



BEAMZ
MADE
EAZY

151.378 V1.1

BTF200Z

QUICK START GUIDE

CONTROL MENU

Menu		Description
DMX Addr	d001-d512	DMX address setting
CHnL	2CH	Channel mode
	3CH	
	4CH	
	5CH	
Strb	S.01-s.20	Strobe with speed increasing
uL--	u.000 - u.255	Dimmer
FL--	F.000 - 255	Zoom function
noDE	nod.0	Dimmer speed
	nod.1	
	nod.2	
	nod.3	
	nod.4	
Id	Id01 - Id66	ID address setting
tEnP	-25 ~ 100	Fixture temperature
UEm		Firmware version
rSET	Yes	Reset
	No	
pnnF	1.2-24.0	PWM refresh rate adjustment (KHz)

DMX CHANNELS

2 Channels

Channel	Function	Value	Description
1	Dimmer	000-255	Intensity 0-100%
2	Zoom	000-255	Motorised zoom, from 25° to 65°

3 Channels

Channel	Function	Value	Description
1	Dimmer	000-255	Intensity 0-100%
2	Strobe	000-255	Strobe speed, slow to fast
3	Zoom	000-255	Motorised zoom, from 25° to 65°

4 Channels

Channel	Function	Value	Description
1	Dimmer	000-255	Intensity 0-100%
2	Strobe	000-255	Strobe speed, slow to fast
3	Zoom	000-255	Motorised zoom, from 25° to 65°
4	Dimmer mode	000-005	No function
		006-055	Dimmer mode 0, no delay
		056-105	Dimmer mode 1
		106-155	Dimmer mode 2
		156-205	Dimmer mode 3
		206-255	Dimmer mode 4

5 Channels

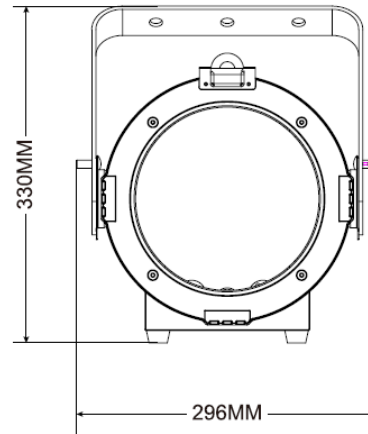
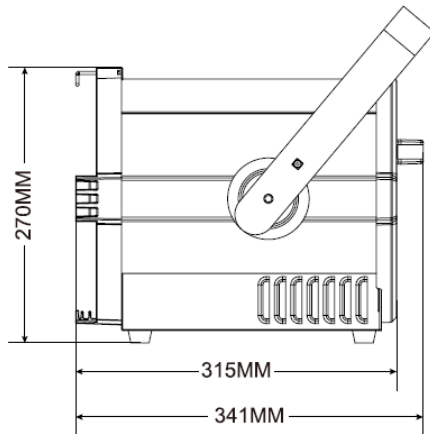
Channel	Function	Value	Description
1	Dimmer	000-255	Intensity 0-100%
2	Strobe	000-255	Strobe speed, slow to fast
3	Zoom	000-255	Motorised zoom, from 25° to 65°
4	Dimmer mode	000-005	No function
		006-055	Dimmer mode 0, no delay
		056-105	Dimmer mode 1
		106-155	Dimmer mode 2
		156-205	Dimmer mode 3
		206-255	Dimmer mode 4
5	ID address	000-009	All ID ID1 to ID
		010-019	ID1
		020-029	ID2
		030-039	ID3
		See table later in this manual

Detailed ID Addressing by DMX channel 5 in mode "5 Channels".

Value	Description	Value	Description	Value	Description
000-009	All ID1-ID66	212	ID23	234	ID45
010-019	ID1	213	ID24	235	ID46
020-029	ID2	214	ID25	236	ID47
030-039	ID3	215	ID26	237	ID48
040-049	ID4	216	ID27	238	ID49
050-059	ID5	217	ID28	239	ID50
060-069	ID6	218	ID29	240	ID51
070-079	ID7	219	ID30	241	ID52
080-089	ID8	220	ID31	242	ID53
090-099	ID9	221	ID32	243	ID54
100-109	ID10	222	ID33	244	ID55
110-119	ID11	223	ID34	245	ID56
120-129	ID12	224	ID35	246	ID57
130-139	ID13	225	ID36	247	ID58
140-149	ID14	226	ID37	248	ID59
150-159	ID15	227	ID38	249	ID60
160-169	ID16	228	ID39	250	ID61
170-179	ID17	229	ID40	251	ID62
180-189	ID18	230	ID41	252	ID63
190-199	ID19	231	ID42	253	ID64
200-209	ID20	232	ID43	254	ID65
210	ID21	233	ID44	255	ID66
211	ID22				

TECHNICAL SPECIFICATIONS

Rated voltage	: 100-240VAC, 50-60Hz, 1.5-0.8A
LED	: 200Watt
Colour temperature	: 3200K
Beam angle	: 15°-60°
Illuminance	: 35.750lx
Flash rate	: 1-19Hz
DMX channels	: 2, 3, 4 and 5 via 3-pin XLR
Dimensions per unit	: 341 x 296 x 270mm
Weight (per unit)	: 9.4 kg



Design and product specifications are subject to change without prior notice.

European Union

Tronios B.V.,
Bedrijvenpark Twente Noord 18,
7602KR Almelo, The Netherlands

2014/35/EU
2014/30/EU
2011/65/EC



United Kingdom

Tronios Ltd.,
130 Harley Street,
London W1G 7JU, United Kingdom

S.I. 2016:1101
S.I. 2016:1091
S.I. 2012:3032





A series of horizontal dotted lines spanning the width of the page, intended for handwriting practice. There are 20 lines in total, evenly spaced from top to bottom.



A series of horizontal dotted lines spanning the width of the page, providing a guide for handwriting practice.



BEAMZ

**YOUR FUTURE
YOUR SKILLS
YOUR PLATFORM
YOUR PARTY
YOUR EVENT**



offers a wide range of high performance lighting equipment and related accessories for the rental, entertainment and architectural lighting markets. BeamZ Pro stands for performance, innovation and value pricing!

