

RD *Power Dynamics* *Professional Audio*

B-SERIE

171.193

171.194



PDA-B1500 2x 750W
PDA-B2000 2x 1000W

Important Safety Information

WARNING:

TO PREVENT FIRE OR SHOCK HAZARD, DO NOT EXPOSE THIS APPLIANCE TO RAIN OR MOISTURE.

CAUTION:

1. Handle the power supply cord carefully. Do not damage or deform the power supply cord. If it is damaged or deformed, it may cause electric shock or malfunction when used. When removing from wall outlet, be sure to remove by holding the plug attachment and not by pulling the cord.
2. In order to prevent electric shock, do not open the top cover. If a problem occurs, contact your dealer.

3. Do not place metal objects or spill liquid inside the unit. Electric shock or malfunction may result.

USE OF CONTROLS OR ADJUSTMENTS OR REFORMATION OF PROCEDURES OTHER THAN THOSE SPECIFIED HEREIN MAY RESULT IN HAZARDOUS RADIATION EXPOSURE. THE UNIT SHOULD NOT BE ADJUSTED OR REPAIRED BY ANYONE EXCEPT PROPERLY QUALIFIED SERVICE PERSONNEL DOUBLE INSULATED. WHEN SERVICING, USE ONLY IDENTICAL REPLACEMENT PARTS.



CAUTION: TO REDUCE THE RISK OF ELECTRIC SHOCK, DO NOT REMOVE THE COVER (OR BACK) . THERE ARE NO SERVICEABLE PARTS INSIDE. REFER SERVICING TO QUALIFIED SERVICE PERSONNEL.



The lightning flash with arrowhead symbol, within an equilateral triangle, is intended to alert the user to the presence of an insulated "dangerous voltage" within the product's enclosure that may be of sufficient magnitude to constitute a risk of electric shock to persons.



The exclamation point within an equilateral triangle is intended to alert the user to the presence of important operating and maintenance (servicing) instructions in the literature accompanying the appliance.

NOTE:

This unit may cause interference to radio and television reception

Important Safety Instructions

1. Read Instructions – All the safety and operating instructions should be read before this product is operated.
2. Retain Instructions - The safety and operating instructions should be retained for future reference.
3. Heed Warnings - All warnings on the appliance and in the operating instructions should be adhered to.
4. Follow Instructions - All operating and use instructions should be followed.
5. Improper installation can cause serious damage to people and property.

6. Water and Moisture - The appliance should not be used near water - for example, near a bathtub, washbowl, kitchen sink, laundry tub, in a wet basement, or near a swimming pool, and the like.

7. Carts and Stands - The appliance should be used only with a cart or stand that is recommended by the manufacturer. An appliance and cart combination should be moved with care.



Quick stops, excessive force, and uneven surfaces may cause the appliance and cart combination to overturn.

8. Wall or Ceiling Mounting - The product should be mounted to a wall or ceiling only as recommended by the manufacturer.

9. Heat - The appliance should be situated away from heat sources such as radiators, heat registers, stoves, or other appliances (including amplifiers) that produce heat.

10. Power Sources – This product should be operated only from the type of power source indicated on the making label. If you are not sure of the type of power supply to your home, consult your product dealer or local power company. For products intended to operate from battery power, or other sources, refer the operating instructions.

11. Power-Cord Protection - Power-supply cords should be routed so that they are not likely to be walked on or pinched by items placed upon or against them, paying particular attention to the cord in correspondence of plugs, convenience receptacles, and the point where they exit from the appliance.

12. Cleaning - The appliance should be cleaned only as recommended by the manufacturer. Clean by wiping with a cloth slightly damp with water. Avoid getting water inside the appliance.

13. Non-use Periods - The power cord of the appliance should be unplugged from the outlet when left unused for a long period of time.

14. Object and Liquid Entry - Care should be taken so that objects do not fall and liquids are not spilled into the enclosure through openings.

15. Damage Requiring Service - The appliance should be serviced by qualified service personnel when:

- A. The power-supply cord or the plug has been damaged; or
- B. Objects have fallen, or liquid has been spilled into the appliance; or
- C. The appliance has been exposed to rain; or
- D. The appliance does not appear to operate normally or exhibits a marked change in performance; or
- E. The appliance has been dropped, or the enclosure damaged.

16. Servicing - The user should not attempt any service to the appliance beyond that described in the operating instructions. All other servicing should be referred to qualified service personnel.

17. Ventilation – Slots and openings in the cabinet are provided for ventilation and to ensure reliable operation of the product and to protect it from overheating, and these openings must not be blocked or covered. The openings should never be blocked by placing the product on a bed, sofa, rug, or other similar surface. This product should not be placed in a built-in installation such as a bookcase or rack unless proper ventilation is the manufacturer's instructions have been adhered to.

18. Attachments – do not use attachments not recommended by the product manufacturer as they may cause hazards.

19. Accessories – Do not place this product on an unstable cart, stand, tripod, bracket, or table. The product may fall, causing serious injury to a child or adult, and serious damage to the product. Use only with a cart, stand, tripod, bracket, or table recommended by the manufacturer, or sold with the product. Any mounting of the product should follow the manufacturer's instructions, and should use a mounting accessory recommended by the manufacturer.

20. Lightning – For added protection for this product during a lightning storm, or when it is left unattended and unused for long periods of time, unplug it from the wall outlet and disconnect the antenna or cable system. This will prevent damage to the product due to lightning and power-line surges.

21. Replacement Parts – When replacement parts are required, be sure the service technician has used replacement parts specified by the manufacturer or have the same characteristics as the original part. Unauthorized substitutions may result in fire, electric shock, or other hazards.

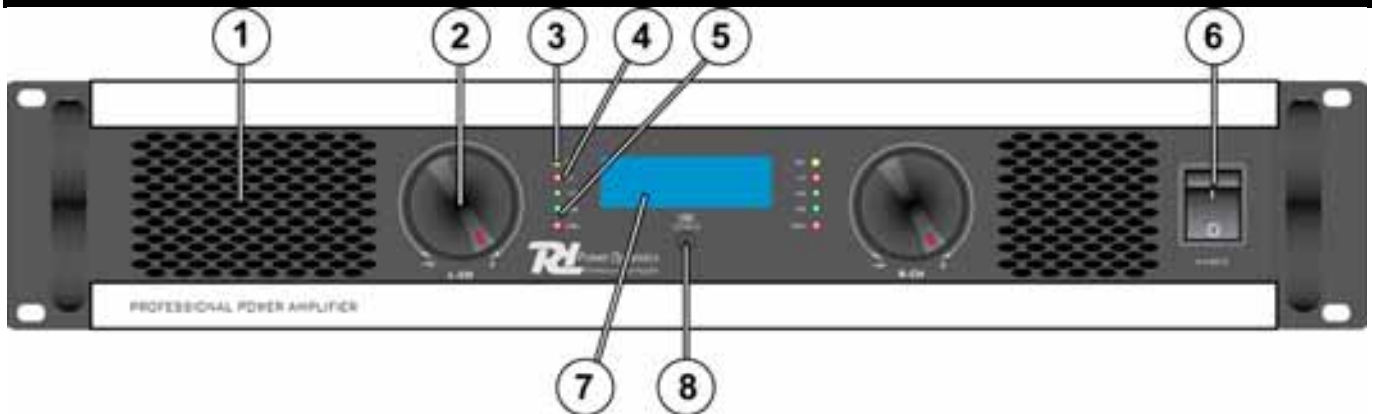
22. Safety Check – Upon completion of any service or repairs to this product, ask the service technician to perform safety checks to determine that the product is in proper operating condition.

Features

Power Dynamics Professional stereo audio amplifier featuring high output power and excellent value for money. The CPA range of amplifiers are ideal for the starting DJ, smaller fixed installations in pubs, clubs canteens etc. or as a complement in larger disco installations.

- Blue LCD display for temperature, operating mode, output power, protection and audio level indication.
- Active crossover, highpass or lowpass.
- Outstanding sound quality
- Protection against high temperatures
- Stereo and bridge mode
- Signal, Clip & Protect indication for each channel
- Inputs via XLR & 6.3mm jack
- Speaker NL4 & binding post outputs
- Temperature controlled cooling fans

Front Panel Features



1. Cooling Vents.

Front to rear forced airflow.

2. Volume Controls.

These controls adjust the volume level of both channels. Turn slightly to the left when the clip indicators (4) light up.

3. Protect Indication.

When on any given point, something damaging might occur to your amplifier, it will switch in protect mode. The amplifier will disconnect the point where the damage is about to occur and switch on the protection led to indicate to you that something is wrong. Reasons might be: Bad ventilation, A low impedance (< 4 Ohm), Defect fan(s), A short circuit in cables.

4. Clip Indication.

These LEDs will light up when one or both channels are on max power. It can occur that these LEDs will lit up now and then, this is not a problem. But if it lights up continually you need to adjust the volume down, otherwise permanent damage to equipment might occur

5. Signal indicators.

Three green LEDs indicate the amplifiers output signal levels.

6. On/Off Switch.

For switching the amplifier on and off. Always adjust the volume down to its minimum before switching this amplifier on.

7. Blue LCD display

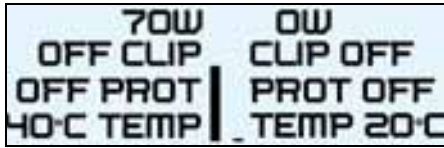
Information of the operation mode and parameters.

8. LOAD 2/4/8 Ohm

Select the speaker load for the correct calculation of the output power.

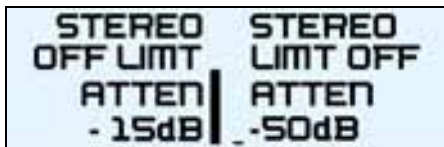
DISPLAY

Standard indication:



- Line-1: Output power of both output channels. Amplifier calculated the output power.
NOTE: Select the correct load impedance (button 8)
Calculation not 100% correct in bridge operatio
- Line-2: If CLIP ON the amplifier input/output is overloaded. Reduce in that case the input level.
- Line-3: Protection information.
- Line-4: Tempeture of the output stage of both channels
- Bargraph: Vertical bargraph in the middle of LCD display indication the output signal level of both channels

Indication for a few seconds after actuating a volume controller:



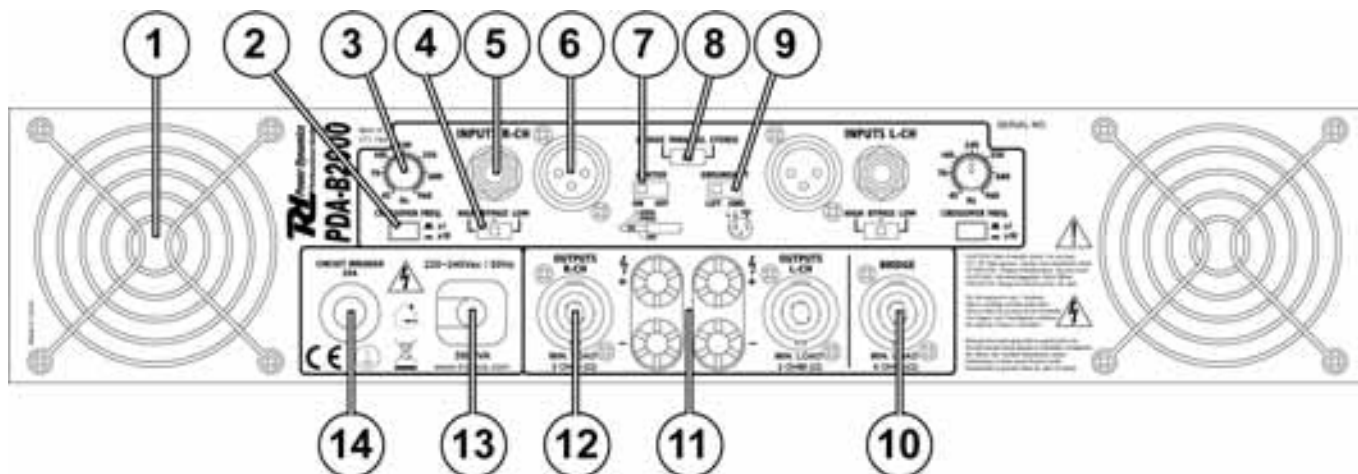
- Line-1: Operation mode STEREO, BRIDGE or PARALL
- Line-2: Limiter ON or OFF
- Line-3 & 4: ATTEN, attenuation of the input signals, line 4 shows the level.
- Bargraph: Vertical bargraph in the middle of LCD display indication the output signal level of both channels

Indication for a few seconds after selection the output impedance button (8):



Selected the correct output load for the calculation of the output power.

Rear Panel Features



1. Cooling Vents.

Front to rear forced airflow.
Do not obstruct air vents.

WARNING! Do not use switch 2 or 4 during operation. Only switch them when amplifier is switch off!

2. Crossover Frequency Range

Selector to select the range of the filter frequency.
x1 = 45-960Hz, x10 = 450-9600Hz

3. Crossover Frequency

Adjust the crossover frequency.

4. Filter Selection Switch

HIGH= High pass filter
LOW= Low pass filter
BYPASS= No filter, full range

5. Unbalanced 6.3mm Stereo Jack inputs.

Two 6.3mm jack female input connector for connecting a signal source (mixer etc.).

6. Balanced XLR inputs.

Two 3-pin female XLR input connector for connecting a signal source (mixer etc.).

7. Limiter Switch

Limiter for the automatic level limitation.

8. Mode Switch.

The amplifier can use 3 different modes: stereo, bridge & parallel (mono). Choose one of these functions:

Stereo mode: Standard left/right stereo

mode.

Bridge mode: This mode combines both amps on one channel which results in double power on this channel. Connects the signal to the left input channel and the output level can now be adjusted with the left volume control.

9. Ground Lift Switch.

Allows circuit and chassis grounds to be separated in case of problems with earth loops (hum).

10. Bridge Speaker Outputs NL4.

Minimum load in bridge mode 4 Ohm. Pin +1 & +2 = + output, Pin -1 & -2 = - output

11. Binding Post Output Jacks.

Minimum load in stereo mode 2 Ohm per channel. Minimum load in bridge mode 4 Ohm.

12. Stereo Speaker Outputs NL4.

Minimum load in stereo mode 2 Ohm. Pin +1 & +2 = + output, Pin -1 & -2 = - output.

13. Mains Power Cable

To connect to a mean power socket (220-240Vac / 16A)

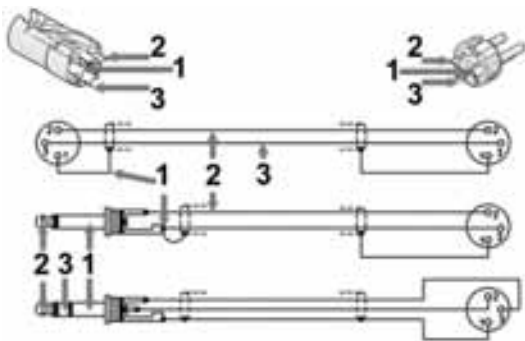
14. Circuit Breaker

This main fuse secures the amplifier and wires against defects. To reset the breaker press down the button with the unit switched off.

Installation

Connecting Input

Both inputs are balanced. If a balanced output is unavailable, you can also use a unbalanced one, connect pin 3 – with pin1 mass (see below). Unbalanced line may result in noise over long cable runs.



1= earth / mass, 2=signal +, 3=signal -

Connecting Output

Make sure the amplifier is turned off before you wire the system. Speakers can be connected using speaker NL4 plugs or bare wire for your binding post output connectors. Using the guidelines below select the appropriate size of wire bases on the distance between the amplifier and speaker.

Distance	Wire Size
<10m	1.5mm ²
>10m <20m	2.5mm ²
>20m <30m	4.0mm ²

NOTE: Never connect a hot (+) output to ground or (-) output and never connect the hot (+) to other hot outputs!

Connect to mains power

Before plugging the unit in always make sure that the power supply matches the product specification voltage. First connect the IEC end of the cordset to the IEC connector on the amplifier then plug the other end of the cordset to the AC mains.

Please read instructions below for reliable and problem free use:

- Be sure all connections made are made in the correct way.
- Check if the connected speakers are compatible with the amplifier.
- Ensure there is adequate ventilation.
- Prevent exposure to moisture.
- Never plug speakers in/or out while in use, this can result in serious damage.

Specifications

Specification	PDA-B1500	PDA-B2000
Ref. No.	171.193	171.194
4 Ohm Stereo Power (RMS)	2x 750W	2x 1000W
8 Ohm Stereo Power (RMS)	2x 500W	2x 600W
2 Ohm Stereo Power (RMS)	2x 1000W	2x 1500W
8 Ohm Bridge Power (RMS)	1500W	2000W
4 Ohm Bridge Power (RMS)	2000W	2800W
Frequency Response	10Hz – 50kHz (± 1.5 dB)	
Input Sensitivity	770mV	
Maximum Input Level	21dBv/9v	
Input Impedance	20kOhm	
Signal/Noise Ratio A-weighted RMS	>95dB	
Crosstalk @ Rated Output Power 8 Ohm / 1kHz	>105dB	
Damping Factor @ 8 Ohm / 1kHz	>500	
Slew Rate Internal	60V/ μ S	
Protection	Short Circuit, Current Limited, DC Fault, AC Line Fuse, Thermal Cut Off, Power Up/Down, Slow Start	
Power Supply	220-240Vac, 50Hz	
Dimensions (bxhxd)	482 x 380 x 88mm (19" x 2U)	
Weight	23kg	24kg

Note: Specifications and design are subject to change without notice for purpose of improvement.



Electric products must not be put into household waste. Please bring them to a recycling centre. Ask your local authorities or your dealer about the way to proceed.

WARRANTY CONDITIONS

The date the product leaves the importer is considered to be the date the warranty begins. The law obliges the retailer to offer a two year warranty to the enduser.

Only companies approved by **Tronios** are allowed to work on the equipment.

During warranty period (defective) equipment must be returned to the dealer by pre-paid mail in the original box.

Potentiometers have a limited lifetime and are not covered by the manufacturer for more than normal use. For all service enquiries, refer to your local distributor, as he is best able to help you.

Veiligheidsinformatie

WAARSCHUWING:

OM BRAND OF ELEKTRISCHE SCHOKKEN TE VOORKOMEN, DIENT U DIT APPARAAT NIET BLOOT TE STELLEN AAN REGEN OF VOCHT.

LET OP:

1. Wees voorzichtig met het netsnoer en beschadig deze niet. Als het snoer kapot of beschadigd is, kan dit leiden tot elektrische schokken of defecten. Als u de stekker uit het stopcontact neemt, trek dan niet aan het snoer, maar aan de stekker.
2. Open de behuizing nooit, dit om elektrische schokken te voorkomen. Als er problemen zijn, neem dan contact op met uw dealer.
3. Plaats geen metalen objecten en mors geen vloeistof in het product. Dit kan leiden tot elektrische schokken of defecten.



Belangrijke Veiligheidsinstructies

- Lees de **instructies** – Alle veiligheids- en gebruikersinstructies moeten doorgelezen worden **vóór gebruik**.
- Bewaar de instructies – Bewaar de veiligheids- en gebruikersinstructies voor toekomstig gebruik.
- Lees de waarschuwingen aandachtig door – Houd u aan de voorschriften en waarschuwingen.
- Volg de instructies op – De gebruiker dient zich aan alle gebruikersinstructies te houden.
- Water en vocht – Het product mag niet gebruikt worden in de buurt van water – bv. bij een bad, wasmachine, wastafel, in een natte kelder, bij een zwembad, vochtige ruimtes, etc.
- Vervoer en standaards – Gebruik voor dit product alleen vervoermiddelen en standaards die door de fabrikant worden aanbevolen. Verplaats dit product met grote zorg; snel stoppen, teveel kracht en niet vlakke ondergrond kunnen er voor zorgen dat het product en het vervoermiddel gaan kantelen, wees dus voorzichtig!
- Hitte – Het product mag niet gebruikt worden in de buurt van hittebronnen zoals radiatoren, fornuizen, boilers of andere apparaten (ook versterkers) die hitte produceren.
- Spanning – dit product mag alleen van die spanning worden voorzien zoals is aangegeven op het label aan de achterzijde. Bent u niet zeker, neem dan contact op met uw dealer of lokaal energiebedrijf. Sluit het product alléén aan op een 220-240VAC / 50Hz (geaard) stopcontact, verbonden met een 10-16A meterkastgroep.
- Netsnoer – Deze dient op een zodanige manier te worden geplaatst dat er niet overheen kan worden gelopen en deze niet wordt bekneld door andere apparaten. Verwijder of plaats een stekker nooit met natte handen resp. uit en in het stopcontact.
- Reinigen – Het product mag alleen schoongemaakt worden op de manier die de fabrikant u aanbeveelt: Neem het af met een licht vochtige doek. Tracht het product niet schoon te maken met chemische oplossingen. Voorkom dat er water/vloeistof in het product lekt.
- Het netsnoer moet zijn losgekoppeld van het stopcontact wanneer het product voor een lange tijd niet gebruikt (gaat) wordt(en).
- Voorwerpen en vochtinname – Er moet met grote zorgvuldigheid op worden gelet dat er geen water of kleine voorwerpen door de openingen van de behuizing van het product vallen. Dit kan leiden tot serieuze schade aan het product. Ook kan men een **electrische schok** krijgen. **Dit is levensgevaarlijk!!**
- Reparaties – Het product dient door gekwalificeerde personen te worden gerepareerd als o.a.:
 - A. Het netsnoer kapot of beschadigd is; of
 - B. Er objecten of vocht in het product zijn gekomen; of
 - C. Het product is blootgesteld aan regen; of
 - D. Het product niet meer normaal functioneert, of de prestaties slecht zijn; of
 - E. Het product is gevallen of de behuizing beschadigd is.

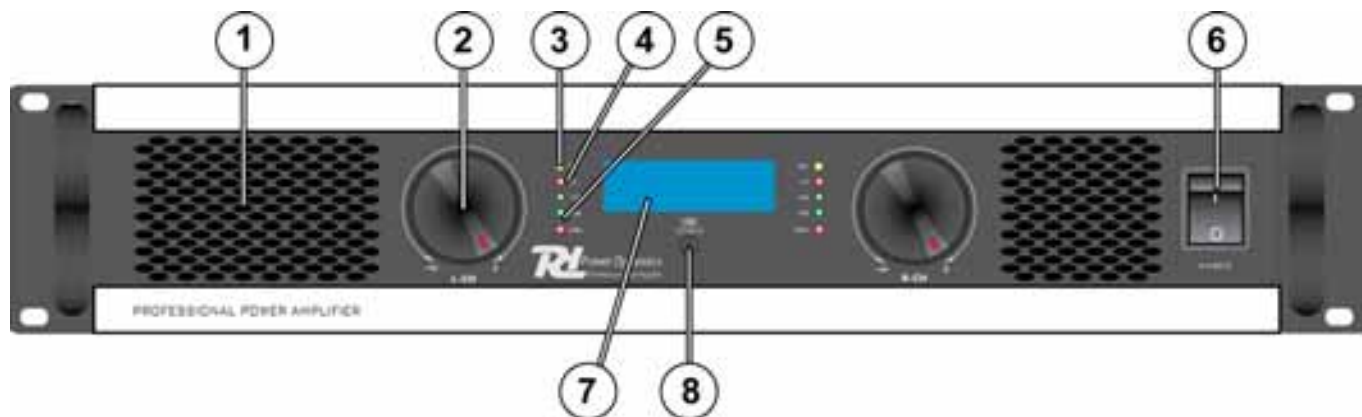
- Onderhoud – De gebruiker mag niet meer onderhoud verrichten dan dat er in de veiligheidsinstructies staat. Verder onderhoud moet worden verricht door gekwalificeerd personeel.
- Ventilatie – Gaten en openingen in de behuizing zijn aangebracht voor ventilatie van het product. Dit vanwege het garanderen van goede resultaten en het tegengaan van overhitting. Blokkeer deze openingen nooit door ze op een bed, tapijt, bank etc. te plaatsen. Plaats dit product nooit in een kast of rek, tenzij er goede ventilatie is en de voorschriften worden nageleefd.
- Bij sommige modellen is de stekker voorzien van een overspanningsbeveiliging ; bij vervanging een identieke stekker monteren.
- Accessoires – Plaats dit product niet op een onstabiele ondergrond, standaard, beugel, tafel of driepoot. Het product kan dan vallen en erge verwondingen veroorzaken aan personen, én het product kan zwaar worden beschadigd. Gebruik alleen accessoires die worden aangeraden door de fabrikant of worden verkocht in combinatie met het product. Monteren moet gebeuren m.b.v. instructies van de fabrikant en met de door de fabrikant aangeraden bevestigingsmaterialen.
- Bliksemingslag – Als het product een lange tijd niet gebruikt wordt, trek dan de stekker uit het stopcontact. evt. ook antenne of kabelsystemen. Dit zal voorkomen dat er schade wordt veroorzaakt bij bliksemingslagen en piekspanningen op het elektriciteitsnet.
- Vervanging van onderdelen – Als er vervangende onderdelen nodig zijn, wees er dan zeker van dat de reparateur originele reserve onderdelen installeert, of onderdelen met dezelfde karakteristieken. Verkeerde verwisselingen kunnen resulteren in brand, elektrische schokken , ongewenste straling of andere gevaren.
- Veiligheidscontrole – Na een reparatie of onderhoud van dit product door derden dient u de leverancier te vragen of deze het product wil gaan testen op veiligheid. Dit om vast te stellen dat het product in een goede staat verkeert en goed functioneert.
- Indien het product zo beschadigd is dat inwendige (onder)delen zichtbaar zijn mag de stekker NOOIT in het stopcontact worden geplaatst én het product NOOIT worden ingeschakeld. Neem in dit geval contact op met de dealer.
- Als u het product een tijd lang niet gebruikt heeft en het weer wil gebruiken kan er condens ontstaan; laat het product eerst op kamertemperatuur komen alvorens het weer in werking te stellen.
- Om ongevallen in bedrijven te voorkomen móét rekening worden gehouden met de daarvoor geldende richtlijnen en moeten de aanwijzingen/waarschuwingen worden gevolgd.
- Het product buiten bereik van kinderen houden.
- Gebruik geen overmatige kracht bij het bedienen van de schakelaars en knoppen.
- Indien zowel de stekker en/of netsnoer als snoeringang in het product beschadigd zijn dient dit door een vakman hersteld te worden.
- In het product bevinden zich onder spanning staande onderdelen; open daarom NOOIT dit product.
- Wanneer het product aan de muur bevestigd moet worden dient eerst zorgvuldig berekend te worden of het plateau en muurbeugels deze wel kunnen dragen. Kunt u het niet berekenen schakel dan vakbekwaam personeel in.

Kenmerken

Power Dynamics Professionele stereo audio-versterkers hebben de volgende kenmerken :

- Blauw LCD Display
- Hoog uitgangsvermogen
- Buitengewone geluidskwaliteit
- Temperatuurbeveiliging
- Stereo en Bridge Mode
- Signaal, Clip & Protect -indicator voor elk kanaal
- XLR & 6.3mm jack ingangen
- Luidspreker NL4 & schroefaansluitingen
- Temperatuur afhankelijke ventilatoren

VOORZIJD



1. Koeling.

Rooster voor geforceerde koeling van de luchtstroom.

2. Volume-regelaars.

Regelaars voor beide kanalen. Wanneer de clip indicatoren (4) branden dienen de regelaars linksom te worden gedraaid.

3. Protect-indicator.

Wanneer er iets defect raakt in de versterker zal deze in protect mode gaan en zullen de LED(s) gaan branden. Oorzaak kan zijn: Slechte ventilatie, een lagere impedantie dan 4 Ohm, defecte ventilator(en), kortsluiting (ook in de bekabeling).

4. Clip-indicator.

Deze LEDs gaan branden wanneer de versterker aan het maximum van z'n vermogen zit, de versterker gaat dan vervormen. De volume regelaars dienen

dan onmiddellijk lager (minimum) gedraaid te worden. Soms gaan deze LEDs aan en uit, dit kan nóg geen probleem zijn.

5. Signaal-indicatoren.

Deze LEDs geven aan wanneer er audiosignalen aanwezig zijn..

6. Netschakelaar.

Voor het inschakelen van de versterker. Altijd de volume regelaars op minimum zetten alvorens de versterker in te schakelen.

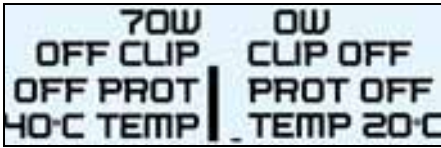
7. Blauw LCD Display

8. Belasting 2/4/8 Ohm.

Selecteer de belasting die overeenkomt met de impedantie van de luidsprekers.

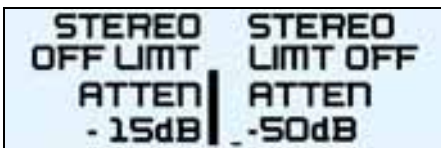
DISPLAY

Standaard indicatie:



- Lijn-1: Hier staat het uitgangsvermogen van beide kanalen door de versterker berekent.
NB: Selecteer de juiste impedantie (toets 8 aan voorzijde)
- Lijn-2: Als hier staat “CLIP ON” is het kanaal overbelast. Zet volumeregelaar(s) op een lager niveau.
- Lijn-3: Als hier staat “PROT ON” is het kanaal in protectie.
- Lijn-4: Hier is de temperatuur van beide kanalen weergegeven.
- Bargraph: Het niveau (verticale balk) van het uitgangssignaal van beide kanalen wordt in het midden van de LCD display weergegeven.

Weergave gedurende een paar seconden indien aan de volumeregelaar wordt gedraaid:



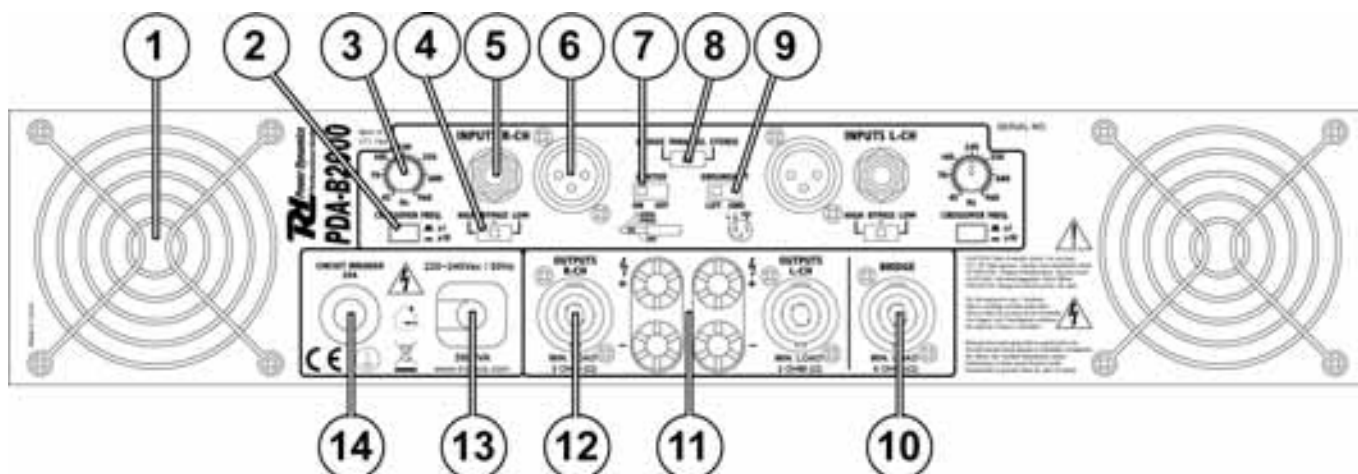
- Lijn-1: Mode STEREO of BRIDGE wordt hier weergegeven.
- Lijn-2: Limiter (begrenzer) ON (Aan) of OFF (Uit).
- Lijn-3 & 4: ATTEN = het ingangsniveau van beide kanalen, deze worden in lijn 4 weergegeven.
- Bargraph: Het niveau (verticale balk) van het uitgangssignaal van beide kanalen wordt in het midden van de LCD display weergegeven.

Gedurende een paar seconden wordt de uitgangsimpedantie weergegeven die met toets 8 wordt ingesteld:



De versterker heeft deze instelling nodig om het uitgangsvermogen te berekenen.

ACHTERZIJDE

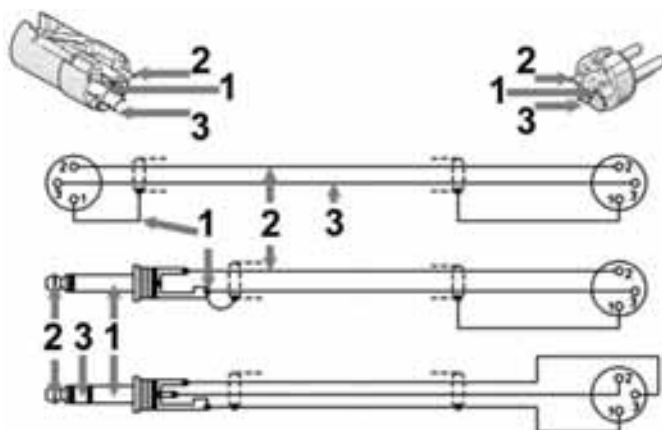


1. **Ventilator-opening.**
Ventilator-opening voor het geforceerd koelen van de luchtstroom.
2. **Cross-over schakelaar.**
x1=45-960Hz, x10=450-9600Hz
3. **Instellen cross-over frequentie.**
4. **Filter selectieschakelaar.**
5. **Ongebalanceerde 6.3mm Stereo Jack -ingangen.**
Twee 6.3mm stereo jack -ingangen om een audiobron op aan te sluiten (mixer etc.).
6. **Gebalanceerde XLR -ingangen.**
Twee 3-pin XLR -ingangen om een audiobron op aan te sluiten (mixer etc.).
7. **Limiter Schakelaar**
Schakelaar voor automatische begrenzing van het signaal.
8. **Mode Schakelaar.**
De versterker kent 3 verschillende modes: stereo, bridge & parallel (mono) :
Stereo mode: Standaard Links / Rechts stereo mode.
Bridge mode: Deze mode combineert beide versterkers met één uitgang, hetgeen resulteert in een dubbel uitgangs-vermogen op die uitgang. Het vermogen kan worden geregeld met de linker volume-regelaar.
9. **Ground Lift Schakelaar.**
Om massa van het chassis te scheiden in geval van een aardlus (hum).
10. **Bridge NL4 uitgang.**
In bridge mode is de uitgangs-impedantie 4 Ohm per kanaal.
Pin +1 & +2 = + uitgang, Pin -1 & -2 = - uitgang
11. **Schroefaansluitingen.**
Luidspreker-uitgangen : 4 Ohm per kanaal. In bridge mode 8 Ohm.
12. **Stereo NL4 uitgang.**
In stereo mode is de uitgangs-impedantie 2 Ohm per kanaal.
Pin +1 & +2 = + uitgang, Pin -1 & -2 = - uitgang
13. **Netentree.**
Netsnoer ingang
14. **20A Automatische zekering**

Installatie

Ingangen

Beide ingangen zijn gebalanceerd. Als een gebalanceerde uitgang niet beschikbaar is, kan ook een ongebalanceerde gebruikt worden, verbind pin 3 – met pin1 massa (zie hieronder). Ongebalanceerde kabels/snoeren kunnen noise veroorzaken over lange afstand.



1= aarde / massa, 2=signaal +, 3=signaal –

Aansluiten van de uitgang

Zorg er voor dat de versterker uitgeschakeld is tijdens de bekabeling van de installatie. Luidsprekers kunnen worden aangesloten m.b.v. NL4 connectoren of via schroefaansluitingen. Gebruik onderstaande informatie voor het bepalen van de dikte van de aansluitsnoeren:

Afstand(m)	Dikte(mm ²)
<10m	1.5mm ²
>10m <20m	2.5mm ²
>20m <30m	4.0mm ²

Sluit de luidsprekers aan op de positieve (+) uitgangen van beide uitgangen **en nooit op de (-) of massa**. Gebruik de (–) negatieve uitgangen **nooit** in Bridge Mode.

Netaansluiting

Zorg er voor dat de aangegeven netspanning op de achterkant van de versterker overeenkomt met de aangeboden netspanning. Sluit het netsnoer eerst aan op de versterker, zet alle volume-regelaars op minimum, zet de netschakelaar van de versterker in de Uit-stand en steek dan pas de stekker in de wandcontactdoos (stopcontact). Zet de versterker aan.

Lees eerst onderstaande informatie:

- Zorg er voor dat de bekabeling juist is aangesloten!
- Zijn de luidsprekers geschikt voor deze versterker?
- Nooit ventilatiegaten afdekken!
- Voorkom blootstelling aan regen en/of vocht!
- Verwijder nooit de luidsprekersnoeren tijdens gebruik!

Specificaties

Specification	PDA-B1500	PDA-B2000
Ref. No.	171.193	171.194
4 Ohm Stereo Power (RMS)	2x 750W	2x 1000W
8 Ohm Stereo Power (RMS)	2x 500W	2x 600W
2 Ohm Stereo Power (RMS)	2x 1000W	2x 1500W
8 Ohm Bridge Power (RMS)	1500W	2000W
4 Ohm Bridge Power (RMS)	2000W	2800W
Frequentie bereik	10Hz – 50kHz (± 1.5 dB)	
Ingangsgevoeligheid	770mV	
Maximum ingangsniveau	21dBv/9v	
Ingangs Impedantie	20kOhm	
Signal/Noise Ratio	>95dB	
Crosstalk @ 8 Ohm / 1kHz	>105dB	
Damping Factor @ 8 Ohm / 1kHz	>500	
Slew Rate Intern	60V/ μ S	
Protectie	Short Circuit, Current Limited, DC Fault, AC Line Fuse, Thermal Cut Off, Power Up/Down, Slow Start	
Aansluitspanning	220-240Vac, 50Hz	
Afmetingen (bxhxd)	482 x 380 x 88mm (19" x 2U)	
Gewicht	23kg	24kg

N.B. Veranderingen en modificaties kunnen door de fabrikant worden doorgevoerd zonder u er van in kennis te stellen.

Afgedankte artikelen !!



Raadpleeg eventueel www.wecycle.nl en/of www.vrom.nl v.w.b. het afdanken van elektronische apparaten in het kader van de WEEE-regeling. Vele artikelen kunnen worden gerecycled, gooi ze daarom niet bij het huisvuil maar lever ze in bij een gemeentelijk depot of uw dealer. Lever ook afgedankte batterijen in bij uw gemeentelijk depot of bij de dealer, zie www.stibat.nl.

Garantie is niet van toepassing indien ongelukken of beschadigingen plaatsvinden veroorzaakt door onjuist gebruik of het niet opvolgen van het gestelde (o.a waarschuwingen) in deze handleiding.

Tronios BV kan niet verantwoordelijk worden gehouden voor schade in welke vorm dan ook, indien het gestelde in de handleiding (o.a waarschuwingen) niet wordt gerespecteerd.

Alle (defecte) artikelen dienen gedurende de garantieperiode altijd retour te worden gezonden in de originele verpakking.

Sicherheitshinweise

WARNUNG: UM FEUER- UND STROMSCHLAGGEFAHR ZU VERMEIDEN, DAS GERÄT VOR REGEN UND FEUCHTIGKEIT SCHÜTZEN.

VORSICHT:

1. Behandeln Sie die Netzschnur mit Sorgfalt und beschädigen oder verformen Sie sie nicht. Eine beschädigte oder verformte Netzschnur kann Stromschlag und Defekte verursachen. Beim Abziehen des Steckers aus der Steckdose immer am Stecker anfassen, nie an der Schnur ziehen.
2. Niemals das Gehäuse öffnen, um Stromschlag zu vermeiden. Im Problemfall wenden Sie sich an Ihren Fachhändler.
3. Keine Metallgegenstände oder Flüssigkeiten ins Gehäuse dringen lassen. Sie können zu Stromschlag und Störungen führen.



Wichtige Sicherheitshinweise

Das Gerät niemals auf einen unsicheren Wagen, Ständer, Stativ oder Tisch stellen. Das Gerät kann herunterfallen und Menschen verletzen. Nur mit einem vom Hersteller zugelassenen oder mit dem Gerät zusammen verkauften Wagen, Stativ, Ständer oder Tisch benutzen

Beim Anbringen des Geräts an der Decke oder Wand die Anweisungen des Herstellers befolgen und die vom Hersteller empfohlenen Montagematerialien benutzen.

Wenn das Gerät auf einem Gestell steht, das Ganze vorsichtig bewegen. Plötzliches Bremsen, große Kraftanwendung und unebene Flächen können zum Umkippen führen.

Bitte lesen Sie diese Anleitung sorgfältig vor der Inbetriebnahme durch. Anleitung für spätere Bezugnahme aufbewahren.

Alle Warnhinweise auf dem Gerät und in der Anleitung genau befolgen.

Das Gerät nicht in der Nähe von Wasser benutzen z.B. neben einer Badewanne, Spüle, Waschmaschine, in einem nassen Keller oder in der Nähe eines Swimming Pools.

Das Gerät muss so installiert sein, dass die Belüftung nicht behindert wird. Es darf nicht auf ein Sofa, ein Bett, einen Sessel oder ähnliche Unterlagen gestellt werden, die die Belüftungsöffnungen blockieren können. Nicht in ein geschlossenes Gehäuse wie einen Schrank einbauen, wo die Hitze nicht abgeführt werden kann.

Das Gerät nicht in der Nähe von Wärmequellen wie Heizkörpern, Öfen und ähnlichen Geräten, die Wärme abgeben (Verstärker inbegriffen) aufstellen.

Das Gerät nur an eine Netzsteckdose anschließen, deren Spannung und Frequenz der auf der Rückseite des Geräts angegebenen entspricht.

Das Netzkabel muss so verlegt werden, dass es nicht betreten oder gequetscht werden kann, besonders in der Nähe der Steckdose und am Geräteaustritt.

Vor dem Reinigen den Netzstecker abziehen.

Das Gerät niemals mit Benzin, Verdünnungsmitteln und anderen Lösungsmitteln reinigen. Nur ein weiches, feuchtes Tuch benutzen.

Bei längerem Nichtgebrauch den Netzstecker abziehen.

Das Gerät muss von einem Techniker überprüft werden, wenn:

- ☞ das Netzkabel oder die –schnur beschädigt sind;
- ☞ das Gerät Regen oder anderen Flüssigkeiten ausgesetzt war;
- ☞ das Gerät nicht richtig funktioniert oder eine beachtliche Leistungsänderung aufweist;
- ☞ das Gerät gefallen oder das Gehäuse beschädigt ist.

VERSUCHEN SIE NIE, DAS GERÄT SELBST ZU REPARIEREN. REPARATUREN DÜRFEN NUR VON QUALIFIZIERTEM FACHPERSONAL AUSGEFÜHRT WERDEN.

Nach Durchführung von Wartungs- und Reparaturarbeiten holen Sie sich von dem Reparaturbetrieb die Versicherung ein, dass nur vom Hersteller empfohlene Ersatzteile verwendet wurden, die genau dieselben technischen Daten aufweisen wie die Originalteile, und dass alle Routineüberprüfungen durchgeführt wurden, um die Sicherheit des Geräts zu gewährleisten.

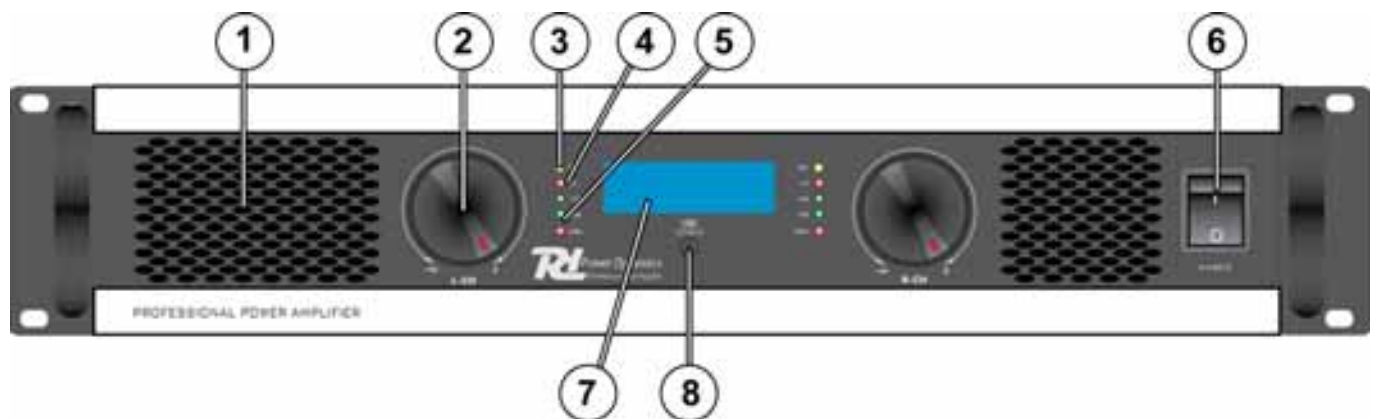
DER GEBRAUCH UNGEEIGNETER ERSATZTEILE KANN FEUER AUSLÖSEN

Merkmale

Professionelle Audio Stereo-Verstärker von Power Dynamics zeichnen sich durch hohe Ausgangsleistung und ein ausgezeichnetes Preis-/Leistungsverhältnis aus. Die CPA Serie ist ideal für den Einsteiger-DJ, kleine Festanlagen in Pubs, Clubs, Kantinen usw. oder als Ergänzung in grösseren Disco Anlagen

- Blaue LCD Anzeige
- Hohe Ausgangsleistung
- Ausgezeichnete Klangqualität
- Hitzeschutz
- Stereo und Brückenbetrieb
- Signal, Clip & Schutzanzeige für jeden Kanal
- XLR & 6.3mm Klinkeneingänge
- NL4 Lautsprecherbuchsen & Schraubanschlüsse
- Temperaturregelte Ventilatoren

FRONTSEITE



1. Belüftungsgitter

Forcierte Kühlung von vorne nach hinten.

2. Lautstärkeregler

Sie regeln die Lautstärke jedes Kanals. Leicht nach links drehen, wenn die Clip Anzeiger (4) aufleuchten.

3. Schutzanzeige

Wenn ein Problem auftritt, das den Verstärker beschädigen könnte, schaltet er in Schutzbetrieb und die 'Protect' LED leuchtet auf. Der Grund kann sein: unzulängliche Belüftung, niedrige Impedanz (<4 Ohm), defekte Ventilatoren, Kurzschluss in den Kabeln.

4. Clip Anzeige

Diese LEDs leuchten auf, wenn einer oder beide Kanäle auf Höchstleistung eingestellt sind. Es kann vorkommen, dass diese LEDs zeitweilig aufleuchten. Das ist kein Problem. Wenn sie aber ständig aufleuchten, müssen Sie die Lautstärke reduzieren, sonst kann der Verstärker dauerhaften Schaden nehmen kann.

5. Signal Anzeige

Diese LEDs zeigen an, wenn ein Audiosignal anliegt.

6. Netzschalter

Zum Ein- und Ausschalten des Verstärkers. Drehen Sie immer die Lautstärke herunter, bevor Sie den Verstärker einschalten.

7. Blaue LCD Display

8. Impedanz Schalter 2/4/8 Ohm

Kontrollieren Sie ob die Impedanz des Lautsprechers 2,4 oder 8 Ohm ist und schalten Sie mit Schalter 8 auf 2/4/8 Ohm.

DISPLAY

Standard Indikation:



Zeile-1: Hier wird die Ausgangsleistung angezeigt der beiden Kanäle, vom Verstärker berechnet.
Hinweis: Selektieren Sie 4 oder 8 Ohm Impedanz (Frontseite taste 8)

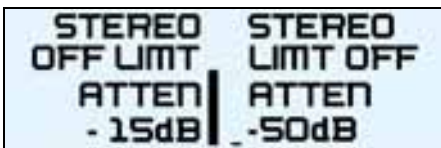
Zeile-2: Bei Überlastung eines Kanals lautet die Anzeige "CLIP ON" . Drehen Sie die Lautstärkeregler auf Minimum.

Zeile-3: Wenn die Anzeige lautet "PROT ON" tritt den Überlastschutz in Kraft.

Zeile-4: Hier wird die Temperatur von beiden Kanälen angezeigt.

Balkendiagramm: Das Niveau (vertikaler Strich) der Ausgang der beiden Kanäle wird in der Mitte des LCD-Displays angezeigt.

Indikation (für ein paar Sekunden) wenn der Lautstärkeregler gedreht wird:



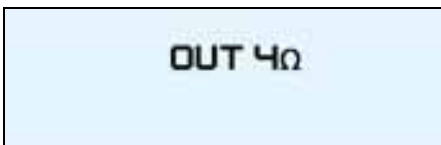
Zeile-1: STEREO oder BRIDGE-Modus wird hier gezeigt.

Zeile-2: Limiter ist ON (Ein) oder OFF (Aus).

Zeile-3 & 4: ATTEN = Eingangspegel der beide Kanäle wird hier gezeigt.

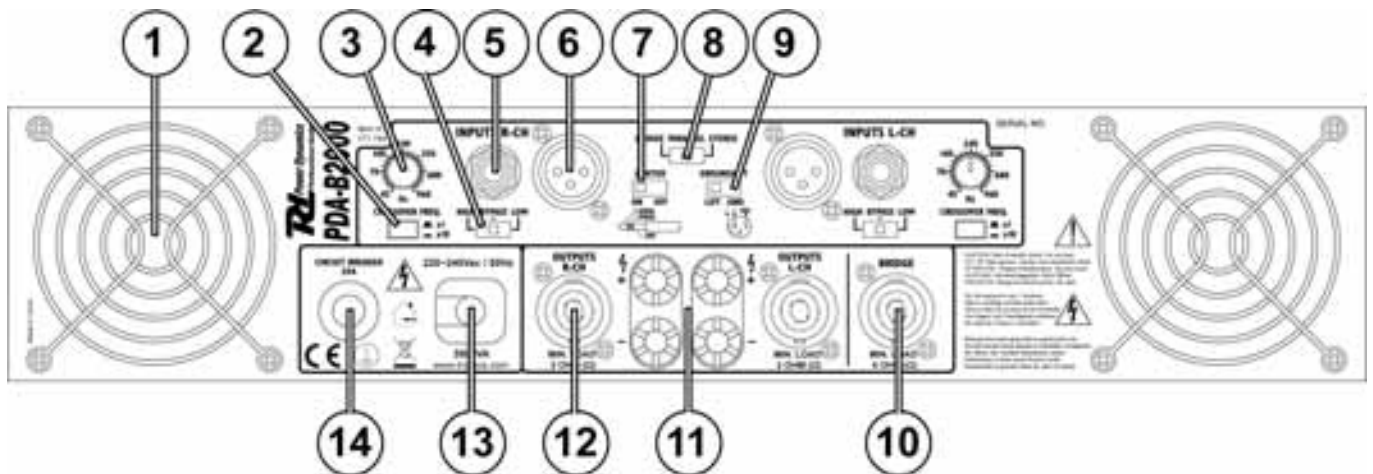
Balkendiagramm: Das Niveau (vertikaler Strich) der Ausgang der beiden Kanäle wird in der Mitte des LCD-Displays angezeigt.

Für ein paar Sekunden wird der Ausgangsimpedanz gezeigt (mit Taste 8 gewählt):



Der Verstärker benötigt die Einstellung um die Ausgangsleistung zu berechnen.

RÜCKSEITE

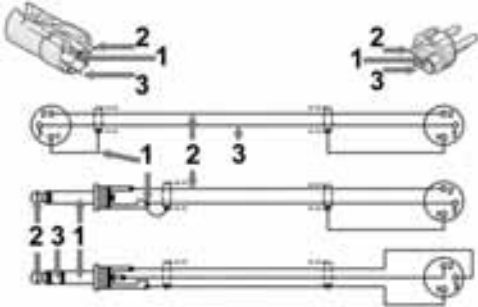


1. **Belüftungsgitter**
Ventilatoröffnung zur Kühlung des Verstärkers.
2. **Cross-over Schalter**
X1=45-960Hz , x10=450-9600Hz
3. **Einstellung Cross-over Frequenz**
4. **Filter wahlshalter**
5. **Asymmetrische 6.3mm Stereo Klinkeneingänge**
Zwei 6,3mm Stereo Klinkenbuchsen zum Anschluss einer Signalquelle (Mischpult usw.).
6. **Symmetrische XLR Eingänge.**
Zwei 3-pol. XLR Eingangsbuchsen zum Anschluss einer Signalquelle (Mischpult usw.)
7. **Limiter Schalter**
8. **Mode Schalter**
Der Verstärker kann in 3 Betriebsarten funktionieren: Stereo, Mono und gebrückt . Wählen Sie eine dieser Betriebsarten:
Stereo Betrieb: Standard Links / Rechts Stereo Betrieb.
Brückenbetrieb: Diese Betriebsart vereinigt beide Kanäle auf einem Kanal, wodurch sich die Leistung dieses Kanals verdoppelt. Schliessen Sie das Signal an den linken Eingangskanal an und der Ausgangspegel kann nun mit dem linken Lautstärkeregler eingestellt werden.
9. **Ground Lift Schalter**
Trennt die Schaltungen von der Masse, falls Probleme mit Erdschleifen auftauchen (Brummgeräusche).
10. **Brückenbetrieb NL4 Ausgang.**
Im Brücken Betrieb beträgt die Lastimpedanz 4 Ohm pro Kanal.
Pin +1 & +2 = + Ausgang, Pin -1 & -2 = - Ausgang
11. **Schraubanschlüsse**
Lautsprecherausgänge: 4 Ohm pro Kanal. Im Brückenbetrieb 8 Ohm.
12. **Stereo NL4 Ausgang.**
Im Brücken Betrieb beträgt die Lastimpedanz 2 Ohm pro Kanal.
Pin +1 & +2 = + Ausgang, Pin -1 & -2 = - Ausgang
13. **Netzkabeleingang**
14. **20 Amp Auto-Sicherung**

Aufbau

Eingänge

Beide Eingänge sind symmetrisch. Wenn kein symmetrischer Ausgang zur Verfügung steht, können Sie auch einen asymmetrischen Ausgang benutzen. Schliessen Sie Pin 3 mit Pin 1 Masse (s.u.) zusammen. Bei einer asymmetrischen Verbindung können bei längeren Kabelwegen Störungen auftreten.



1= Erde/Masse, 2=Signal +, 3=Signal –

Anschluss des Ausgangs

Während der Anschlüsse muss der Verstärker ausgeschaltet sein. Die Lautsprecher können über die NL4 Buchsen oder über Drähte an die Schraubklemmen angeschlossen werden. Wählen Sie in der nachstehenden Tabelle die geeignete Drahtstärke, die der Entfernung zwischen Verstärker und Lautsprecher entspricht.

Abstand(m)	Stärke(mm ²)
<10m	1.5mm ²
>10m <20m	2.5mm ²
>20m <30m	4.0mm ²

Schliessen Sie die Lautsprecher an die positiven (+) Ausgänge beider Ausgänge an **und nicht an die den (-) Ausgang oder die Masse**. Die negativen Ausgänge dürfen im Brückenbetrieb **NICHT** benutzt werden.

Netzanschluss

Bevor Sie den Verstärker ans Netz anschliessen, vergewissern Sie sich, dass die Netzspannung der Versorgungsspannung des Verstärkers entspricht. Schliessen Sie erst das IEC Ende ans Gerät an und dann den Netzstecker.

Lesen Sie bitte nachstehende Anweisungen, um einen zuverlässigen und problemlosen Betrieb zu gewährleisten:

- Achten Sie darauf, dass alle Kabel richtig angeschlossen sind!
- Prüfen Sie, ob die Lautsprecher für diesen Verstärker geeignet sind!
- Niemals die Belüftungsgitter abdecken!
- Vor Regen und Feuchtigkeit schützen!
- Lautsprecherkabel nicht während des Betriebs einstecken oder abziehen!

Technische Daten

Specification	PDA-B1500	PDA-B2000
Ref. No.	171.193	171.194
4 Ohm Stereo Power (RMS)	2x 750W	2x 1000W
8 Ohm Stereo Power (RMS)	2x 500W	2x 600W
2 Ohm Stereo Power (RMS)	2x 1000W	2x 1500W
8 Ohm Bridge Power (RMS)	1500W	2000W
4 Ohm Bridge Power (RMS)	2000W	2800W
Frequenz Bereich	10Hz – 50kHz (± 1.5 dB)	
Eingangs Empfindlichkeit	770mV	
Maximum Eingangspegel	21dBv/9v	
Eingangs Impedanz	20kOhm	
Signal/Noise Ratio	>95dB	
Crosstalk @ 8 Ohm / 1kHz	>105dB	
Damping Faktor @ 8 Ohm / 1kHz	>500	
Slew Rate Intern	60V/ μ S	
Protektion	Short Circuit, Current Limited, DC Fault, AC Line Fuse, Thermal Cut Off, Power Up/Down, Slow Start	
Stromversorgung	220-240Vac, 50Hz	
Abmessungen (bxhxd)	482 x 380 x 88mm (19" x 2U)	
Gewicht	23kg	24kg

Tronios BV Registrierungsnummer : DE51181017 (ElektroG).

Dieses Produkt darf am Ende seiner Lebensdauer nicht über den normalen Haushaltsabfall entsorgt werden, sondern muss an einem Sammelpunkt für das Recycling abgegeben werden. Die Werkstoffe sind gemäß ihrer Kennzeichnung wieder verwertbar. Hiermit leisten Sie einen wichtigen Beitrag zum Schutze unserer Umwelt.



Tronios BV Registrierungsnummer : 21003000 (BatterieG).

Lithiumbatterien und Akkupacks sollten nur im entladenen Zustand in die Altbatteriesammelgefäße bei Handel und bei öffentlich-rechtlichen Entsorgungsträgern gegeben werden. Bei nicht vollständig entladenen Batterien Vorsorge gegen Kurzschluß treffen durch Isolieren der Pole mit Klebestreifen.

Der Entnutzer ist zur Rückgabe von Altbatterien gesetzlich verpflichtet.

Die Spezifikationen sind typisch. Die Werte können leicht von einem Gerät zum anderen ändern. Spezifikationen können ohne vorherige Ankündigung geändert werden.

Garantie gilt nicht, wenn Unfälle oder Schäden, durch unsachgemäße Handhabung oder Nichtbeachtung der vorgeschriebenen (einschließlich Warnungen) in diesem Handbuch, entstehen.

Tronios BV haftet nicht für Schäden in jeglicher Form, wenn die Vorschriften im Handbuch (zB Warnungen) nicht eingehalten werden.

Alle (fehlerhafte) Ware werden während der Garantiezeit immer in der Originalverpackung an den Fachhändler gesendet.

Información Importante de Seguridad

ADVERTENCIA:

PARA PREVENIR INCENDIOS O DESCARGAS ELÉCTRICAS, NO EXPONGA ESTE APARATO A LA LLUVIA O A LA HUMEDAD.

PRECAUCIÓN:

1. Trate con cuidado el cable de la fuente de alimentación. No lo dañe o deforme. Si se daña o deforma, puede causar descargas eléctricas o fallos cuando se utilice. Cuando lo desconecte de la toma de corriente, asegúrese de hacerlo sujetando la clavija, no estirando del cable.
2. Para prevenir descargas eléctricas, no abra la tapa superior. Si hay algún problema, contacte con su distribuidor.
3. No coloque objetos metálicos o derrame líquido dentro del aparato. Puede resultar en descarga eléctrica o mal funcionamiento.

EL USO DE OTROS CONTROLES, AJUSTES O REFORMAS DE PROCEDIMIENTOS QUE NO SE ESPECIFICAN AQUÍ PUEDEN RESULTAR EN LA EXPOSICIÓN DE RADIACIÓN PELIGROSA. EL APARATO NO DEBERÍA AJUSTARSE O REPARARSE POR CUALQUIERA QUE NO SEA PERSONAL DEBIDAMENTE CUALIFICADO CON EL AISLAMIENTO ADECUADO. CUANDO SE REPARE, UTILICE SOLAMENTE PIEZAS DE RECAMBIO IDÉNTICAS.



PRECAUCIÓN: PARA PREVENIR:

RIESGOS DE DESCARGAS ELÉCTRICAS, NO ABRA LA TAPA SUPERIOR (O LA TRASERA). NO HAY PIEZAS REPARABLES DENTRO. DEJE LAS REPARACIONES PARA UN SERVICIO TÉCNICO CUALIFICADO.



El símbolo del rayo acabado en flecha, dentro de un triángulo equilátero, se utiliza para alertar al usuario de la presencia de “voltaje peligroso” sin aislamiento dentro del recinto del producto, que puede ser de suficiente magnitud como para constituir un riesgo de descargas eléctricas a personas.



El símbolo de exclamación dentro de un triángulo equilátero, se utiliza para alertar al usuario de la presencia de instrucciones importantes de funcionamiento y mantenimiento (reparación) en el manual que acompaña al aparato.

NOTA:

Este aparato puede provocar interferencias en la recepción de su radio y televisión.

Instrucciones Importantes de Seguridad

1. Lea las instrucciones – Todas las instrucciones de funcionamiento y de seguridad deberían leerse antes de utilizar el producto.

2. Guarde las instrucciones - Las instrucciones de funcionamiento y de seguridad deberían guardarse para futuras consultas.

3. Preste atención a las advertencias - Todas las advertencias en el producto y en el manual de instrucciones deben seguirse al pie de la letra

4. Siga las instrucciones - Deberían seguirse todas las instrucciones de utilización y funcionamiento.

5. La instalación inapropiada puede provocar daños serios a personas y propiedades.

6. Agua y humedad - El aparato no debería usarse cerca del agua - por ejemplo, cerca de una bañera, lavabo, fregadero, lavadero, en un suelo mojado, o cerca de una piscina, o parecido.

7. Carretillas y soportes - El aparato debería utilizarse únicamente con carretillas o soportes que se



recomienden por el fabricante. El aparato colocado en una carretilla debería moverse con cuidado.

Las paradas bruscas, la fuerza excesiva, y las superficies irregulares pueden hacer que la carretilla y el aparato vuelquen.

8. Montaje en techo o pared - El producto debería montarse en techo o paredes según las recomendaciones del fabricante.

9. Calor - El aparato debería colocarse fuera del alcance de fuentes de calor tales como radiadores, registros de calor, estufas, u otros aparatos (incluyendo amplificadores) que desprendan calor.

10. Fuentes de alimentación – Este producto debería funcionar solo con el tipo de alimentación que indica en la etiqueta. Si no está seguro de la corriente que se suministra en su hogar, consulte con su distribuidor o a la compañía eléctrica. Para los productos previstos para que funcionen con baterías, u otras fuentes, consulte las instrucciones de funcionamiento.

11. Protección del cable de alimentación - Los cables de alimentación deberían colocarse de manera que no puedan ser pisados o pinchados por productos colocados encima o apoyados en ellos, prestando especial atención a la parte del cable donde está situada la clavija, las bases de enchufe, y los puntos desde donde sale el cable del aparato.

12. Limpieza – El aparato debería limpiarse según las instrucciones del fabricante. Límpielo pasándole un trapo ligeramente humedecido con agua. Evite que le entre agua al aparato.

13. Periodos sin utilización - El cable de alimentación debería estar desenchufado cuando se deje de utilizar el aparato por un largo periodo de tiempo.

14. Entrada de objetos y líquido - Debería cuidar de que no cayeran objetos o se derramara líquido dentro del aparato a través de los orificios.

15. Daños que requieran reparación - El aparato debería repararse por un servicio técnico cualificado cuando:

A. El cable de alimentación o la clavija están dañados; o

B. Objetos han caído, o se derrame líquido en el aparato; o

C. El aparato haya estado expuesto a la lluvia; o

D. El aparato parece que no funciona correctamente o muestra un cambio notable en el funcionamiento; o

E. Se ha caído el aparato, o la carcasa de ha dañado.

16. Reparaciones - El usuario no debería intentar hacer ninguna reparación al aparato fuera de las descritas en el manual de funcionamiento. Todas las otras reparaciones deben dejarse en manos de un servicio técnico cualificado.

17. Ventilación – Las ranuras y orificios en el chasis están provistos para la ventilación y para asegurar el funcionamiento confiable del producto y la protección de sobrecalentamiento, y estos orificios no deben bloquearse ni taparse. Los orificios no deberían bloquearse al colocar el producto en una cama, sofá, alfombra, u otra superficie similar. Este producto no debería colocarse en lugares cerrados como librerías o racks sin ventilación apropiada según las instrucciones del fabricante que han de cumplirse.

18. Acoplamientos – no use acoplamientos que no haya recomendado el fabricante del producto ya que pudiera producir daños.

19. Accesorios – No coloque el producto en carretillas, soportes, trípodes, soportes de pared o tablas inestables. El producto podría caer, causando daños serios a niños o a adultos, y dañar seriamente el producto. Use solamente carretillas, soportes, trípodes, soportes de pared, o tablas recomendadas por el fabricante, o vendidas con el producto. Cualquier montaje del producto debe seguir las instrucciones del fabricante, y deberían utilizarse accesorios recomendados por el.

20. Rayos – Para proteger este producto durante una tormenta, o cuando no va a utilizarse durante un largo periodo de tiempo, desenchúfelo de la toma de corriente y desconecte la antena o sistema de cables. Esto evitará posibles daños en el producto debido a subidas de tensión producidas por un rayo o por la compañía eléctrica.

21. Recambios – Cuando se necesite cambiar una pieza, asegúrese de que el servicio técnico ha utilizado piezas de recambio especificadas por el fabricante o que poseen las mismas características que la pieza original. Los repuestos no autorizados pueden provocar incendios, descargas eléctricas, u otros daños.

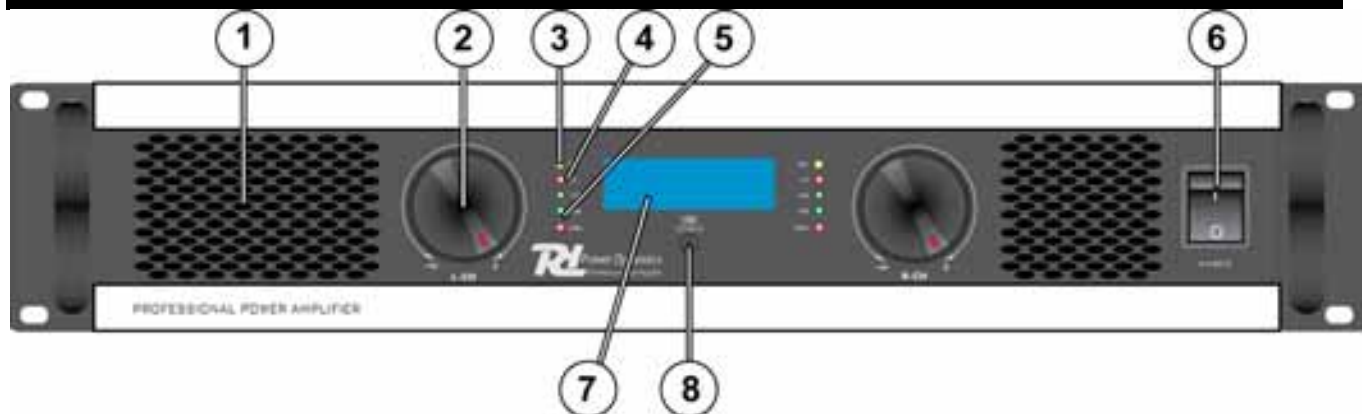
22. Comprobaciones de seguridad – Una vez terminada cualquier servicio o reparación de este producto, pida al servicio técnico que efectúe comprobaciones de seguridad para determinar si el producto funciona correctamente.

CARACTERÍSTICAS

El amplificador de audio estéreo Power Dynamics Professional proporciona una alta potencia de salida por poco dinero. El gama de amplificadores CPA son ideales para los DJs amateurs, instalaciones fijas de menor tamaño en pubs, casinos, etc. o como complemento en grandes instalaciones de disco.

- LCD azul que indica temperatura, modo operativo, potencia de salida, protección y nivel de audio.
- Excelente calidad acústica
- Protección contra altas temperaturas
- Modo estéreo y puentable
- Indicación de Señal, Clip & Protección para cada canal
- Entradas mediante XLR & jack 6.3mm
- Salidas de altavoz por NL4 & bornes
- Refrigeración por ventiladores

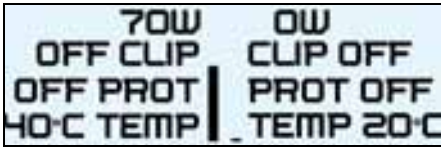
Panel Frontal



1. **Ventilación.**
Flujo de aire de delante hacia atrás.
2. **Controles de volumen.**
Estos controles ajustan el nivel del volumen de ambos canales. Gírelo ligeramente a la izquierda cuando se enciendan los indicadores de clip (4).
3. **Indicación de protección.**
Cuando en algún punto determinado, se produce una avería en su amplificador, se conmutará al modo protección. El amplificador desconectará el punto donde se ha producido la avería y encenderá el led de protección para indicarle que hay algo que está mal. Las razones pueden ser: Mala ventilación, Baja impedancia (< 4 Ohm), Ventiladores defectuosos, Un cortocircuito en los cables.
4. **Indicación de Clip.**
Estos LEDs se encenderán cuando uno o ambos canales están en la máxima potencia. Puede ocurrir que estos LEDs se enciendan de vez en cuando, esto no es un problema. Pero si se enciende continuamente es necesario que disminuya el volumen, de otro modo podría provocar un daño irreparable al equipo.
5. **Indicadores de señal.**
Estos LEDs naranjas indican los niveles de señal de salida de los amplificadores.
6. **Interruptor On/Off.**
Para encender o apagar el amplificador. Siempre reduzca el volumen al mínimo antes de encender este amplificador.
7. **Display azul LCD.**
Informa de los parámetros de trabajo y operativa actual.
8. **Carga 2/4/8 Ohms.**
Selecciona la carga de altavoces para el calculo correcto de la potencia de salida.

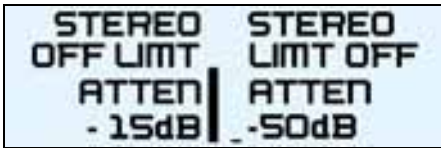
DISPLAY

Indicaciones estandar:



- Linea-1: Potencia de salida de ambos canales calculado por el amplificador.
NOTA: Seleccione la carga correcta (boton 8)
El calculo no es 100% correcto en modo bridge
- Linea-2: Si CLIP ON el amplificador esta sobrecargado. Reduzca el nivel de entrada.
- Linea-3: Informacion sobre proteccion.
- Linea-4: Temperatura de la salida (finales) de ambos canales
- Grafico: Grafico de barras vertical en el centro del display indicando el nivel de salida de ambos canales

Indicaciones unos segundos despues de modificar el volumen:



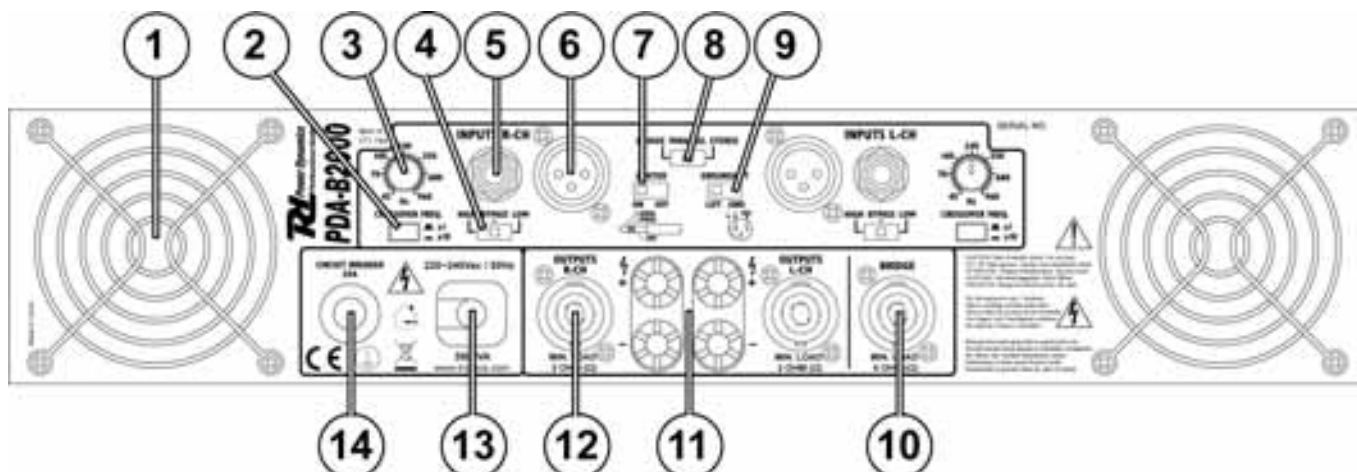
- Linea-1: Modo operacion STEREO o BRIDGE
- Linea-2: Limitador ON o OFF
- Linea-3 & 4:ATTEN, atenuacion de señal de entrada, linea 4 muestra el nivel.
- Grafico: Grafico de barras vertical en el centro del display indicando el nivel de salida de ambos canales

Indicaciones unos segundos despues de modificar la impedancia (8):



Seleccione la correcta impedancia o carga para el calculo de potencia

Panel trasero

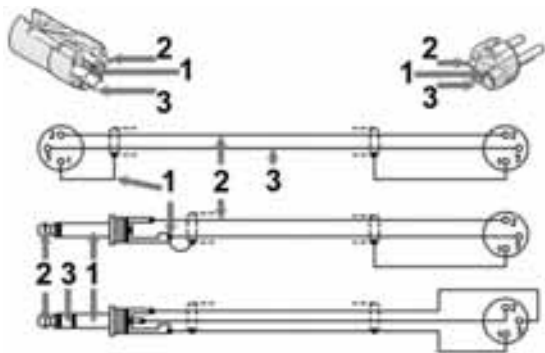


1. **Ventilador.**
Ventilación forzada de delante hacia atrás.
2. **Conmutador de Crossover.**
x1=45-960Hz ; x10=450-9600Hz
3. **Frecuencia Crossover**
Ajuste de la frecuencia Crossover
4. **Filtro interruptor de selección**
High=Filtro High Pass
Low=Filtro Low Pass
Bypass=Sin Filtro
5. **Entradas estéreo por Jack 6.3mm.**
Dos entradas con conector hembra jack de 6.3mm para conectar una fuente de señal (mezclador etc.).
6. **Entradas XLR balanceadas.**
Dos entradas con conector hembra XLR de 3-pin para conectar una fuente de señal (mezclador etc.).
7. **Interruptor limitador**
Limitador para controlar la potencia de salida automáticamente.
8. **Conmutador de modo.**
El amplificador puede trabajar en 3 modos diferentes: estéreo, puente & paralelo (mono). Escoja una de estas funciones:
Modo estéreo: Modo estéreo estándar
9. **Conmutador de masa.**
Permite separar la masa de los circuitos y del chasis en caso de problemas zumbidos típicos de masa.
10. **Salidas de altavoz NL4.**
Máxima carga en modo puente 4 Ohm por canal.
Pin +1 & +2 = + salida, Pin -1 & -2 = - salida
11. **Salidas de altavoz por bananas.**
Máxima carga en modo estéreo/mono 4 Ohm por canal. Máxima carga en modo puente 8 Ohm.
12. **Salidas de altavoz NL4.**
Máxima carga en modo estéreo 2 Ohm por canal.
Pin +1 & +2 = + salida, Pin -1 & -2 = - salida
13. **Base de alimentación.**
220-240Vac / 50Hz
14. **Fusible 20A**

Instalación

Conectar entradas

Ambas entradas son balanceadas. Si no dispone de una salida balanceada, también puede usar una no balanceada, puentee el pin 3 – con el pin1 (masa) (véase debajo). Las líneas no balanceadas pueden generar ruidos si las distancias son muy largas.



1= tierra / masa, 2=señal +, 3=señal –

Conectar salidas

Asegúrese de que el amplificador está apagado antes de hacer las conexiones. Los altavoces pueden conectarse usando conectores NL4 o cable pelado para los bornes. Utilizando la guía que damos a continuación seleccione la sección apropiada del cable según la distancia entre el amplificador y el altavoz.

Distancia	Sección del cable
<10m	1.5mm ²
>10m <20m	2.5mm ²
>20m <30m	4.0mm ²

NOTA: ¡Nunca conecte la salida (+) a masa o a la salida (-) y nunca conecte la salida (+) a otras salidas!

Conecte la alimentación

Antes de enchufar el aparato siempre asegúrese de que la fuente de alimentación se ajusta al voltaje especificado. Primero conecte extremo del cable con el conector IEC a la base IEC en el amplificador y luego conecte el otro extremo del cable a la toma de corriente.

Por favor lea las siguientes instrucciones para un funcionamiento fiable y sin problemas:

- Asegúrese de que todas las conexiones se hayan hecho correctamente.
- Compruebe si los altavoces conectados son compatibles con el amplificador.
- Asegúrese de que haya la ventilación adecuada.
- Evite exponerlo a la humedad.
- Nunca conecte o desconecte los altavoces mientras esté en funcionamiento, ya que puede resultar en serios daños.

Especificaciones

Specification	PDA-B1500	PDA-B2000
Modelo Ref. No.	171.193	171.194
4 Ohm Stereo Potencia (RMS)	2x 750W	2x 1000W
8 Ohm Stereo Potencia (RMS)	2x 500W	2x 600W
2 Ohm Stereo Potencia (RMS)	2x 1000W	2x 1500W
8 Ohm Bridge Potencia (RMS)	1500W	2000W
4 Ohm Bridge Potencia (RMS)	2000W	2800W
Respuesta en Frecuencia	10Hz – 50kHz (± 1.5 dB)	
Sensibilidad de Entrada	770mV	
Maximo nivel de entrada	21dBv/9v	
Impedancia de entrada	20kOhm	
Nivel señal/ruido medido A-RMS	>95dB	
Cruce entre canales @ Salida 8 Ohm / 1kHz	>105dB	
Factor Damping @ 8 Ohm / 1kHz	>500	
Slew Rate Interno	60V/ μ S	
Proteccion	Short Circuit, Current Limited, DC Fault, AC Line Fuse, Thermal Cut Off, Power Up/Down, Slow Start	
Alimentacion	220-240Vac, 50Hz	
Dimensiones (an x a lx pr)	482 x 380 x 88mm (19" x 2U)	
Peso	23kg	24kg

Nota: Las especificaciones diseño están sujetos a cambios sin previo aviso con el propósito de mejorar.

Este producto cumple los requisitos de las normas EMC y LVD.





CE Declaration of Conformity

Importer: TRONIOS BV
Bedrijvenpark Twente 415
7602 KM - ALMELO

Tel : 0031546589299
Fax : 0031546589298
The Netherlands

Product number: 171.193 / 171.194

Product Description: **PowerDynamics PDA-B1500 Professional Amplifier**
PowerDynamics PDA-B2000 Professional Amplifier

Regulatory Requirement: EN 60065
EN 55013
EN 55020
EN 61000-3-2/-3-3

The product met the requirements stated in the above mentioned Declaration(s).

ALMELO,
17-02-2011

Signature :

www.tronios.com

Copyright © 2011 by TRONIOS the Netherlands