

输出功率: 约2~40W

碳刷马达

典型应用: 家用电器

电动玩具

电动工具

OUTPUT:APPROX 2~40W

Cabron-brush Motors

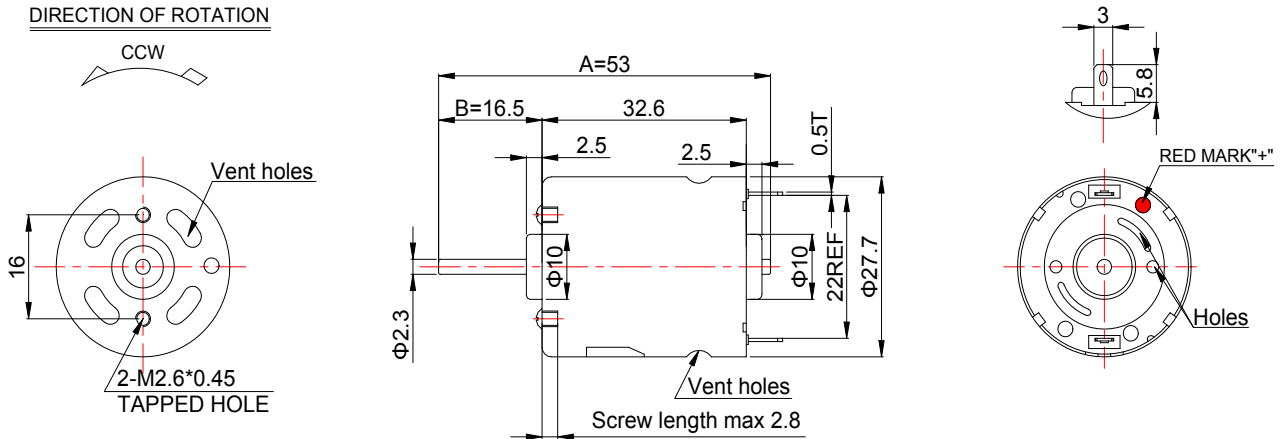
Typical Applications: Household Appliances

Electric Toys

Electrical Tools

## 1.OUTLINE DRAWING:

UNIT:MM

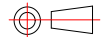


Customizable Parameters:

1. Length A and B
2. Electric Performance
3. Direction of Rotation

WEIGHT: 57g(Approx)

View:



## 2.MOTOR PERFORMANCE :

MODEL	VOLTAGE		NO LOAD		AT MAXIMUM EFFICIENCY				STALL			
	OPERATING RANGE	NOMINAL	SPEED	CURRENT	SPEED	CURRENT	TORQUE	OUTPUT	TORQUE	CURRENT		
		V	rpm	A	rpm	A	g.cm	mN.m	W	g.cm	mN.m	A
RS-365SH-2070	3.0~18.0	18.0	19400	0.22	16210	1.12	77.3	7.59	12.85	470	46.12	5.68
RS-360SH-2885	3.0~8.0	7.2	12500	0.36	3351	0.35	52.4	5.14	1.80	420	41.22	8.60
RS-365SH-15260	5.0~13.0	12.0	6500	0.1	5230	0.40	57.6	5.65	3.09	296	29.05	1.62
RS-360PH-4535R	3.0~8.0	7.2	28600	0.75	23800	6.40	112	10.99	27.34	685	67.22	32.50

