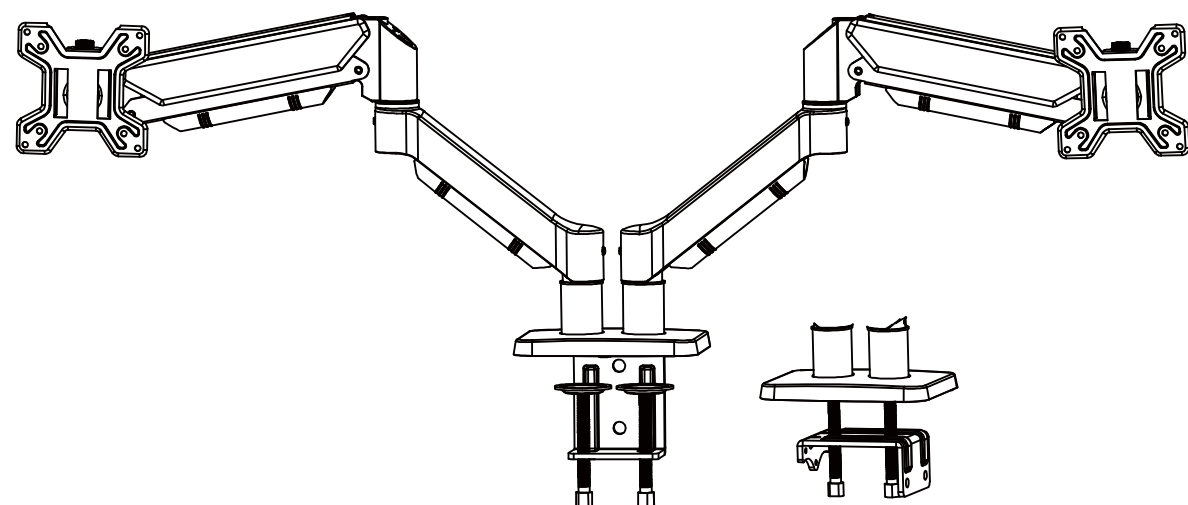


1

REV:00



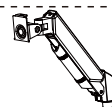
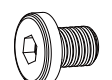

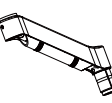
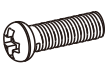


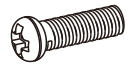

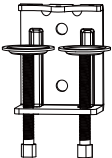
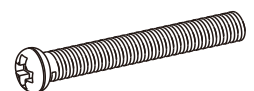

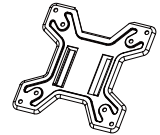



75x75  
100x100



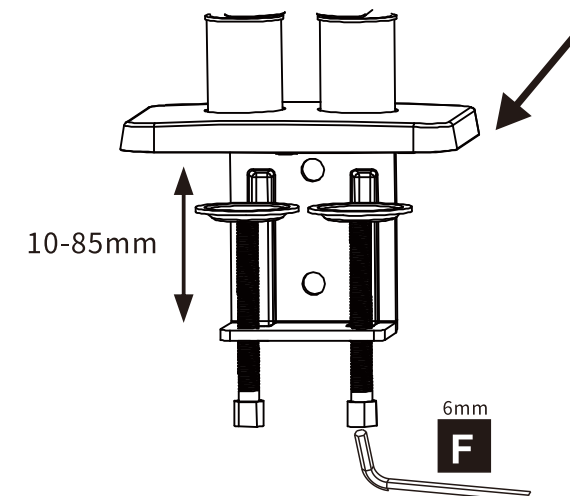
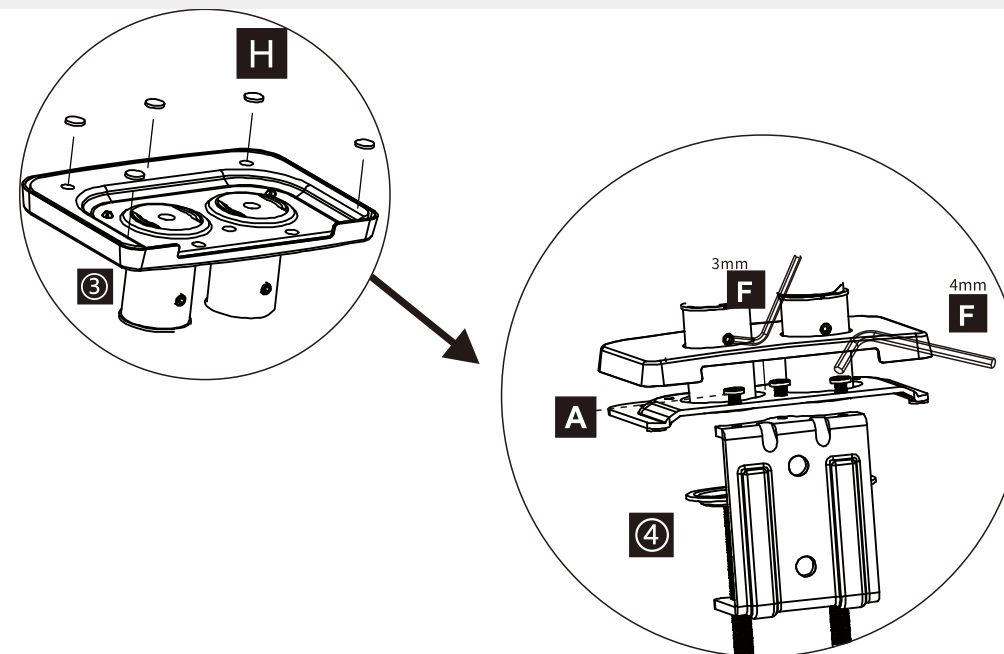
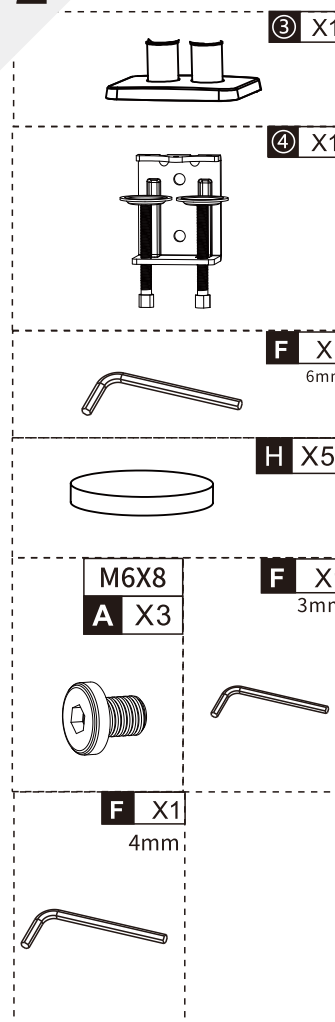
CAUTION: DO NOT EXCEED RATED LISTED WEIGHT. SERIOUS INJURY OR PROPERTY DAMAGE MAY OCCUR! WE DO NOT RESPONSIBLE FOR DAMAGES CASUSED BY IMPROPER INSTALLATION!

129.187

## PART LIST

	<b>1</b> X2		<b>M6X8 A</b> X3		<b>M4x10x1 E</b> X8
	<b>2</b> X2		<b>M4X8 B</b> X8		<b>F</b> X1 3mm
	<b>3</b> X1		<b>M4X12 C</b> X8		<b>F</b> X1 4mm
	<b>4</b> X1		<b>M4x30 D</b> X8		<b>F</b> X1 6mm
	<b>5</b> X2		<b>E</b> X8		<b>G</b> X2
			<b>H</b> X5		

2



2

Note: If you need to use the perforation method, the desktop needs two holes, the center distance of the two holes is 55mm

