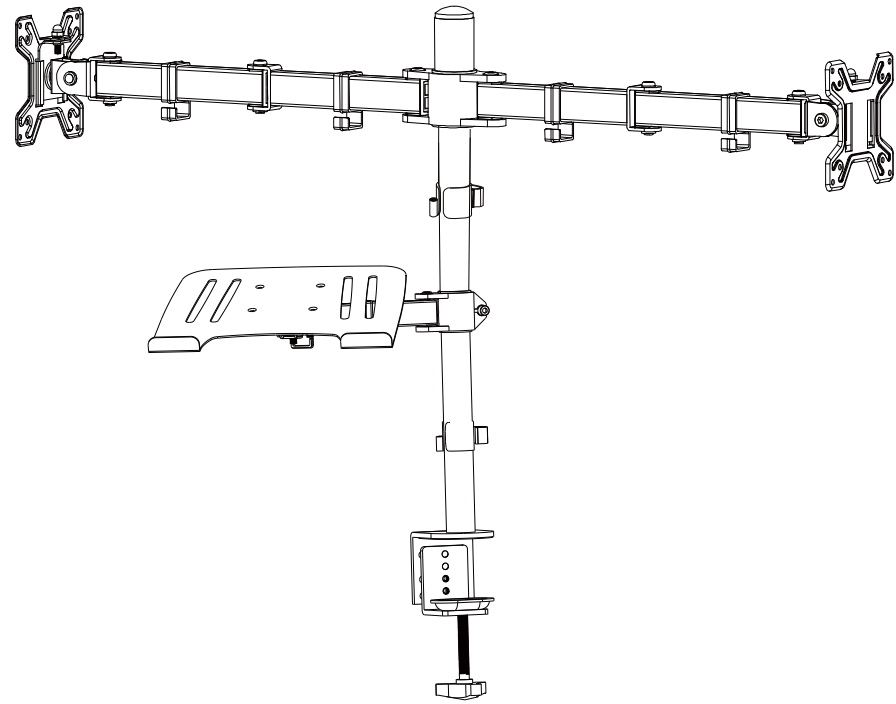


1

REV:01



75x75
100x100

32"
MAX

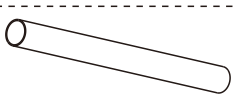
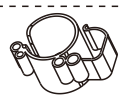

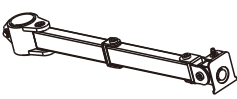
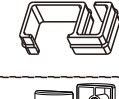

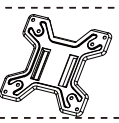
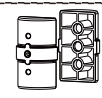
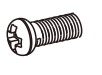
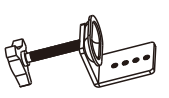
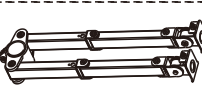
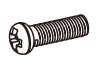
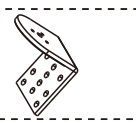


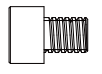

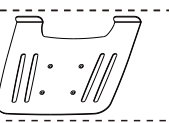


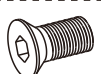




8kg
(18lbs)
MAX



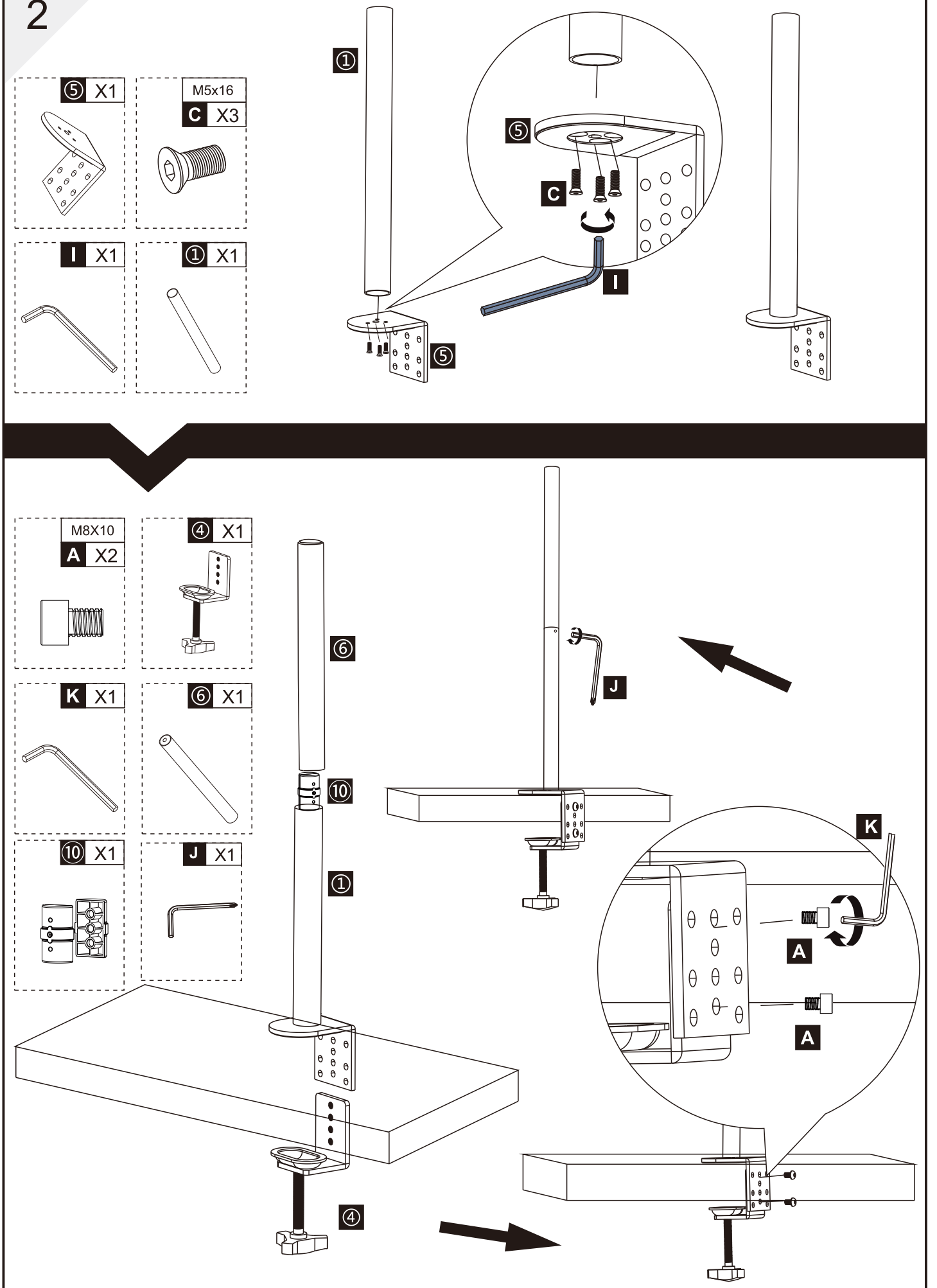
CAUTION: DO NOT EXCEED
RATED LISTED WEIGHT. SERIOUS
INJURY OR PROPERTY DAMAGE
MAY OCCUR!
WE DO NOT RESPONSIBLE FOR
DAMAGES CASUED BY IMPROPER
INSTALLATION!

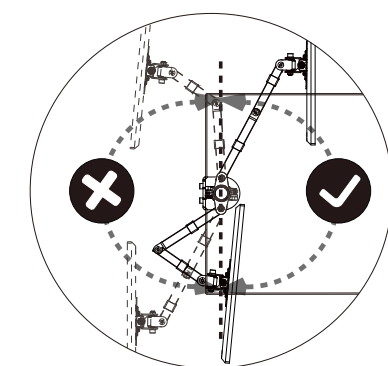
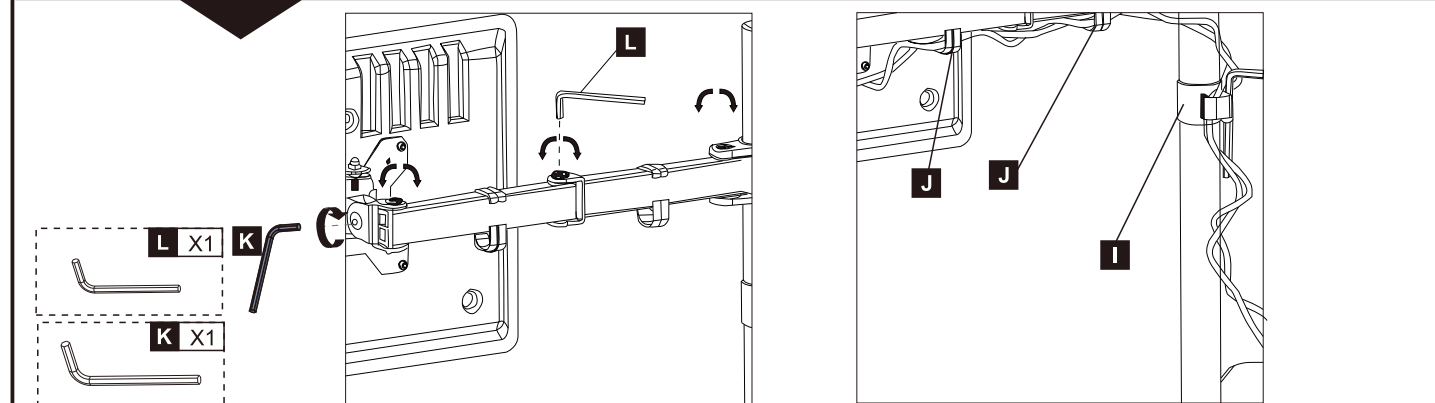
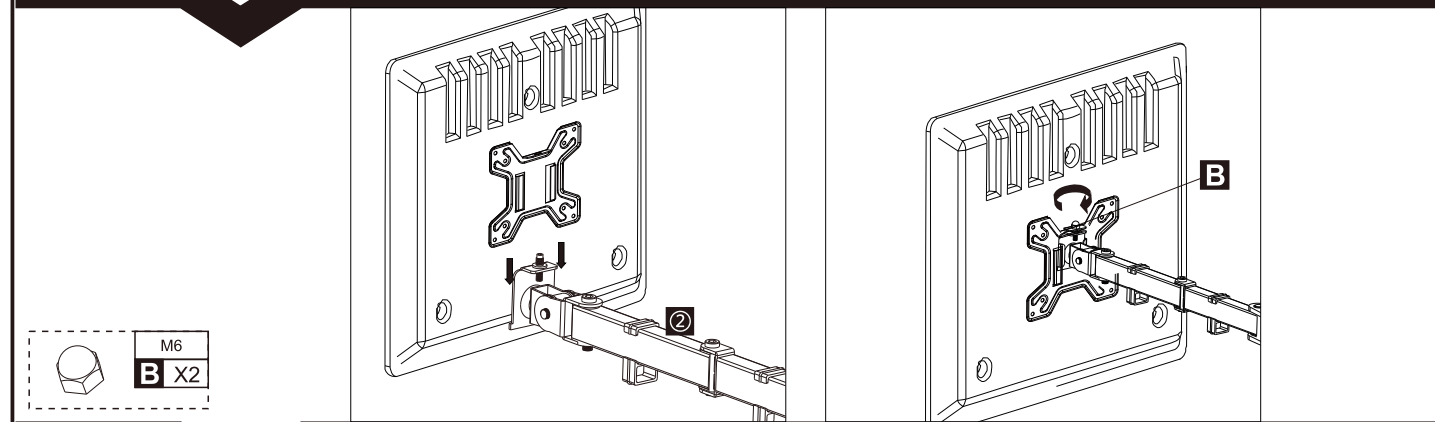
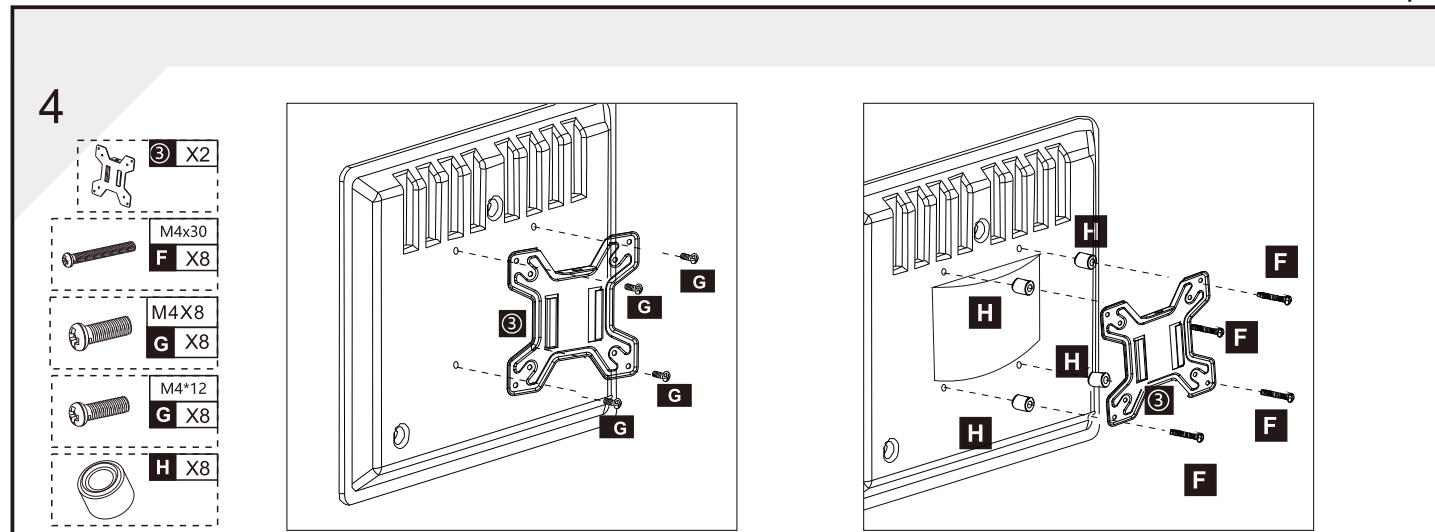
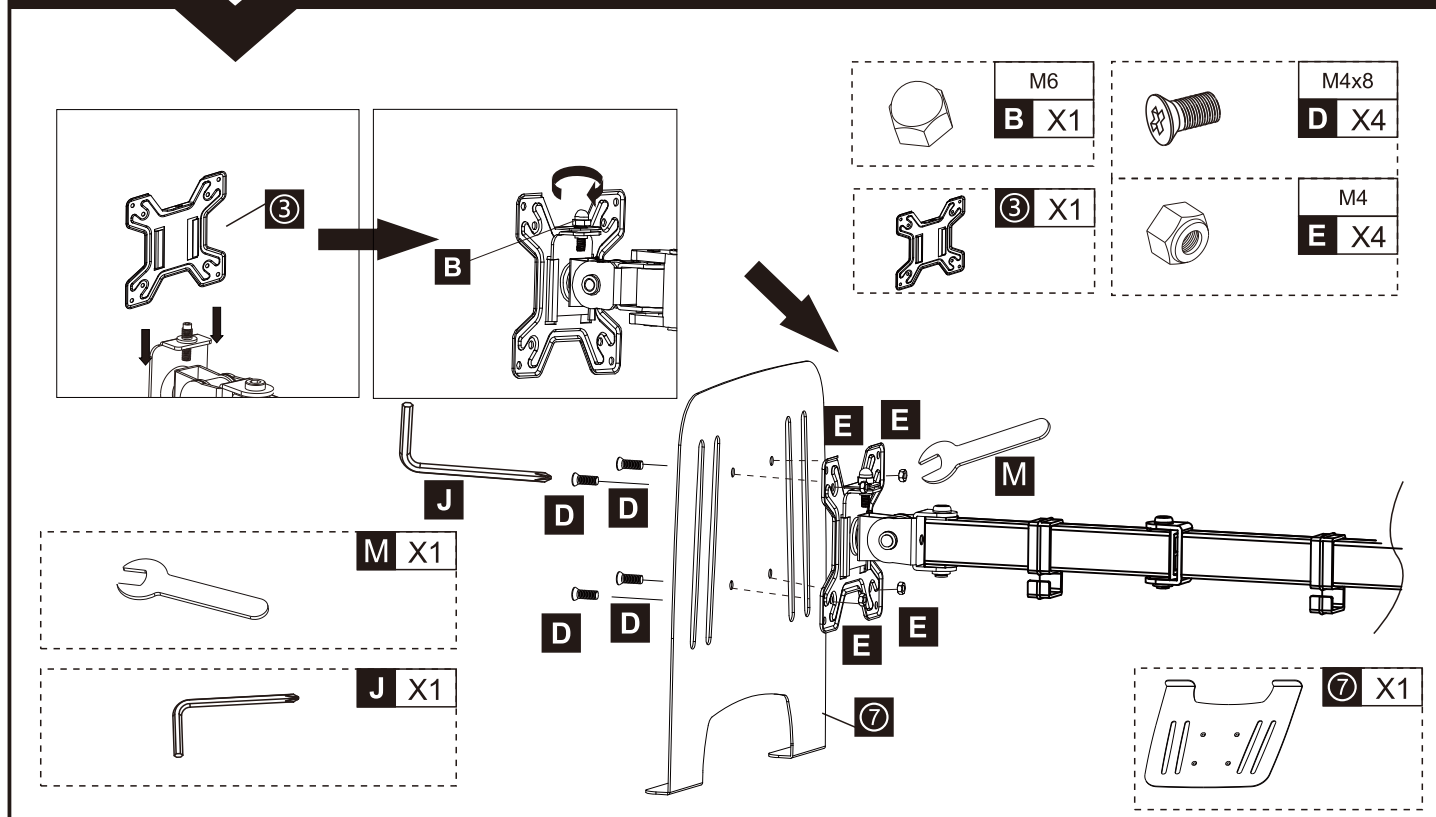
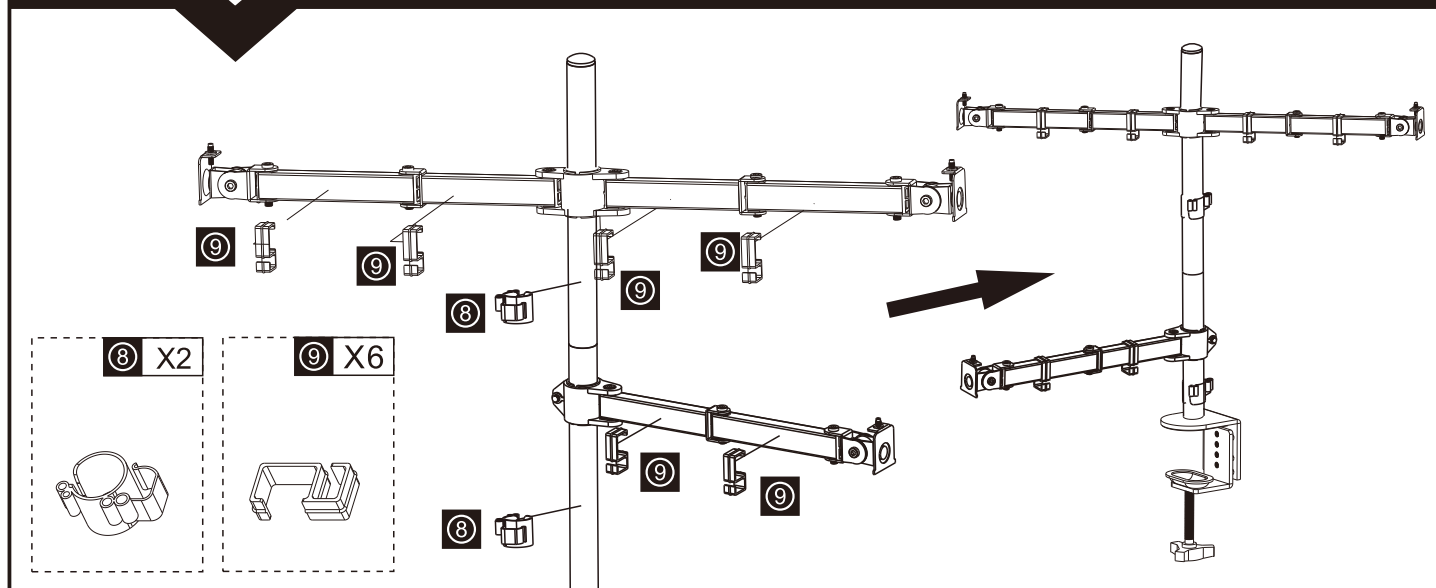
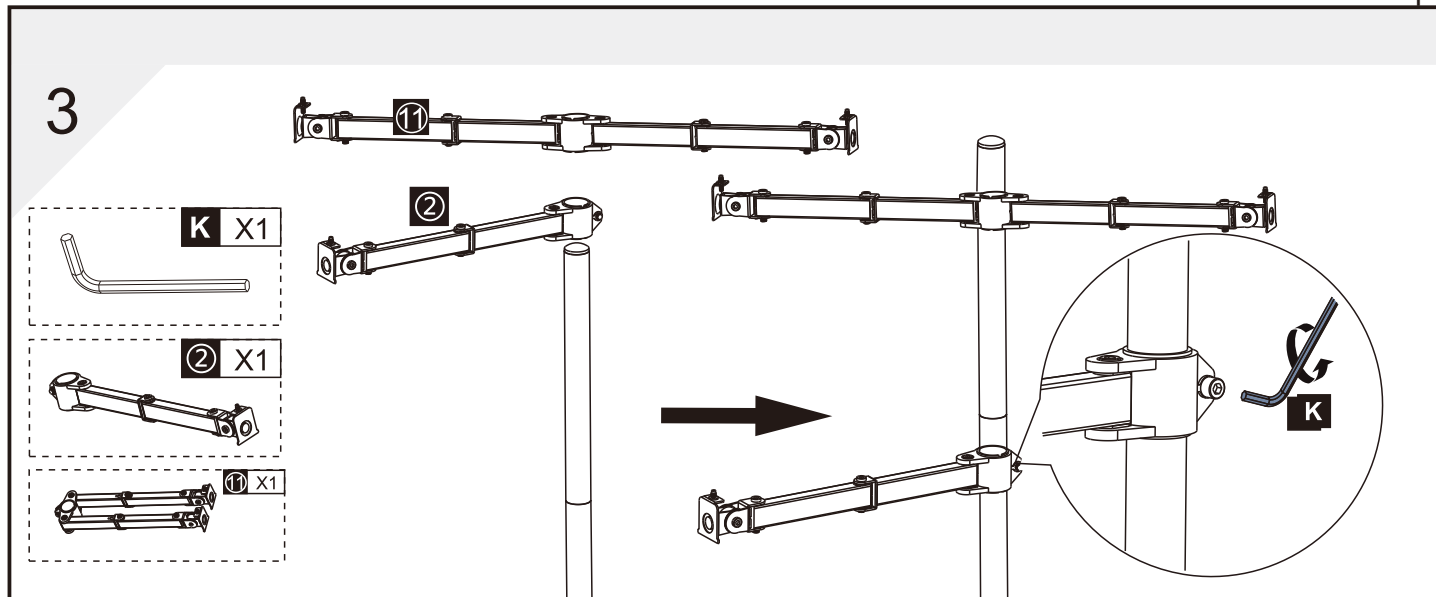
129.192

PART LIST

	① X1		⑧ X2		M4 E X4
	② X1		⑨ X6		M4x30 F X8
	③ X3		⑩ X1		M4x8 G X8
	④ X1		⑪ X1		M4*12 G X8
	⑤ X1				H X8
	⑥ X1		M8x10 A X2		I X1 3mm
	⑦ X1		M6 B X3		J X1 4mm
			M5x16 C X3		K X1 6mm
			M4x8 D X4		L X1 5mm
					M X1 7mm

2





Warning:
To avoid tipping, please be careful not to extend the arms too far forward or backward. When you adjust the angle of the arms, please make sure two arms are balanced to avoid instability of the center of gravity of the base.