

# SBB3

## UNIVERSAL L-SHAPED SOUNDBAR BRACKETS

Item ref: 129.596UK

User Manual

These universal brackets are VESA compatible allowing you to neatly mount a soundbar onto an existing TV wall bracket. Once the soundbar has been mounted, the brackets are completely invisible giving a perfect stylish look while in the ideal position for the best sound distribution.

- Universal compatibility with most makes of TV and any soundbar that can be wall mounted
- Easy to install and completely invisible when mounted
- Adjustable angle for perfect mounting
- Installation hardware included

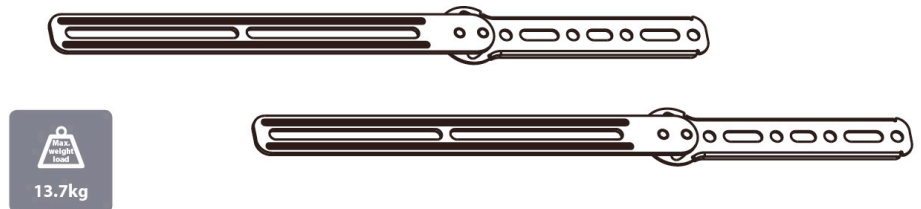
### Caution

Please read this manual thoroughly to avoid damage to property or personnel. If unsure of any part of this manual please refer to professional installer for help:

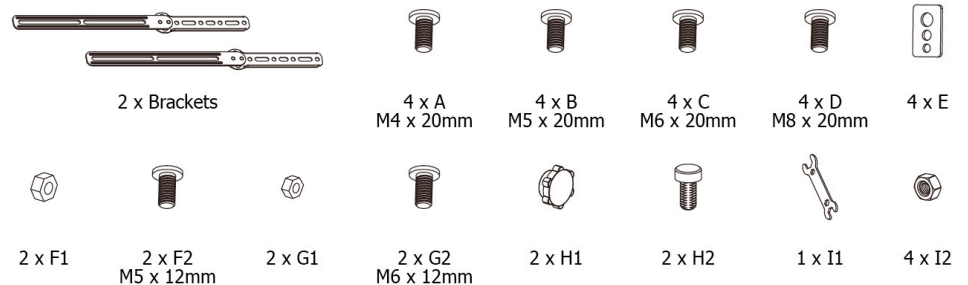
- This product contains small components that could pose a choking hazard if swallowed, please keep out of reach of children.
- This product is design for indoor use only. The bracket must be inspected at least every two months for loose joints or aged parts.

### Contents

Please check all contents listed are included inside the box. If anything is missing please return to the retailer or dealer. For this installation you will also require a Philips (cross) screw driver.

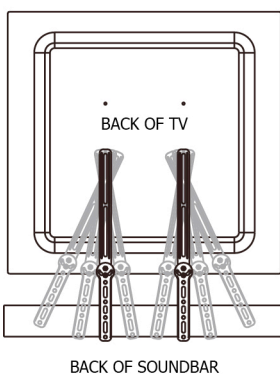


### IN THE BOX:

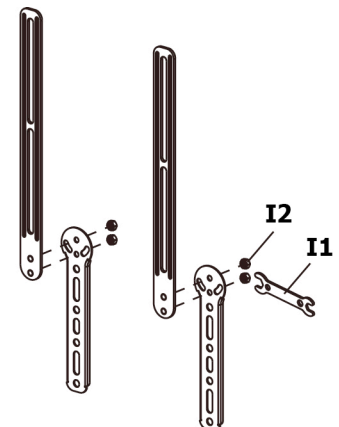
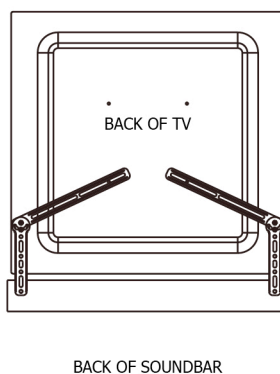


**STEP 1** – Assemble the brackets and work out which mounting option is best for your screen and soundbar.

#### MOUNTING OPTION A

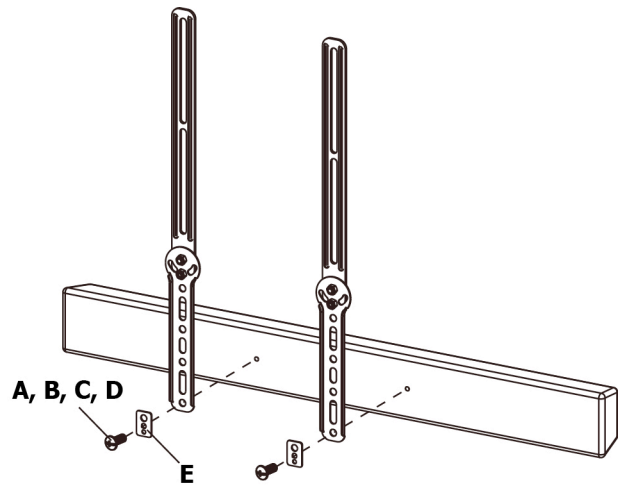


#### MOUNTING OPTION B

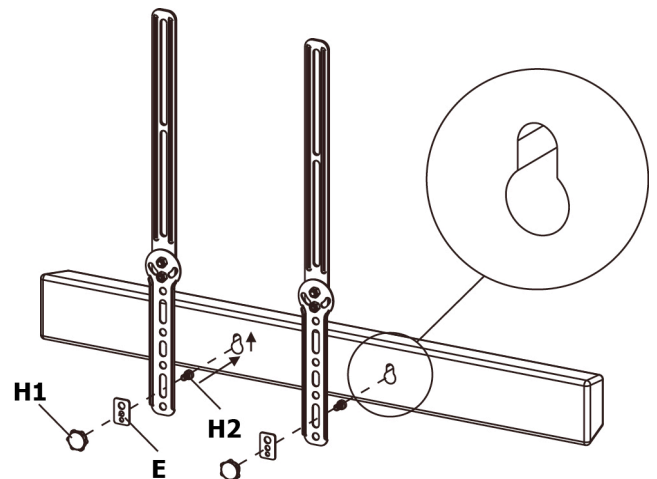
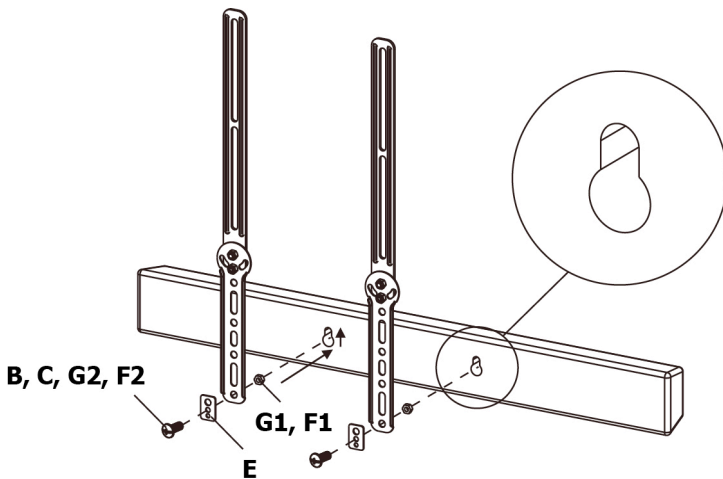


### STEP 2 – Install the brackets to the soundbar

If the soundbar has threaded screw inputs then install the brackets with either A, B, C or D screws as pictured below.



If the soundbar has keyhole inserts then install the brackets either way as pictured below.



### STEP 3 – Attach soundbar and bracket to a TV bracket

