



Rhapsody61 Electronic Keyboard 61 Key Set

Ref. nr.: 130.041



INSTRUCTION MANUAL
GEBRUIKSAANWIJZING
BEDIENUNGSANLEITUNG
MANUAL DE INSTRUCCIONES
MANUEL D'INSTRUCTIONS
INSTRUKCJA OBSŁUGI
NÁVOD K POUŽITÍ

ENGLISH

Congratulations to the purchase of this Max Music product. Please read this manual thoroughly prior to using the product in order to benefit fully from all features.

Read the manual prior to using the product. Follow the instructions in order not to invalidate the warranty. Take all precautions to avoid fire and/or electrical shock. Repairs must only be carried out by a qualified technician in order to avoid electrical shock. Keep the manual for future reference.

- Prior to using the product, please ask advice from a specialist. When the unit is switched on for the first time, some smell may occur. This is normal and will disappear after a while.
- The unit contains voltage carrying parts. Therefore do NOT open the housing.
- Do not place metal objects or pour liquids into the product. This may cause electrical shock and malfunction.
- Do not place the product near heat sources such as radiators, etc. Do not place the unit on a vibrating surface. Do not cover the ventilation holes.
- The product is not suitable for continuous use.
- Be careful with the mains lead and do not damage it. A faulty or damaged mains lead can cause electrical shock and malfunction.
- When unplugging the product from a mains outlet, always pull the plug, never the lead.
- Do not plug or unplug the unit with wet hands.
- If the plug and/or the mains lead are damaged, they need to be replaced by a qualified technician.
- If the product is damaged to such an extent that internal parts are visible, do NOT plug the unit into a mains outlet and DO NOT switch the product on. Contact your dealer. Do NOT connect the product to a rheostat or dimmer.
- To avoid fire and shock hazard, do not expose the product to rain and moisture.
- All repairs should be carried out by a qualified technician only.
- Connect the product to an earthed mains outlet (220-240Vac/50Hz) protected by a 10-16A fuse.
- During a thunderstorm or if the product will not be used for a longer period of time, unplug it from the mains. The rule is: Unplug it from the mains when not in use.
- If the product has not been used for a longer period of time, condensation may occur. Let the unit reach room temperature before you switch it on. Never use the product in humid rooms or outdoors.
- During operation, the housing may become hot.
- To prevent accidents in companies, you must follow the applicable guide lines and follow the instructions.
- Do not repeatedly switch the product on and off. This shortens the life time.
- Keep the unit out of the reach of children. Do not leave the unit unattended.
- Do not use cleaning sprays to clean switches. The residues of these sprays cause deposits of dust and grease. In case of malfunction, always seek advice from a specialist.
- Only operate the product with clean hands.
- Do not force the controls.
- If the product has fallen, always have it checked by a qualified technician before you switch the product on again.
- Do not use chemicals to clean the unit. They damage the varnish. Only clean the product with a dry cloth.
- Keep away from electronic equipment that may cause interference.
- Only use original spares for repairs, otherwise serious damage and/or dangerous radiation may occur.
- Switch the product off prior to unplugging it from the mains and/or other equipment. Unplug all leads and cables prior to moving the product.
- Make sure that the mains lead cannot be damaged when people walk on it. Check the mains lead before every use for damages and faults!
- The mains voltage is 220-240Vac/50Hz. Check if power outlet match. If you travel, make sure that the mains voltage of the country is suitable for this product.
- Keep the original packing material so that you can transport the product in safe conditions



This mark attracts the attention of the user to high voltages that are present inside the housing and that are of sufficient magnitude to cause a shock hazard.



This mark attracts the attention of the user to important instructions that are contained in the manual and that he should read and adhere to.

The product has been certified CE. It is prohibited to make any changes to the product. They would invalidate the CE certificate and their guarantee!

NOTE: To make sure that the unit will function normally, it must be used in rooms with a temperature between 5°C/41°F and 35°C/95°F.



Electric products must not be put into household waste. Please bring them to a recycling centre. Ask your local authorities or your dealer about the way to proceed. The specifications are typical. The actual values can slightly change from one unit to the other. Specifications can be changed without prior notice.

Do not attempt to make any repairs yourself. This would invalid your warranty. Do not make any changes to the product. This would also invalid your warranty. The warranty is not applicable in case of accidents or damages caused by inappropriate use or disrespect of the warnings contained in this manual. Max cannot be held responsible for personal injuries caused by a disrespect of the safety recommendations and warnings. This is also applicable to all damages in whatever form.

UNPACKING INSTRUCTION

CAUTION! Carefully unpack the box upon receipt. Check the contents to ensure that all parts are present and have been received in good condition. Notify the shipper immediately and retain packaging material if any parts appear damaged from shipping or the package itself shows signs of mishandling. Save the package and all packaging materials. If the product must be returned, it is important that the product is returned in the original factory box and packaging. If the device has been exposed to drastic temperature fluctuation (e.g. after transportation), do not switch it on immediately. The arising condensation water might damage your device. Leave the device switched off until it has reached room temperature.

POWERSUPPLY

The label on the back/under side of the product indicates the mains voltage to which it must be connected. Check that the mains voltage corresponds to this. Any other voltage than the one indicated may cause irreparable damage to the unit. The unit must also be connected directly to the mains voltage and no dimmer or adjustable power supply may be used.

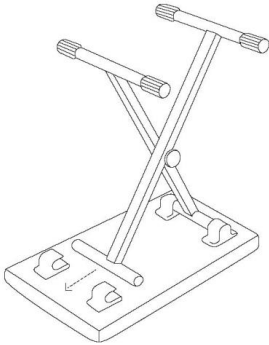


Always connect the device to a protected circuit (circuit breaker or fuse). Make sure the device has an appropriate electrical ground to avoid the risk of electrocution or fire.

ASSEMBLY INSTRUCTIONS BENCH

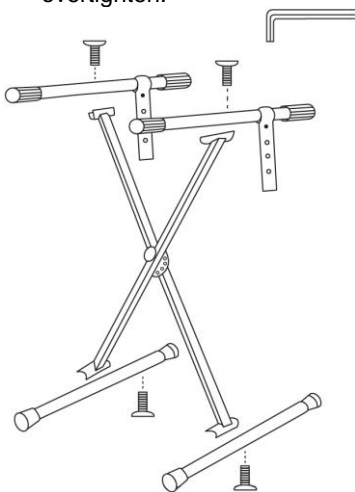
1. Place the seat upside down.
2. Lift both the left and right legs upwards.
3. Slide leg supports into brackets to lock the legs in position.
4. Rotate the caps to stabilize the bench.

NOTE: make sure the leg supports are sitting all the way inside the bracket.
Sit down and play music like never before.



ASSEMBLY INSTRUCTIONS STAND

1. Place the feet on the floor in the position indicated in the illustration.
2. Using the screws, secure the X bracket onto the feet using the Allen wrench.
3. Place the upper support bars onto the upper part of the bracket and secure with the screws using the Allen wrench. Do not overtighten.



CONTROLS



1. **SPEAKERS**
Loudspeakers to reproduce the sound of the music played. sound level is determined on the basis of the volume setting.
2. **POWER**
Press to turn power on/off.
3. **MASTER VOLUME**
Press **[Master Vol +]** or **[Master Vol -]** to raise or lower the master volume. The keyboard had 9 levels of volume from 00 till 08.
4. **RHYTHM VOLUME**
Press **[Rhythm Vol +]** or **[Rhythm Vol -]** to raise or lower the accompt volume. The default volume is 06. Press the Rhythm **[vol +]** and **[vol -]** simultaneously will recover default Rhythm volume automatically.
5. **FINE TUNING**
Press the fine tuning **[+ or -]** to micro control the tone within the range of +/- 99 levels between the two connecting tones. Keep pressing **[+ or -]** to increase or decrease levels continuously. Press **[+ and -]** simultaneously to return to the level of initially set.
6. **TRANSPOSE**
Press **[Transpose +]** or **[Transpose -]** to increase or decrease the transpose value up and down +/- 6 levels and shift the pitch of entire keyboard up and down in semitone intervals. Press the **[Transpose +]** or **[Transpose -]** simultaneously to return to default status of keyboard tone.
7. **SINGLE CHORD**
Press **[Start/Stop]** to start the auto accompaniment. Then press **[Single chord]** to start single finger accompaniment. Press any key of the left 19 keys to begin Rhythm. Press different key on left keyboard to select different chord. One key you press will always determine the root of the chord you played. Press **[Start/Stop]** again to end the effect.
8. **FINGER CHORD**
Press **[Start/Stop]** to start the auto accompaniment. Press **[Finger chord]** to start fingered accompaniment. Press any key of the left 19 keys to begin Rhythm. Press different key on left keyboard to select different chord. Once you play any chord in auto accompaniment section of keyboard the chord along with Rhythm will be automatically begun to play key you press will always determine the root of the chord you played. Press **[Start/Stop]** again to end the effect.
9. **LOW CHORD**
Press **[Low chord]** to change the effect of Bass.
10. **CHORD CLEAR**
Press **[Chord clear]** to end the accompaniment under chord status, the Rhythm will being continued to play.
11. **START/STOP**
Press to start or stop playing selected program.
12. **SYNC**
In rhythm mode, press **[SYNC]**. Play any key in the chord key zone (the 1st-19th key, from the left) to activate the accompaniment rhythm.
13. **FILL IN**
Press **[FILL-IN]** to add a short fill in Rhythm variation at any time while the Rhythm is playing. Then the normal Rhythm will begin from next measure.
14. **INTRO/ENDING**
Press **[Intro/Ending]** before Rhythm was started, the keyboard will perform a length of relative intro, then returns back to relative normal Rhythm. Press **[Intro/Ending]** after Rhythm was started, the keyboard will perform a length of relative ending to stop.
15. **BEAT**
There are 4 kinds of beat voice stored on the keyboard: 1/4 beat, 2/4 beat, 3/4 beat and 4/4 beat. Press **[Beat]** simultaneously for the different beats.
16. **TEMPO**
Press **[Tempo +]** or **[Tempo -]** to increase or decrease the rhythm speed.
17. **TOP PANEL PERCUSSION**
Press one of the Percussion buttons. There are 6 kinds of percussion available for this keyboard.
 - Hi-Hat Open
 - Hi-Hat Closed
 - Snare L
 - Bongo L
 - Bass Drum H Soft
 - Bass Drum L

18. ONE KEY TEACHING

Press **[One Key]** to enable the single key training function. Press the number keys **[1-9]** or **[+/-]** button to select the song to be learned. One key training aims at duration learning, and there is no requirement on pitch or creativeness. This mode allows for mistakes when playing the keys, but the keyboard still plays correct notes.

19. FOLLOW TEACHING

Press **[Follow teaching]** to enable the follow key training function. Follow the display to play the note correctly, then play the next note shown automatically on the display.

20. SUSTAIN

Press **[Sustain]** and the notes played on the keyboard will be decayed gradually after lifting your finger from the keyboard. Press this button again and the sustain effect will be disabled.

21. VIBRATO

Press the **[Vibrato]** and the vibrato effect will be activated. Press this button again and the vibrato effect will be disabled.

22. KEYBOARD SPLIT

Press **[Keyboard Split]** to divide keyboard into left hand keyboard and right hand keyboard. The left 24 keys will be left-hand keyboard and the rest part of keys will be divided as right-hand keyboard. The voice on right-hand keyboard can be selected by pressing the number on numeric group buttons. The voice on left-hand keyboard is initially set by producer. Press the button once again to turn split effect off.

23. NUM-PAD

Press **[+/-]** or "0" to "299" in numeric group buttons to select accompaniment.

24. LCD DISPLAY

Displays current mode, notes to play, rhythm, tempo, etc.

25. RECORD

Press **[REC]** to enable the recording function, "REC" will show on the display.

26. PROGRAM

Press to enable the Rhythm programming function.

27. PLAY

Press to playback recorded notes or Rhythms.

28. VOICE

There are 300 different kinds of voices (Appendix I). Press **[Voice]** to start choosing a voice. You can press the **[0-9]** number or **[+/-]**. Voice starts from "000" to "299" and if the input is out of this range, it will be ineffective.

29. RHYTHM

There are 300 different kinds of rhythms (Appendix II). Press **[Start/Stop]** to start the rhythm you need. Press **[Rhythm]** to choose a Rhythm starts from "000" to "299" and if the input is out of this range, it will be ineffective.

30. DEMO

This keyboard has 49 stored demo songs ["000" to "049"] for your selection (Appendix III). Press **[DEMO]** and the default demo song will start to play. During playing process, press **[DEMO]** to play the next demonstration song. Press **[START/STOP]** to stop playing. During the playing process, you can also press the **[0-9]** number or **[+/-]** to select other demonstration songs. The selected demonstration song will then play repeatedly.

CONNECTIONS

31. MICROPHONE INPUT

Connect a microphone to the MIC port to sing while playing the keyboard.

32. HEADPHONES/OUTPUT

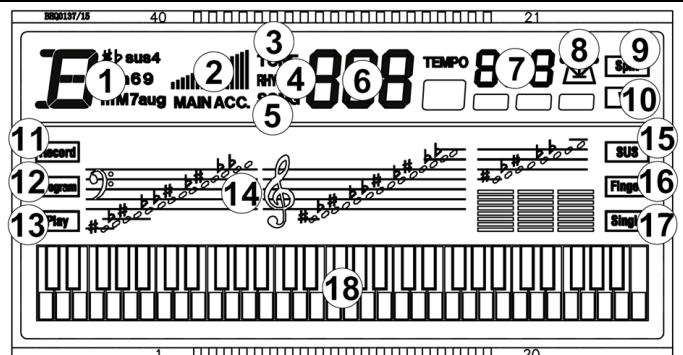
When connecting headphones to the PHONES/OUTPUT port, the loudspeaker will be disabled automatically. You can perform without disturbing others and other disturbing you.

33. DC 9V INPUT

Socket for plugging in the supplied DC-9V adapter.

DISPLAY

1. Chord display Area
2. Volume
3. Tone
4. Rhythm
5. Demo
6. Number display
7. Tempo
8. Beat (metronome shows the current beat)
9. Split
10. Vibrato
11. Record
12. Program
13. Play
14. Staff notation
15. Sustain
16. Finger chord
17. Single chord
18. Black/white key display



BEFORE YOU START

POWERSUPPLY:

- **Using AC-DC adapter:**

Use the special power adapter that is equipped with this electronic keyboard or a power adaptor with DC 9V out voltage 500mA. Insert the DC plug or power adaptor into the DC 9V power jack in the rear panel of the electronic keyboard, insert the other end into Main socket, turn on power switch and start performance.

- **Using batteries: (not included):**

Open the battery compartment cover located on the bottom panel of the Electronic keyboard. Insert 6 pcs AA batteries, being carefully to follow the polarity marking on the cabinet. Replace the compartment cover, making sure that it locks firmly in place.

- Place the music stand in the keyboard slot.

RECORDING

Press **[Rec]** to enable the recording function, "rEC" will show on the display. In this mode all played notes will be recorded. The maximum record quantity is 48 notes. When storage is full, "Ful" will flash on the display and recording will stop automatically. Press **[Play]** to playback the recorded notes, "Ply" will show on the screen. On completion of playback, "rEC" will show on the display. You can record a new Rhythm, or you can press **[Play]** to playback the recorded Rhythm.

Press **[Program]** to enter into Rhythm programming mode. Press 6 kinds of panel percussion or keyboard to program a paragraph of Rhythm. The edited Rhythm can record 32 drum points at maximum. Press **[Play]** to play the edited drum sound in sequence, forming a kind of self-made Rhythms after programming was finished. The best Rhythm play effect can be get by adjusting **[Temp +/-]** buttons. Every time you press **[Program]** it will clear last memory and enter into programming mode again.

TEACHING FUNCTION

One key teaching:

To choose the song you need to learn by number buttons and **[+]** or **[-]** buttons after **[One key teaching]** was pressed down. The LCD display screen displays the present song number. One key teaching function is special for the learning of songs. It will remind the note that should be played at the present. It doesn't have requirement about the pitch and correctness of the notes.. One song was learned over, it will repeatedly learn present song or next song automatically. Pressing **[Start/stop]** or pressing **[One key teaching]** again to exit the teaching function.

Follow teaching:

To choose the song you need to learn by number buttons and **[+]** or **[-]** buttons after **[Follow teaching]** was pressed down. Follow teaching function is special for following to play correct notes to proceed with the learning You can proceed with play based on the DEMO. The keyboard will remind the note that should be played at the present. You can learn based on the keys 'value of notes displayed in the LCD screen. The song can continue to play if you play corresponding notes. The song will be in waiting state all the time until you play correct notes. Pressing **[Start/stop]** or pressing **[Follow teaching]** again to exit the teaching function.

Note: The correct played keynotes can be play, there is no response to the wrong played keys in the following teaching function mode. It will repeatedly learn present song or next song automatically.

NEDERLANDS

Hartelijk dank voor de aanschaf van dit MAX Music product. Neemt U a.u.b. een paar momenten de tijd om deze handleiding zorgvuldig te lezen, aangezien wij graag willen dat u onze producten snel en volledig gebruikt.

Lees deze handleiding eerst door alvorens het product te gebruiken. Volg de instructies op anders zou de garantie wel eens kunnen vervallen. Neem ook altijd alle veiligheidsmaatregelen om brand en/of een elektrische schok te voorkomen. Tevens is het ook raadzaam om reparaties / modificaties e.d. over te laten aan gekwalificeerd personeel om een elektrische schok te voorkomen. Bewaar deze handleiding ook voor toekomstig gebruik.

Bewaar de verpakking zodat u indien het apparaat defect is, dit in de originele verpakking kunt opsturen om beschadigingen te voorkomen.

- Voordat het apparaat in werking wordt gesteld, altijd eerst een deskundige raadplegen. Bij het voor de eerste keer inschakelen kan een bepaalde reuk optreden. Dit is normaal en verdwijnt na een poos.
- In het apparaat bevinden zich onder spanning staande onderdelen; open daarom NOOIT dit apparaat.
- Plaats geen metalen objecten en mors geen vloeistof in het effect. Dit kan leiden tot elektrische schokken of defecten.
- Toestel niet opstellen in de buurt van warmtebronnen zoals radiatoren etc. en niet op een vibrerende onder- grond plaatsen. Dek ventilatieopeningen nooit af.
- Het apparaat is niet geschikt voor continu gebruik.
- Wees voorzichtig met het netsnoer en beschadig deze niet. Als het snoer kapot of beschadigd is, kan dit leiden tot elektrische schokken of defecten.
- Als u de stekker uit het stopcontact neemt, trek dan niet aan het snoer, maar aan de stekker.
- Om brand of elektrische schok te voorkomen, dient u dit apparaat niet bloot te stellen aan regen of vocht.
- Verwijder of plaats een stekker nooit met natte handen resp. uit en in het stopcontact.
- Indien zowel de stekker en/of netsnoer als snoeringang in het apparaat beschadigd zijn dient dit door een vakman hersteld te worden.
- Indien het apparaat zo beschadigd is dat inwendige (onder)delen zichtbaar zijn mag de stekker NOOIT in het stopcontact worden geplaatst en het apparaat NOOIT worden ingeschakeld. Neem in dit geval contact op met de dealer.
- Sluit het apparaat nooit op een dimmer aan.
- Reparatie aan het apparaat dient te geschieden door een vakman of een deskundige.
- Sluit het apparaat alleen aan op een 220-240VAC / 50Hz (geaard) stopcontact, verbonden met een 10-16A meterkastgroep.
- Bij onweer altijd de stekker uit het stopcontact halen, zo ook wanneer het apparaat voor een langere tijd niet gebruikt wordt. Stelregel: Bij geen gebruik stekker verwijderen.
- Als u het apparaat lang niet gebruikt heeft en het weer wil gebruiken kan er condens ontstaan; laat het apparaat eerst op kamertemperatuur komen alvorens het weer in werking te stellen.
- Apparaat nooit in vochtige ruimten en buiten gebruiken.
- Om ongevallen in bedrijven te voorkomen moet rekening worden gehouden met de daarvoor geldende richtlijnen en moeten de aanwijzingen/waarschuwingen worden gevolgd.
- Het apparaat buiten bereik van kinderen houden. Bovendien mag het apparaat nooit onbeheerd gelaten worden.
- Gebruik geen schoonmaakspray om de schakelaars te reinigen. Restanten van deze spray zorgen ervoor dat smeer en stof ophopen. Raadpleeg bij storing te allen tijde een deskundige.
- Gebruik geen overmatige kracht bij het bedienen van het apparaat.
- Dit apparaat kan magnetisch veld veroorzaken. Houd dit apparaat ten minste 60 cm afstand van de computer of tv.
- Indien dit apparaat beschikt over een loodaccu, dient deze tenminste elke 3 maanden opgeladen te worden indien deze voor een langere periode niet wordt gebruikt anders bestaat de kans dat de accu permanent beschadigd.
- Bij een ongeval met dit product altijd eerst een deskundige raadplegen alvorens opnieuw te gebruiken.
- Tracht het apparaat niet schoon te maken met chemische oplossingen. Dit kan de lak beschadigen. Gebruik een droge doek om schoon te maken.
- Blijf uit de buurt van elektronische apparatuur die bromstoringen zouden kunnen veroorzaken.
- Bij reparatie dienen altijd originele onderdelen te worden gebruikt om onherstelbare beschadigingen en/of ontoelaatbare straling te voorkomen.
- Schakel eerst het toestel uit voordat u het netsnoer verwijdert. Verwijder netsnoer en aansluitsnoeren voordat u dit product gaat verplaatsen.
- Zorg ervoor dat het netsnoer niet beschadigd/defect kan raken wanneer mensen erover heen lopen. Het netsnoer vóór ieder gebruik controleren op breuken/defecten!
- In Nederland/België is de netspanning 220-240Vac/50Hz. Indien u reist (en u neemt het apparaat mee) informeer dan naar de netspanning in het land waar u verblijft



Deze markering wordt weergegeven om u erop attent te maken dat een levensgevaarlijke spanning in het product aanwezig is en dat bij aanraking van deze delen een elektrische schok wordt verkregen.



Deze instructiemarkering wordt weergegeven om u erop te wijzen dat de instructie zeer belangrijk is om te lezen en/of op te volgen.

OPMERKING: Om zeker te zijn van een correcte werking, dient u dit apparaat in een ruimte te gebruiken waar de temperatuur tussen de 5°C/41°F en 35°C/95°F ligt.



Raadpleeg eventueel www.wecycle.nl en/of www.vrom.nl v.w.b. het afdanken van elektronische apparaten in het kader van de WEEE-regeling. Vele artikelen kunnen worden gerecycled, gooi ze daarom niet bij het huisvuil maar lever ze in bij een gemeentelijk depot of uw dealer. Lever ook afgedankte batterijen in bij uw gemeentelijk depot of bij de dealer, zie www.stibat.nl

Alle (defecte) artikelen dienen gedurende de garantieperiode altijd retour te worden gezonden in de originele verpakking. Voer zelf geen reparaties uit aan het toestel; in elk geval vervalt de totale garantie. Ook mag het toestel niet eigenmachtig worden gemodificeerd, ook in dit geval vervalt de totale garantie. Ook vervalt de garantie bij ongevallen en beschadigingen in elke vorm t.g.v. onoordeelkundig gebruik en het niet in acht nemen van het gestelde in deze gebruiksaanwijzing. Tevens aanvaardt MAX Music geen enkele aansprakelijkheid in geval van persoonlijke ongelukken als gevolg van het niet naleven van veiligheidsinstructies en waarschuwingen. Dit geldt ook voor gevolgschade in welke vorm dan ook

UITPAKKEN

LET OP! Pak de doos zorgvuldig uit. Controleer de inhoud om ervoor te zorgen dat alle onderdelen aanwezig zijn en in goede staat zijn ontvangen. Bij transportschade of ontbreken van onderdelen onmiddellijk de verkopende partij inlichten. Bewaar de verpakking en het verpakkingsmateriaal. Indien het product moet worden teruggestuurd, is het belangrijk dat het product in originele verpakking wordt geretourneerd. Schakel het apparaat niet onmiddellijk in als het is blootgesteld aan drastische temperatuurverschillen (bv. na het transport). De ontstane condensatie kan het apparaat beschadigen. Zorg ervoor dat het apparaat op kamertemperatuur komt en steek vervolgens de stekker in het stopcontact.

AANSLUITSPANNING

Op het label aan de onderzijde van het product staat aangegeven op welke netspanning deze moet worden aangesloten. Controleer of de netspanning hiermee overeenkomt, bij alle andere netspanningen dan aangegeven kan het apparaat onherstelbaar worden beschadigd. Tevens moet het apparaat direct op de netspanning worden aangesloten en mag géén dimmer of regelbare voeding worden gebruikt.

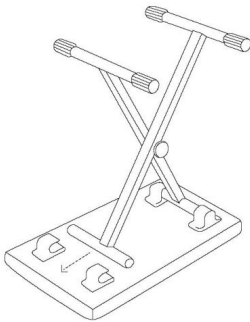


Sluit het apparaat altijd aan op een beschermd circuit (aardlekschakelaar of zekering). Zorg ervoor dat het apparaat voldoende elektrisch is geaard om het risico op elektrocutie of brand te vermijden.

MONTAGE INSTRUCTIE BANK

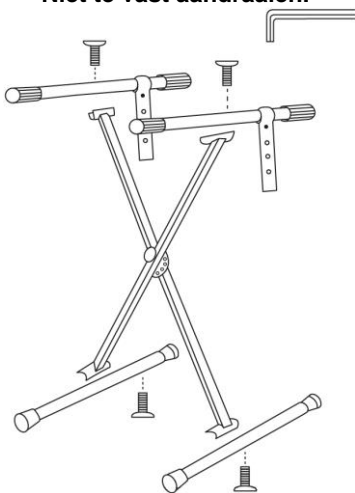
1. Plaats de zitting ondersteboven.
2. Til zowel de linker- als de rechterpoot omhoog.
3. Schuif de pootsteunen in de beugels om de poten te vergrendelen.
4. Draai de doppen om de bank te stabiliseren.

OPMERKING: zorg ervoor dat de beensteunen helemaal in de beugel zitten.
Ga zitten en speel muziek zoals nooit tevoren.



MONTAGE-INSTRUCTIE KEYBOARD STANDAARD

1. Plaats de poten op de vloer in de positie zoals aangegeven in de illustratie.
2. Bevestig de X-steun met de schroeven aan de voeten met behulp van de inbussleutel
3. Plaats de bovenste steunbalken op het bovenste deel van de beugel en zet ze vast met de schroeven met de inbussleutel.
Niet te vast aandraaien.



BEDIENING



1. LUIDSPREKERS

Luidsprekers om het geluid van de afgespeelde muziek weer te geven. Het geluidsniveau wordt bepaald aan de hand van de volume-instelling.

2. POWER

Deze knop indrukken om het keyboard aan/uit te zetten.

3. HOOFDVOLUME

Druk op **[Master Vol +]** of **[Master Vol -]** om het hoofdvolume hoger of lager te zetten. Het keyboard heeft 9 volumenniveaus van 00 tot 08.

4. RHYTHM VOLUME

Druk op **[Rhythm vol +/-]** om het ritmevolume hoger of lager te zetten. Het standaardvolume is 06. Druk tegelijkertijd op beide toetsen **[Rhythm vol +/-]** om het standaardvolume van het ritme automatisch te herstellen.

5. FINE TUNING

Druk op de toetsen fine tuning **[+ of -]** om de toon op microniveau te regelen binnen het bereik van +/- 99 niveaus tussen de twee verbindingstonen. Blijf op de toetsen **[+ of -]** drukken om de niveaus te verhogen of verlagen. Druk tegelijkertijd op beide toetsen **[+/-]** om terug te keren naar het oorspronkelijk ingestelde niveau.

6. TRANSPOSE

Druk op de **[Transpose + of -]** toetsen om de Transpose-waarde +/- 6 niveaus te verhogen of te verlagen en de toonhoogte van het hele keyboard in halve toonafstanden omhoog of omlaag te verschuiven. Druk tegelijkertijd op de **[Transpose + of -]** toetsen om weer terug te keren naar de standaardstatus van de keyboardtoon.

7. SINGLE CHORD

Druk op de **[Start/Stop]** toets om de automatische begeleiding te starten. Druk vervolgens op de **[Single chord]** toets om de 1 vinger begeleiding te starten. Druk op een willekeurige toets van de linker 19 toetsen om het ritme te starten. Druk op een andere toets van het linker toetsenbord om een ander akkoord te selecteren. De toets die je indrukt bepaalt altijd de grondtoon van het akkoord dat je speelt. Druk nogmaals op de **[Start/Stop]** toets om het effect te beëindigen.

8. FINGER CHORD

Druk op **[Start/Stop]** om de automatische begeleiding te starten. Druk op de **[Finger chord]** toets om de vingerbegeleiding te starten. Druk op een willekeurige toets van de linker 19 toetsen om het ritme te starten. Druk op een andere toets van het linker toetsenbord om een ander akkoord te selecteren. Zodra je een willekeurig akkoord in het begeleidingsgedeelte van het keyboard speelt, zal het akkoord samen met het ritme automatisch beginnen te spelen. De toets die je indrukt zal altijd de begintoon van het gespeelde akkoord bepalen. Druk nogmaals op de **[Start/Stop]** toets om het effect te beëindigen.

9. LOW CHORD

Druk op de **[Low chord]** toets om het basseffect te veranderen.

10. CHORD CLEAR

Druk op de **[Chord clear]** toets om de begeleiding via akkoorden te beëindigen, het ritme zal verder spelen.

11. START/STOP

Druk op deze toets om de geselecteerde programma's te starten of te stoppen.

12. SYNC

Druk op de **[SYNC]** toets in de ritme modus. Speel een willekeurige toets in de akkoord toets zone af (de 1ste-19de toets, van links) om het begeleidingsritme te activeren.

13. FILL IN

Druk op de **[FILL-IN]** toets om een variatie toe te voegen aan het ritme. De gespeelde opvulling wordt bepaald door het gekozen begeleidingsritme. Na de opvulling wordt het gekozen begeleidingsritme verder gespeeld.

14. INTRO/ENDING

Druk op de **[Intro/Ending]** toets voordat het ritme is gestart, het keyboard zal een intro van een bepaalde lengte uitvoeren, waarna deze terugkeert naar het relatieve normale ritme. Druk op de **[Intro/Ending]** toets nadat het ritme is gestart, het keyboard voert een relatief eind uit om te stoppen.

15. BEAT

Er zijn 4 soorten beatstemmen opgeslagen op het keyboard: 1/4 beat, 2/4 beat, 3/4 beat en 4/4 beat. Druk tegelijkertijd op de **[BEAT]** toetsen voor de verschillende beats.

16. TEMPO

Druk op de **[Tempo +]** of **[Tempo -]** toetsen om de snelheid van het ritme te verhogen of te verlagen.

17. KEYBOARD PERCUSSIONS

Druk op één van de percussieknoppen. Er zijn 6 soorten percussie beschikbaar voor dit keyboard.

- Hi-Hat Open
- Hi-Hat Closed
- Snare L
- Bongo L
- Bass Drum H Soft
- Bass Drum L

18. ONE KEY TRAINING

Druk op de **[One Key]** toets om de functie voor het aanleren van één toets in te schakelen. Druk op de cijfertoetsen **[1-9]** of **[+/-]** om de te leren song te selecteren. Training met één toets is gericht op het aanleren van een song en er worden geen eisen gesteld aan toonhoogte of creativiteit. In deze modus zijn fouten bij het spelen van de toetsen toegestaan, het toetsenbord blijft de juiste noten spelen.

19. FOLLOW TEACHING

Druk op de **[Follow teaching]** toetsen om de volgfunctie in te schakelen. Druk op de **[+/-]** toetsen om het de leren song te selecteren. Met Volgtraining kunt u leren door de juiste speelnoten te volgen. Het programma wacht tot u de juiste noot speelt voordat deze naar de volgende gaat. In deze modus speelt het keyboard alleen de juiste noten en geeft het geen respons op de verkeerde noten. Volg het display om de noot correct te spelen en speel vervolgens de volgende noot die automatisch op het display wordt weergegeven.

20. SUSTAIN

Druk op de **[Sustain]** toets en de noten die op het keyboard worden gespeeld, zullen geleidelijk vervagen nadat u uw vinger van het keyboard hebt gehaald. Druk nogmaals op deze knop om het sustain effect uit te schakelen.

21. VIBRATO

Druk op de **[Vibrato]** toets en het vibrato-effect wordt geactiveerd. Druk nogmaals op deze knop om het vibrato-effect uit te schakelen.

22. KEYBOARD SPLIT

Druk op de **[Keyboard split]** toets om het toetsenbord te verdelen in een linkerkant en een rechterkant. De linker 24 toetsen vormen de linkerkant en de rest van de toetsen wordt verdeeld in de rechterkant. De klank op het rechter toetsenbord kan worden geselecteerd door op de numerieke groepsknoppen te drukken. De klank op het linker toetsenbord wordt in eerste instantie ingesteld door de producer. Druk nogmaals op de knop om het splitseffect uit te schakelen.

23. NUM-PAD

Druk op de **[+/-]** toetsen of "0" tot "299" op het numerieke toetsenbord om een waarde te selecteren.

24. LCD DISPLAY

Weergave van de huidige modus, de te spelen noten, het ritme, het tempo, enz.

25. RECORD

Druk op de **[Rec]** toets om de opnamefunctie in te schakelen, "REC" verschijnt op het display.

26. PROGRAM

Druk op de **[Prog]** toets om de ritme-programmeerfunctie in te schakelen.

27. PLAY

Druk op de **[Play]** toets om de opgenomen noten of ritmes af te spelen.

28. VOICE

Er zijn 300 verschillende soorten voices (Bijlage I). Druk op de **[Voice]** toets om een voice te kiezen. U kunt op het **[0-9]** nummer drukken of op **[+/-]** toetsen. De Voice begint met "000" tot "299".

29. RHYTHM

Er zijn 300 verschillende soorten ritmes (Bijlage II). Druk op de **[Start/Stop]** toets om het gewenste ritme te starten. Het ritme start van "000" tot "299".

30. DEMO

Dit keyboard heeft 50 opgeslagen demo songs ("000" tot "049") voor uw selectie (Bijlage III). Druk op de **[DEMO]** toets en de standaard demo song zal beginnen te spelen. Druk tijdens het afspelen op de **[DEMO]** toets om de volgende demosong af te spelen. Druk wederom op de **[START/STOP]** toets om het afspelen te stoppen. Tijdens het afspelen kunt u ook op de numerieke toetsen of de **[+]** / **[-]** toetsen drukken om andere demosongs te selecteren. De geselecteerde demosong wordt dan herhaaldelijk afgespeeld

AANSLUITINGEN

31. MICROFOONINGANG

Sluit een microfoon aan op de MIC poort om te zingen terwijl je op het keyboard speelt.

32. HOOFDTELEFOON/UITGANG

Als u een hoofdtelefoon aansluit op de PHONES/OUTPUT-poort, wordt de luidspreker automatisch uitgeschakeld. U kunt dan spelen zonder anderen te storen.

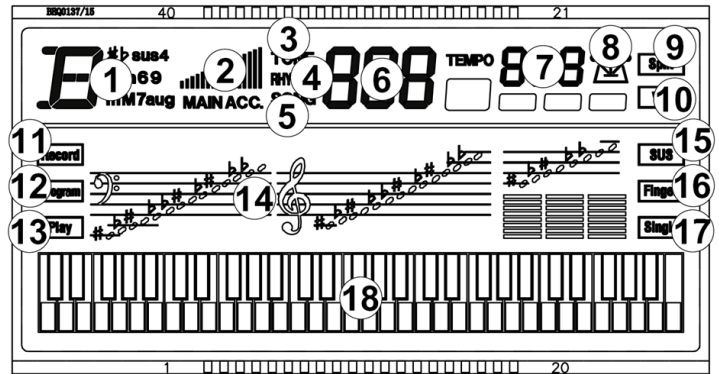
33. DC-9V INGANG

Aansluiting voor de meegeleverde 9V adapter.



DISPLAY

1. Chord display Area
2. Volume
3. Tone
4. Rhythm
5. Demo
6. Number display
7. Tempo
8. Beat (metronome shows the current beat)
9. Split
10. Vibrato
11. Record
12. Program
13. Play
14. Staff notation
15. Sustain
16. Finger chord
17. Single chord
18. Black/white key display



VOORDAT U BEGINT

VOEDING AANSLUITEN:

AC-DC adapter gebruiken:

- Gebruik de speciale voedingsadapter die met dit elektronische toetsenbord is meegeleverd of een voedingsadapter met DC 9V uitgangsspanning 500mA. Steek de DC-stekker of de voedingsadapter in de DC 9V voedingsaansluiting op het achterpaneel van het keyboard, steek het andere uiteinde in het stopcontact, zet de voedingschakelaar aan en start met spelen.

Batterijen gebruiken: (niet meegeleverd):

- Open het klepje van het batterijvak aan de onderkant van het keyboard. Plaats 6 AA-batterijen en let daarbij goed op de polariteitsmarkering op de behuizing. Plaats het klepje terug en zorg ervoor dat deze stevig vastklikt.
- Plaats de muziekstandaard in de sleuf van het toetsenbord

OPNAME FUNCTIE

Druk op de **[Rec]** toets om de opnamefunctie in te schakelen, "REC" zal op het display verschijnen. In deze modus worden alle gespeelde noten opgenomen. De maximale opnamehoeveelheid is 48 noten. Als het geheugen vol is, knippert "Full" op het display en stopt de opname automatisch. Druk op de **[Play]** toets om de opgenomen noten af te spelen, "Play" verschijnt op het scherm. Na het afspelen verschijnt "REC" op het display. U kunt een nieuw ritme opnemen of op de **[Play]** toets drukken om het opgenomen ritme af te spelen.

Druk op de **[Program]** toets om naar de Ritme programmeermodus te gaan. Druk op de 6 soorten paneelpercussie op het keyboard om een paragraaf van het ritme te programmeren. Het bewerkte ritme kan maximaal 32 drumpunten opnemen. Druk op de **[Play]** toets om het bewerkte drumgeluid achter elkaar af te spelen en zo een soort zelfgemaakte ritmes te vormen nadat het programmeren klaar is. Het beste ritme-afspeleffect krijg je door de **[Temp +/-]** knoppen aan te passen. Elke keer dat je op de **[Program]** toets drukt, wordt het laatste geheugen gewist en kom je weer in de programmeerstand.

TRAININGSFUNCTIE

Leren met één toets:

Kies de song die je wilt leren met de cijfertoetsen of de **[+]** of **[-]** toetsen nadat de **[One key teaching]** toets is ingedrukt. Het LCD scherm toont het huidige nummer. De functie voor het aanleren van één toets is speciaal voor het aanleren van muziknummers. Het herinnert u aan de noot die op dat moment gespeeld moet worden. De toonhoogte en correctheid van de noten zijn niet vereist. Door op de **[Start/stop]** toets te drukken of nogmaals op de **[One key teaching]** toets te drukken, verlaat u de trainingsfunctie.

Trainingsfunctie volgen:

Kies de te leren song met de cijfertoetsen en de **[+]** of **[-]** toetsen nadat de **[Follow teaching]** toets is ingedrukt.

De Follow teaching functie is speciaal voor het trainen om de juiste noten te spelen om verder te gaan met het leren. U kunt verder gaan met spelen op basis van de DEMO song. Deze keyboard herinnert u aan de noot die op dat moment gespeeld moet worden. U kunt leren op basis van het spelen van de noten die op het LCD-scherm worden weergegeven. De song wordt verder gespeeld als u de juiste toetsen in drukt. De song blijft de hele tijd in de wachtstand totdat u de juiste noten speelt. Als u op de **[Start/stop]** toets drukt of nogmaals op de **[Follow teaching]** toets drukt, wordt de trainingsfunctie afgesloten.

Opmerking: De correct gespeelde toetsen kunnen worden afgespeeld, er is geen reactie op de verkeerd gespeelde toetsen. Het huidige nummer of het volgende nummer wordt automatisch herhaald.

DEUTSCH

Vielen Dank für den Kauf dieses MAX Music gerat. Nehmen Sie sich einen Augenblick Zeit, um diese Anleitung sorgfältig durchzulesen, damit sie die Möglichkeiten, die unser Produkt bietet, sofort voll ausnutzen können.

Lesen Sie erst die Anleitung vollständig vor der ersten Inbetriebnahme durch. Befolgen Sie die Anweisung, da sonst jeglicher Garantieanspruch verfällt. Treffen Sie stets alle Sicherheits-vorkehrungen um Feuer und/oder Stromschlag zu vermeiden. Reparaturen dürfen nur von qualifiziertem Fachpersonal ausgeführt werden, um Stromschlag zu vermeiden. Bewahren Sie diese Anleitung für spätere Bezugnahme auf.

- Bewahren Sie die Verpackung auf, um das Gerät im Bedarfsfall sicher transportieren zu können.
 - Bevor das Gerät in Betrieb genommen wird, muss es erst von einem Fachmann überprüft werden. Bei der ersten Benutzung kann etwas Geruch auftreten. Das ist normal und verschwindet nach einer Weile
 - Das Gerät enthält unter Spannung stehende Teile. Daher NIEMALS das Gehäuse öffnen.
 - Keine Metallgegenstände oder Flüssigkeiten ins Gerät dringen lassen. Sie können zu Stromschlag und Defekten führen.
 - Gerät nicht in der Nähe von Wärmequellen wie Heizkörpern aufstellen. Nicht auf eine vibrierende Oberfläche stellen. Niemals die Belüftungsschlitze abdecken.
 - Das Gerät ist nicht für Dauerbetrieb geeignet.
 - Gehen Sie vorsichtig mit dem Netzkabel um und beschädigen Sie es nicht. Eine beschädigte Netzschnur kann zu Stromschlag und Defekten führen.
 - Wenn Sie das Gerät vom Netz trennen, immer am Stecker ziehen, niemals an der Schnur.
 - Um Feuer und Stromschlag zu vermeiden, das Gerät vor Regen und Feuchtigkeit schützen.
 - Den Stecker nie mit nassen Händen in eine Netzsteckdose stecken oder abziehen.
 - Wenn sowohl der Stecker und/oder die Netzschnur bzw. der Kabeleintritt ins Gerät beschädigt sind, müssen sie von einem Fachmann repariert werden.
 - Wenn das Gerät so beschädigt ist, dass Innenteile sichtbar sind, darf der Stecker NICHT in eine Steckdose gesteckt werden und das Gerät darf NICHT eingeschaltet werden. Wenden Sie sich in dem Fall an Ihren Fachhändler. Das Gerät darf nicht an einen Dimmer angeschlossen werden.
 - Reparaturen dürfen nur von einem Fachmann oder Sachverständigen ausgeführt werden.
 - Das Gerät nur an eine geerdete 10-16A Netzsteckdose mit 220-240V AC/50Hz Spannung anschließen.
 - Bei Gewitter oder längerem Nichtgebrauch den Netzstecker abziehen. Die Regel gilt: Bei Nichtgebrauch Netzstecker abziehen.
 - Wenn das Gerät längere Zeit nicht benutzt wurde, kann sich Kondenswasser gebildet haben. Lassen Sie das Gerät erst auf Zimmertemperatur kommen, bevor Sie es einschalten.
- Das Gerät nicht in feuchten Räumen oder im Freien benutzen.
 - Um Unfällen in der Öffentlichkeit vorzubeugen, müssen die geltenden Richtlinien beachtet und die Anweisungen/Warnungen befolgt werden.
 - Niemals das Gerät kurz hintereinander ein- und ausschalten. Dadurch verkürzt sich die Lebensdauer erheblich.
 - Das Gerät außerhalb der Reichweite von Kindern halten. Das Gerät niemals unbeaufsichtigt lassen.
 - Die Regler nicht mit Reinigungssprays reinigen. Diese hinterlassen Rückstände, die zu Staub- und Fettsammlungen führen. Bei Störungen immer einen Fachmann um Rat fragen.
 - Das Gerät nur mit sauberen Händen bedienen.
 - Das Gerät nicht mit Gewalt bedienen.
 - Dieses Gerät kann dazu führen Magnetfeld. Halten Sie das Gerät mindestens 60 cm vom Computer oder Fernseher.
 - Wenn dieses Gerät eine Blei-Säure-Batterie hat, soll dies jede 3 Monate zumindest wieder aufgeladen werden, wenn es nicht für eine längere Zeit nicht benutzt wird, sonst ist es möglich, dass die Batterie dauerhaft beschädigt.
 - Fachmann um Rat fragen, bevor Sie es wieder einschalten.
 - Keine chemischen Reinigungsmittel benutzen, die den Lack beschädigen. Das Gerät nur mit einem trockenen Tuch abwischen.
 - Nicht in der Nähe von elektronischen Geräten benutzen, die Brummstörungen verursachen können.
 - Bei Reparaturen nur die Original-Ersatzteile verwenden, um starke Schäden und/oder gefährliche Strahlungen zu vermeiden.
 - Bevor Sie das Netz- und/oder Anschlusskabel abziehen, erst das Gerät ausschalten. Netz- und Anschlusskabel abziehen, bevor Sie das Gerät umstellen.
 - Sorgen Sie dafür, dass das Netzkabel nicht beschädigt werden kann, wenn Menschen darüber laufen. Das Netzkabel vor jedem Einsatz auf Brüche/Schadstellen überprüfen.
 - In Deutschland beträgt die Netzspannung 220-240V AC / 50Hz. Wenn Sie das Gerät auf Reisen mitnehmen, prüfen Sie, ob die örtliche Netzspannung den Anforderungen des Geräts entspricht.



Dieses Zeichen weist den Benutzer darauf hin, dass lebensgefährliche Spannungen im Gerät anliegen, die bei Berührung einen Stromschlag verursachen.



Dieses Zeichen lenkt die Aufmerksamkeit des Benutzers auf wichtige Hinweise in der Anleitung hin, die unbedingt eingehalten werden müssen.

HINWEIS: Um einen einwandfreien Betrieb zu gewährleisten, muss die Raumtemperatur zwischen 5° und 35°C liegen.



Tronios BV Registrierungsnummer : DE51181017 (ElektroG).

Dieses Produkt darf am Ende seiner Lebensdauer nicht über den normalen Haushaltsabfall entsorgt werden, sondern muss an einem Sammelpunkt für das Recycling abgegeben werden. Hiermit leisten Sie einen wichtigen Beitrag zum Schutze unserer Umwelt.

Tronios BV Registrierungsnummer : 21003000 (BatterieG).

Lithiumbatterien und Akkupacks sollten nur im entladenen Zustand in die Altbatteriesammelgefäße bei Handel und bei öffentlich-rechtlichen Entsorgungsträgern gegeben werden. Bei nicht vollständig entladenen Batterien Vorsorge gegen Kurzschluss treffen durch Isolieren der Pole mit Klebestreifen. Der Endnutzer ist zur Rückgabe von Altbatterien gesetzlich verpflichtet.

Reparieren Sie das Gerät niemals selbst und nehmen Sie niemals eigenmächtig Veränderungen am Gerät vor. Sie verlieren dadurch den Garantieanspruch. Der Garantieanspruch verfällt ebenfalls bei Unfällen und Schäden in jeglicher Form, die durch unsachgemäßen Gebrauch und Nichtbeachtung der Warnungen und Sicherheitshinweise in dieser Anleitung entstanden sind. MAX Music ist in keinem Fall verantwortlich für persönliche Schäden in Folge von Nichtbeachtung der Sicherheitsvorschriften und Warnungen. Dies gilt auch für Folgeschäden jeglicher Form.

ANLEITUNG ZUM AUSPACKEN

VORSICHT! Packen Sie den Karton nach Erhalt vorsichtig aus. Überprüfen Sie den Inhalt, um sicherzustellen, dass alle Teile vorhanden sind und in gutem Zustand erhalten wurden. Benachrichtigen Sie sofort den Spediteur und bewahren Sie das Verpackungsmaterial auf, wenn Teile durch den Transport beschädigt wurden oder das Paket selbst Anzeichen von unsachgemäßer Handhabung aufweist. Bewahren Sie die Verpackung und alle Verpackungsmaterialien auf. Wenn das Produkt zurückgeschickt werden muss, ist es wichtig, dass es im Originalkarton und in der Originalverpackung zurückgeschickt wird. Wenn das Gerät drastischen Temperaturschwankungen ausgesetzt war (z. B. nach dem Transport), schalten Sie es nicht sofort ein. Das entstehende Kondenswasser könnte Ihr Gerät beschädigen. Lassen Sie das Gerät ausgeschaltet, bis es Raumtemperatur erreicht hat.

STROMVERSORGUNG

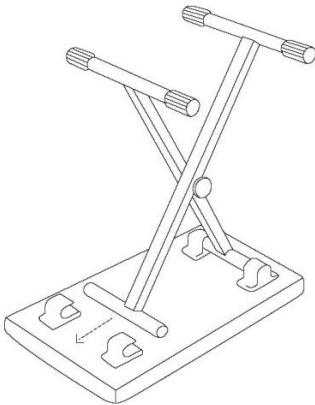
Das Etikett auf der Rückseite/Unterseite des Produkts gibt die Netzspannung an, an die es angeschlossen werden muss. Überprüfen Sie, ob die Netzspannung damit übereinstimmt. Eine andere als die angegebene Spannung kann zu irreparablen Schäden am Gerät führen. Das Gerät muss außerdem direkt an die Netzspannung angeschlossen werden, und es darf kein Dimmer oder eine regelbare Stromversorgung verwendet werden.

Schließen Sie das Gerät immer an einen geschützten Stromkreis an (Schutzschalter oder Sicherung). Vergewissern Sie sich, dass das Gerät über eine geeignete elektrische Erdung verfügt, um die Gefahr eines Stromschlags oder Brands zu vermeiden.

MONTAGEANLEITUNG BANK

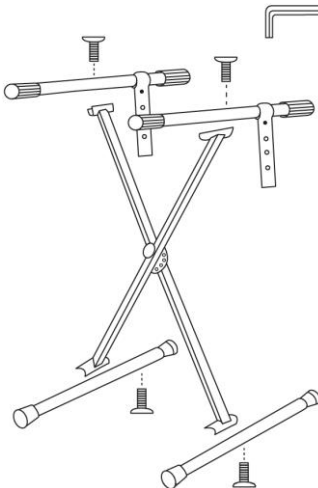
1. Stellen Sie den Sitz auf den Kopf.
2. Heben Sie sowohl das linke als auch das rechte Bein nach oben.
3. Schieben Sie die Beinstützen in die Halterungen, um die Beine in ihrer Position zu verriegeln.
4. Drehen Sie die Kappen, um die Bank zu stabilisieren.

HINWEIS: Achten Sie darauf, dass die Beinstützen ganz in der Halterung sitzen. Setzen Sie sich hin und spielen Sie Musik wie nie zuvor.



MONTAGEANLEITUNG STÄNDER

1. Stellen Sie die Füße in der in der Abbildung angegebenen Position auf den Boden.
2. Befestigen Sie die X-Halterung mit den Schrauben an den Füßen mit Hilfe des Inbusschlüssels.
3. Setzen Sie die oberen Stützstäbe auf den oberen Teil der Halterung und befestigen Sie sie mit den Schrauben und dem Inbusschlüssel. **Nicht zu fest anziehen.**



BEDIENUNG



1. **LAUTSPRECHER**
Lautsprecher zur Wiedergabe der gespielten Musik. Die Lautstärke wird anhand der Lautstärkeeinstellung bestimmt.
2. **POWER**
Drücken Sie diese Taste, um das Gerät ein-/auszuschalten.
3. **MASTER VOLUME**
Drücken Sie **[Master Vol +]** oder **[Master Vol -]**, um die Master-Lautstärke zu erhöhen oder zu verringern. Die Tastatur hat 9 Lautstärkeebenen von 00 bis 08.
4. **RHYTHM VOLUME**
Drücken Sie **[Rhythm Vol +]** oder **[Rhythm Vol -]**, um die Akkordeonlautstärke zu erhöhen oder zu verringern. Die Standardlautstärke ist 06. Durch gleichzeitiges Drücken von **[vol +]** und **[vol -]** wird die Standardlautstärke des Rhythmus automatisch wiederhergestellt.
5. **FINE TUNING**
Drücken Sie die Feineinstellungstaste **[+ oder -]**, um die Klangfarbe innerhalb eines Bereichs von +/- 99 Stufen zwischen den beiden Verbindungstönen zu regeln. Halten Sie **[+ oder -]** gedrückt, um die Lautstärke kontinuierlich zu erhöhen oder zu verringern. Drücken Sie **[+ und -]** gleichzeitig, um zum ursprünglich eingestellten Pegel zurückzukehren.
6. **TRANSPOSE**
Drücken Sie **[Transpose +/-]**, um den Transpositionswert um +/- 6 Stufen zu erhöhen oder zu verringern und die Tonhöhe der gesamten Tastatur in Halbtönen nach oben oder unten zu verschieben. Drücken Sie gleichzeitig die Taste **[Transpose +/-]** um zum Standardstatus der Tastatur zurückzukehren.
7. **SINGLE CHORD**
Drücken Sie **[Start/Stop]**, um die automatische Begleitung zu starten. Drücken Sie dann **[Single chord]**, um die Einfingerbegleitung zu starten. Drücken Sie eine beliebige Taste der linken 19 Tasten, um den Rhythmus zu starten. Drücken Sie eine andere Taste auf der linken Tastatur, um einen anderen Akkord auszuwählen. Eine Taste, die Sie drücken, bestimmt immer den Grundton des Akkords, den Sie gespielt haben. Drücken Sie erneut **[Start/Stop]**, um den Effekt zu beenden.
8. **FINGER-CHORD**
Drücken Sie **[Start/Stop]**, um die automatische Begleitung zu starten. Drücken Sie **[Finger Chord]**, um die Fingerbegleitung zu starten. Drücken Sie eine beliebige Taste der linken 19 Tasten, um den Rhythmus zu starten. Drücken Sie eine andere Taste auf der linken Tastatur, um einen anderen Akkord auszuwählen. Sobald Sie einen Akkord in der Begleitautomatik-Sektion der Tastatur spielen, wird der Akkord zusammen mit dem Rhythmus automatisch zu spielen begonnen. Drücken Sie erneut **[Start/Stop]**, um den Effekt zu beenden.
9. **LOW CHORD**
Drücken Sie **[Low chord]**, um den Effekt des Basses zu ändern.
10. **CHORD CLEAR**
Drücken Sie **[Chord clear]**, um die Begleitung im Akkordstatus zu beenden, der Rhythmus wird weiter gespielt.
11. **START/STOP**
Drücken Sie diese Taste, um die Wiedergabe des gewählten Programms zu starten oder zu stoppen.
12. **SYNC**
Im Rhythmusmodus drücken Sie **[SYNC]**. Spielen Sie eine beliebige Taste in der Akkordtastenzone (die 1. bis 19. Taste von links), um den Begleitrhythmus zu aktivieren.
13. **FILL-IN**
Drücken Sie **[FILL-IN]**, um während der Wiedergabe des Rhythmus jederzeit eine kurze Fill-in-Rhythmusvariation hinzuzufügen. Dann beginnt der normale Rhythmus ab dem nächsten Takt.
14. **INTRO/ENDING**
Wenn Sie **[Intro/Ending]** drücken, bevor der Rhythmus gestartet wurde, spielt das Keyboard ein längeres relatives Intro und kehrt dann zum relativen normalen Rhythmus zurück. Wenn Sie **[Intro/Ending]** drücken, nachdem der Rhythmus gestartet wurde, führt das Keyboard ein längeres relatives Ending aus, um zu stoppen.
15. **BEAT**
Es gibt 4 Arten von Beat-Voices, die auf dem Keyboard gespeichert sind: 1/4 Beat, 2/4 Beat, 3/4 Beat und 4/4 Beat. Drücken Sie **[Beat]** gleichzeitig für die verschiedenen Beats.
16. **TEMPO**
Drücken Sie **[Tempo +/-]**, um die Rhythmusgeschwindigkeit zu erhöhen oder zu verringern.

17. OBERES PANEEL PERCUSSION

Drücken Sie eine der Percussion-Tasten. Für dieses Keyboard sind 6 Arten von Percussion verfügbar.

- Hi-Hat Offen
- Hi-Hat Geschlossen
- Snare L
- Bongo L
- Basstrommel H Weich
- Basstrommel L

18. ONE KEY-TEACHING

Drücken Sie **[One Key]**, um die Ein-Tasten-Lernfunktion zu aktivieren. Drücken Sie die Zifferntasten [1-9] oder die Taste [+/-], um den zu lernenden Song auszuwählen. Das Ein-Tasten-Training zielt auf das Erlernen der Dauer ab, und es gibt keine Anforderungen an die Tonhöhe oder die Kreativität. In diesem Modus sind Fehler beim Spielen der Tasten möglich, aber das Keyboard spielt trotzdem korrekte Noten.

19. FOLLOW TEACHING

Drücken Sie **[Follow Teaching]**, um die Funktion „Follow Key Teaching“ zu aktivieren. Folgen Sie dem Display, um die Note richtig zu spielen, und spielen Sie dann die nächste Note, die automatisch auf dem Display angezeigt wird.

20. SUSTAIN

Drücken Sie **[Sustain]** und die auf der Tastatur gespielten Noten werden nach dem Abheben des Fingers von der Tastatur allmählich ausgeklungen. Drücken Sie diese Taste erneut, um den Sustain-Effekt zu deaktivieren.

21. VIBRATO

Drücken Sie die Taste **[Vibrato]** und der Vibrato-Effekt wird aktiviert. Drücken Sie diese Taste erneut, um den Vibrato-Effekt zu deaktivieren.

22. KEYBOARD SPLIT

Drücken Sie **[Keyboard Split]**, um die Tastatur in eine links- und eine rechtshändige Tastatur zu unterteilen. Die linken 24 Tasten werden als linke Tastatur und der Rest der Tasten als rechte Tastatur aufgeteilt. Die Stimme auf der rechten Tastatur kann durch Drücken der Nummer auf den Zifferngruppentasten ausgewählt werden. Die Stimme auf der linken Tastatur wird zunächst vom Hersteller eingestellt. Drücken Sie die Taste noch einmal, um den Split-Effekt auszuschalten.

23. NUM-PAD

Drücken Sie **[+/-]** oder „0“ bis „299“ in den Zifferngruppentasten, um die Begleitung zu wählen.

24. LCD-DISPLAY

Zeigt den aktuellen Modus, die zu spielenden Noten, den Rhythmus, das Tempo usw. an.

25. RECORD

Drücken Sie **[REC]**, um die Aufnahmefunktion zu aktivieren, „REC“ wird auf dem Display angezeigt.

26. PROGRAM

Drücken Sie diese Taste, um die Rhythm-Programmierungsfunktion zu aktivieren.

27. PLAY

Drücken Sie diese Taste, um aufgenommene Noten oder Rhythmen wiederzugeben.

28. VOICE

Es gibt 300 verschiedene Arten von Voices (Anlage I). Drücken Sie **[Voice]**, um eine Voice zu wählen. Sie können die Ziffern **[0-9]** oder **[+/-]** drücken. Die Voice beginnt mit "000" bis "299", und wenn die Eingabe außerhalb dieses Bereichs liegt, ist sie unwirksam.

29. RHYTHM

Es gibt 300 verschiedene Arten von Rhythmen (Anlage II). Drücken Sie **[Start/Stop]**, um den gewünschten Rhythmus zu starten. Drücken Sie **[Rhythm]**, um einen Rhythmus zu wählen, der von "000" bis "299" beginnt. Wenn die Eingabe außerhalb dieses Bereichs liegt, wird er unwirksam.

30. DEMO

Dieses Keyboard verfügt über 49 gespeicherte Demo-Songs „000“ bis „049“, die Sie auswählen können (Anlage III). Drücken Sie **[DEMO]** und der Standard-Demosong beginnt zu spielen. Drücken Sie während der Wiedergabe **[DEMO]**, um den nächsten Demo-Song abzuspielen. Drücken Sie **[START/STOP]**, um die Wiedergabe zu beenden. Während der Wiedergabe können Sie auch die Ziffern **[0-9]** oder **[+]/[-]** drücken, um andere Demosongs auszuwählen. Der ausgewählte Demo-Song wird dann wiederholt abgespielt.

VERBINDUNGEN

31. MIKROFONEINGANG

Schließen Sie ein Mikrofon an den MIC-Anschluss an, um beim Spielen auf dem Keyboard zu singen.

32. KOPFHÖRER/AUSGANG

Wenn Sie einen Kopfhörer an den PHONES/OUTPUT-Anschluss anschließen, wird der Lautsprecher automatisch ausgeschaltet. Sie können auftreten, ohne andere zu stören und ohne dass andere Sie stören.

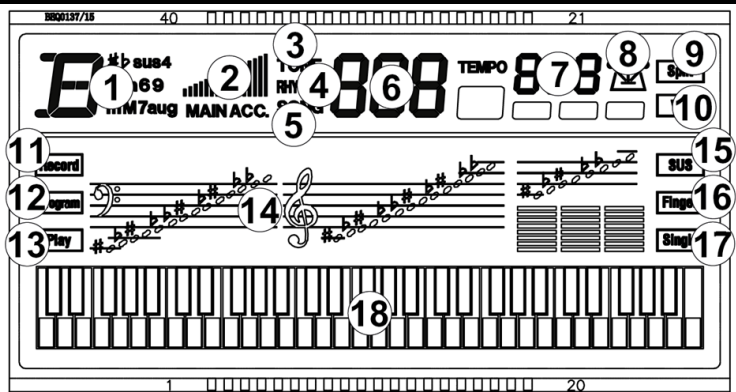
33. DC 9V INPUT

Buchse zum Anschließen des mitgelieferten DC-9V-Adapters.



DISPLAY

1. Chord display Area
2. Volume
3. Tone
4. Rhythm
5. Demo
6. Number display
7. Tempo
8. Beat (metronome shows the current beat)
9. Vibrato
10. Record
11. Program
12. Play
13. Staff notation
14. Sustain
15. Finger chord
16. Single chord
17. Black/white key display



BEVOR SIE BEGINNEN

STROMVERSORGUNG:

- **Verwendung eines AC-DC-Adapters:**
Verwenden Sie den speziellen Netzadapter, der mit diesem elektronischen Keyboard geliefert wird, oder einen Netzadapter mit einer Ausgangsspannung von DC 9V von 500m A. Stecken Sie den Gleichstromstecker oder den Netzadapter in die DC 9V-Buchse auf der Rückseite des elektronischen Keyboards, stecken Sie das andere Ende in die Hauptbuchse, schalten Sie den Netzschalter ein und starten Sie das Spiel.
- **Verwendung von Batterien: (nicht im Lieferumfang enthalten):**
Öffnen Sie die Abdeckung des Batteriefachs an der Unterseite des elektronischen Keyboards. Legen Sie 6 Stück AA-Batterien ein und achten Sie dabei auf die Polaritätsmarkierung auf dem Gehäuse. Schließen Sie den Deckel des Batteriefachs wieder und achten Sie darauf, dass er fest einrastet.
- Setzen Sie den Notenständer in den Tastaturschlitz.

AUFNAHME

Drücken Sie **[Rec]**, um die Aufnahmefunktion zu aktivieren, „rEC“ erscheint auf dem Display. In diesem Modus werden alle gespielten Noten aufgezeichnet. Die maximale Aufnahmemenge beträgt 48 Noten. Wenn der Speicher voll ist, blinkt „Full“ auf dem Display und die Aufnahme wird automatisch beendet. Drücken Sie **[Play]**, um die aufgenommenen Noten abzuspielen, „Ply“ wird auf dem Display angezeigt. Nach Abschluss der Wiedergabe wird „rEC“ auf dem Display angezeigt. Sie können einen neuen Rhythmus aufnehmen, oder Sie drücken **[Play]**, um den aufgenommenen Rhythmus wiederzugeben. Drücken Sie **[Program]**, um in den Rhythmus-Programmiermodus zu gelangen. Drücken Sie 6 verschiedene Perkussionsinstrumente oder die Tastatur, um einen Rhythmusabschnitt zu programmieren. Der bearbeitete Rhythmus kann maximal 32 Schlagzeugpunkte aufnehmen. Drücken Sie **[Play]**, um den bearbeiteten Drum-Sound nacheinander abzuspielen und so eine Art selbst erstellten Rhythmus zu bilden, nachdem die Programmierung abgeschlossen ist. Den besten Rhythmus-Wiedergabeeffekt erzielen Sie durch Einstellen der **[Temp +/-]**-Tasten. Jedes Mal, wenn Sie **[Program]** drücken, wird der letzte Speicher gelöscht und der Programmiermodus erneut aktiviert.

LERNFUNKTION

Lernen mit einer Taste:

Wählen Sie den zu lernenden Song mit den Zifferntasten und den Tasten **[+]** oder **[-]**, nachdem Sie **[One key teaching]** gedrückt haben. Auf dem LCD-Display wird die aktuelle Songnummer angezeigt. Die Ein-Tasten-Lernfunktion ist speziell für das Lernen von Songs gedacht. Sie erinnert an die Note, die gerade gespielt werden soll. Sie stellt keine Anforderungen an die Tonhöhe und die Korrektheit der Noten. Wurde ein Lied bereits gelernt, wird das aktuelle Lied oder das nächste Lied automatisch wiederholt gelernt. Durch Drücken von **[Start/Stop]** oder erneutem Drücken von **[One key teaching]** wird die Lernfunktion beendet.

Folgen Sie dem Unterricht:

Wählen Sie den zu lernenden Titel mit den Zifferntasten und den Tasten **[+]** oder **[-]** aus, nachdem Sie **[Follow Teaching]** gedrückt haben.

Die Funktion „Follow Teaching“ ist speziell dafür gedacht, die richtigen Noten zu spielen, um mit dem Lernen fortzufahren. Sie können mit dem Spielen auf der Grundlage der DEMO fortfahren. Das Keyboard erinnert Sie an die Note, die Sie gerade spielen sollten. Sie können anhand der auf dem LCD-Bildschirm angezeigten Notenwerte lernen. Der Song kann weiter gespielt werden, wenn Sie die entsprechenden Noten spielen. Der Song befindet sich die ganze Zeit im Wartezustand, bis Sie die richtigen Noten spielen. Drücken Sie **[Start/Stop]** oder erneut **[Follow Teaching]**, um die Lernfunktion zu beenden.

Hinweis: Die richtig gespielten Noten können wiedergegeben werden, auf falsch gespielte Tasten wird im Modus der folgenden Lernfunktion nicht reagiert. Der aktuelle oder der nächste Song wird automatisch wiederholt gelernt.

ESPAÑOL

Felicitaciones a la compra de este producto MAX Music. Por favor lea atentamente este manual antes de usar el aparato para disfrutar al completo de sus prestaciones.

Seguir las instrucciones le permite no invalidar la garantía. Tome todas las precauciones para evitar que se produzca fuego o una descarga eléctrica. Las reparaciones solo deben llevarse a cabo por técnicos cualificados para evitar descargas eléctricas. Guarde el manual para futuras consultas.

sentirse cierto olor. Esto es normal y desaparece al poco tiempo.

- Este aparato contiene piezas que llevan voltaje. Por lo tanto NO abra la carcasa.
- No coloque objetos metálicos o vierta líquidos dentro del aparato. Podría producir descargas eléctricas y fallos en el funcionamiento.
- No coloque el aparato cerca de fuentes de calor tipo radiadores, etc. No coloque el aparato en superficies vibratorias. No tape los agujeros de ventilación.
- Este aparato no está preparado para un uso continuado.
- Tenga cuidado con el cable de alimentación y no lo dañe. Un daño o defecto en el cable de alimentación puede producir una descarga eléctrica o fallo en el funcionamiento.
- Cuando desconecte el aparato de la toma de corriente, siempre tire de la clavija, nunca del cable.
- No enchufe o desenchufe el aparato con las manos mojadas.
- Si la clavija y/o el cable de alimentación están dañados, necesitan reemplazarse por un técnico cualificado.
- Si el aparato está dañado de modo que puedan verse sus partes internas, NO conecte el aparato a la toma de corriente y NO lo encienda. Contacte con su distribuidor. NO conecte el aparato a un reostato o dimmer.
- Para evitar un fuego o peligro de descarga, no exponga el aparato a la lluvia y a la humedad.
- Todas las reparaciones deben llevarse a cabo exclusivamente por técnicos cualificados.
- Conecte el aparato a una toma de corriente con toma de tierra (220-240Vca/50Hz) protegida por un fusible de 10-16A.
- Durante una tormenta o si el aparato no va a usarse durante un periodo largo de tiempo, desconéctelo de la toma de corriente. La regla es: Desconéctelo si no lo va a usar.
- Si el aparato no se ha usado en mucho tiempo puede producirse condensación. Deje el aparato a temperatura ambiente antes de encenderlo. Nunca utilice el aparato en ambientes húmedos o en el exterior.
- Para prevenir accidentes en las empresas, debe seguir las directrices aplicables y seguir las instrucciones.
- No lo apague y encienda repetidamente. Esto acorta su tiempo de vida.
- Mantenga el aparato fuera del alcance de los niños. No deje el aparato sin vigilancia.
- No utilice sprays limpiadores para limpiar los interruptores. Los residuos de estos sprays producen depósitos de polvo y grasa. En caso de mal funcionamiento, siempre consulte a un profesional.
- No fuerce los controles.
- Si el aparato se ha caído, siempre haga que lo verifique un técnico cualificado antes de encenderlo otra vez.
- NO utilice productos químicos para limpiar el aparato. Dañan el barniz. Tan solo límpielo con un trapo seco.
- Manténgalo lejos de equipos electrónicos ya que pueden producir interferencias.
- Si este producto incorpora una batería recargable con base ácida, por favor recargue batería cada 3 meses si no va a usar la unidad por un tiempo prolongado. En caso contrario la batería podría dañarse.
- Solo utilice recambios originales para las reparaciones, de otro modo pueden producirse daños serios y/o radiaciones peligrosas.
- Apague el aparato antes de desconectarlo de la toma de corriente y/o de otros equipos. Desconecte todos los cables y conexiones antes de mover el aparato.
- Asegúrese de que el cable de alimentación no puede dañarse cuando la gente lo pise. Compruebe el cable de alimentación antes de cada uso por si hay daños o defectos.
- El voltaje de funcionamiento es 220-240Vca/50Hz. Compruebe que la toma de corriente coincide. Si tiene que viajar, asegúrese de que el voltaje del país es el adecuado para este aparato.
- Guarde el embalaje original para poder transportar el aparato en condiciones seguras.



Esta señal advierte al usuario de la presencia de alto voltaje en el interior de la carcasa y que es de la suficiente magnitud como para producir una descarga eléctrica.



Esta señal advierte al usuario de que el manual contiene instrucciones importantes que han de leerse y seguirse al pie de la letra.

NOTA: Para asegurarse de que el aparato funcione correctamente, debe usarse en ambientes a una temperatura de entre 5°C/41°F y 35°C/95°F.



Los productos electrónicos no pueden tirarse a la basura normal. Por favor lleve este producto a un centro de reciclaje. Pregunte a la autoridad local en caso de duda. Las especificaciones son generales. Los valores actuales pueden variar de una unidad a otra. Las especificaciones pueden variar sin previo aviso.

Nunca intente reparar usted mismo este equipo. Esta manipulación anulará la garantía. No realice cambios en la unidad. Esta manipulación anulará la garantía. Esta garantía no es aplicable en caso de accidente o daños ocasionados por uso indebido del aparato o mal uso del mismo. MAX Music no se hace responsable de daños personales causados por el no seguimiento de las normas e instrucciones de este manual. Esto es aplicable también a los daños de cualquier tipo.

INSTRUCCIONES DE DESEMBALAJE

PRECAUCIÓN Desembale con cuidado la caja al recibirla. Compruebe el contenido para asegurarse de que todas las piezas estén presentes y se han recibido en buenas condiciones. Notifique inmediatamente al transportista y conserve el material de embalaje si alguna pieza resulta dañada durante el transporte o si el propio paquete muestra signos de haber sido manipulado incorrectamente. Guarde el paquete y todos los materiales de embalaje. Si debe devolver el producto, es importante que lo haga en la caja y el embalaje originales de fábrica. Si el aparato ha estado expuesto a fluctuaciones drásticas de temperatura (por ejemplo, después del transporte), no lo encienda inmediatamente. El agua de condensación podría dañar el aparato. Deje el aparato apagado hasta que haya alcanzado la temperatura ambiente.

FUENTE DE ALIMENTACIÓN

La etiqueta situada en la parte inferior del producto indica a qué tipo de fuente de alimentación debe conectarse el producto. Compruebe que la tensión de red corresponde a ésta, cualquier otra tensión puede causar daños irreparables. Además, el producto debe conectarse directamente a la red eléctrica, sin regulador ni fuente de alimentación regulable.

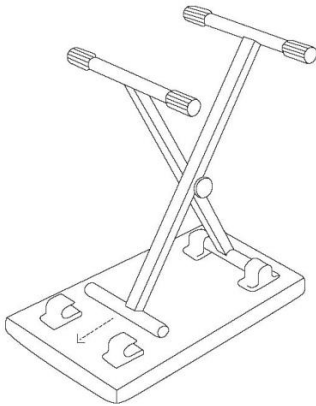


Conecte siempre el aparato a un circuito protegido (disyuntor o fusible). Asegúrese de que el aparato dispone de una toma de tierra eléctrica adecuada para evitar el riesgo de electrocución o incendio.

INSTRUCCIONES DE MONTAJE BANCO

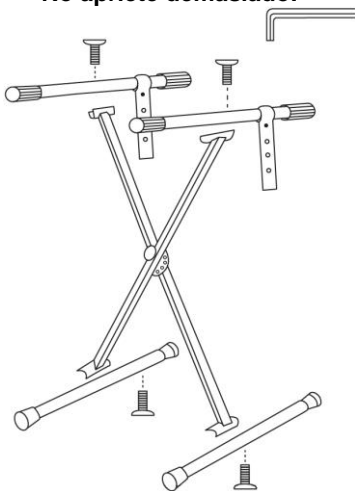
1. Coloque el asiento boca abajo.
2. Levante hacia arriba tanto la pata izquierda como la derecha.
3. Deslice los soportes de las patas en los soportes para bloquear las patas en su posición.
4. Gire las tapas para estabilizar el banco.

NOTA: asegúrese de que los soportes de las patas se asientan completamente dentro del soporte. Siéntese y toque música como nunca antes.



INSTRUCCIONES DE MONTAJE SOPORTE

1. Coloque las patas en el suelo en la posición indicada en la ilustración.
2. Con los tornillos, fije el soporte X a los pies con la llave Allen
3. Coloque las barras de soporte superiores en la parte superior del soporte y fíjelas con los tornillos utilizando la llave Allen.
No apriete demasiado.



CONTROLES



- 1. ALTAVOCES**
Altavoces que reproducen el sonido de la música reproducida. El nivel de sonido se determina en función del ajuste del volumen.
- 2. POWER**
Pulse para encender o apagar el aparato.
- 3. MASTER VOLUME**
Pulse **[Master Vol +/-]** para subir o bajar el volumen maestro. El teclado tiene 9 niveles de volumen desde 00 hasta 08.
- 4. RHYTHM VOLUME**
Pulse **[Rhythm Vol +/-]** para subir o bajar el volumen del acompañamiento. El volumen por defecto es 06. Pulse simultáneamente **[vol +]** y **[vol -]** del Ritmo para recuperar automáticamente el volumen por defecto del Ritmo.
- 5. FINE TUNING**
Pulse la sintonización fina **[fine tuning + o -]** para microcontrolar el tono dentro del rango de +/- 99 niveles entre los dos tonos de conexión. Mantenga pulsado **[Fine tuning + o -]** para aumentar o disminuir los niveles continuamente. Pulse **[Fine tuning + o -]** simultáneamente para volver al nivel de ajustado inicialmente.
- 6. TRANSPOSE**
Pulse **[Transpose +/-]** para subir o bajar el valor de transposición +/- 6 niveles y desplazar el tono de todo el teclado hacia arriba o hacia abajo en intervalos de semitono. Pulse simultáneamente **[Transpose +/-]** para volver al estado predeterminado del tono del teclado.
- 7. SINGLE CHORD**
Pulse **[Start/Stop]** para iniciar el acompañamiento automático. A continuación, pulse **[Single chord]** para iniciar el acompañamiento de un solo dedo. Pulse cualquier tecla de las 19 teclas izquierdas para iniciar el Ritmo. Pulse una tecla diferente del teclado izquierdo para seleccionar un acorde diferente. La tecla que pulse siempre determinará la raíz del acorde que haya tocado. Pulse **[Start/Stop]** de nuevo para finalizar el efecto.
- 8. FINGER CHORD**
Pulse **[Start/Stop]** para iniciar el acompañamiento automático. Pulse **[Finger chord]** para iniciar el acompañamiento digitado. Pulse cualquier tecla de las 19 teclas izquierdas para iniciar el Ritmo. Pulse una tecla diferente del teclado izquierdo para seleccionar un acorde diferente. Una vez que toque cualquier acorde en la sección de acompañamiento automático del teclado, el acorde junto con el Ritmo comenzarán a sonar automáticamente. La tecla que pulse siempre determinará la raíz del acorde que haya tocado. Pulse **[Start/Stop]** de nuevo para finalizar el efecto.
- 9. LOW CHORD**
Pulse **[Low chord]** para cambiar el efecto de Bajo.
- 10. CHORD CLEAR**
Pulse **[Chord clear]** para finalizar el acompañamiento bajo el estado de acorde, el ritmo continuará reproduciéndose.
- 11. START/STOP**
Pulse para iniciar o detener la reproducción del programa seleccionado.
- 12. SYNC**
En el modo de ritmo, pulse **[SYNC]**. Toque cualquier tecla de la zona de teclas de acordes (la 1ª-19ª tecla, desde la izquierda) para activar el ritmo de acompañamiento.
- 13. FILL IN**
Pulse **[FILL-IN]** para añadir un breve relleno en la variación del Ritmo en cualquier momento mientras se reproduce el Ritmo. Entonces el Ritmo normal comenzará a partir del siguiente compás.
- 14. INTRO/ENDING**
Presione **[Intro/Ending]** antes de que el Ritmo se inicie, el teclado ejecutará una duración de introducción relativa, luego vuelve al Ritmo normal relativo. Pulse **[Intro/Ending]** después de iniciar el ritmo, el teclado realizará una duración de final relativo para detenerse.
- 15. BEAT**
Hay 4 tipos de voz de compás almacenados en el teclado: 1/4 beat, 2/4 beat, 3/4 beat y 4/4 beat. Pulse **[Beat]** simultáneamente para los diferentes tiempos.
- 16. TEMPO**
Pulse **[Tempo +/-]** para aumentar o disminuir la velocidad del ritmo.

17. PERCUSIÓN DEL PANEL SUPERIOR

Pulse uno de los botones de percusión. Hay 6 tipos de percusión disponibles para este teclado.

- Hi-Hat abierto
- Hi-Hat Cerrado
- Snare L
- Bongó L
- Bombo H Suave
- Bombo L

18. ONE KEY TEACHING

Pulse **[One Key]** para activar la función de aprendizaje con una sola tecla. Pulse las teclas numéricas **[1-9]** o el botón **[+/-]** para seleccionar la canción que desea aprender. El entrenamiento con una sola tecla tiene como objetivo el aprendizaje de la duración, y no hay ningún requisito sobre el tono o la creatividad. Este modo permite cometer errores al tocar las teclas, pero el teclado sigue reproduciendo las notas correctas.

19. FOLLOW TEACHING

Pulse **[Follow teaching]** para activar la función de entrenamiento de teclas de seguimiento. Siga la pantalla para tocar la nota correctamente y, a continuación, toque la siguiente nota que se muestra automáticamente en la pantalla.

20. SUSTAIN

Pulse **[Sustain]** y las notas tocadas en el teclado decaerán gradualmente después de levantar el dedo del teclado. Pulse este botón de nuevo y el efecto de sustain se desactivará.

21. VIBRATO

Pulse el botón **[Vibrato]** y se activará el efecto de vibrato. Pulse este botón de nuevo y el efecto vibrato se desactivará.

22. KEYBOARD SPLIT

Pulse **[Keyboard Split]** para dividir el teclado en teclado para la mano izquierda y teclado para la mano derecha. Las 24 teclas de la izquierda serán el teclado de la mano izquierda y el resto de teclas se dividirán como teclado de la mano derecha. La voz del teclado derecho puede seleccionarse pulsando el número en los botones del grupo numérico. La voz del teclado izquierdo se establece inicialmente por el productor. Pulse el botón una vez más para desactivar el efecto de división.

23. NUM-PAD

Pulse **[+/-]** o "0" a "299" en los botones de grupo numérico para seleccionar el acompañamiento.

24. PANTALLA LCD

Muestra el modo actual, las notas a tocar, el ritmo, el tempo, etc.

25. RECORD

Pulse **[REC]** para activar la función de grabación, "REC" se mostrará en la pantalla.

26. PROGRAM

Pulse para activar la función de programación del ritmo.

27. PLAY

Pulse para reproducir notas o Ritmos grabados.

28. VOICE

Hay 300 tipos diferentes de voces (Apéndice I). Pulse **[Voice]** para empezar a elegir una voz. Puede pulsar el número **[0-9]** o **[+/-]**. La voz comienza desde "000" hasta "299" y si la entrada está fuera de este rango, no tendrá efecto.

29. RHYTHM

Hay 300 tipos diferentes de ritmos (Apéndice II). Pulse **[Start/Stop]** para iniciar el ritmo que necesite. Pulse **[Rhythm]** para elegir un Ritmo comienza desde "000" hasta "299" y si la entrada está fuera de este rango, será ineficaz.

30. DEMO

Este teclado dispone de 49 canciones de demostración almacenadas "000" a "049" para su selección (Apéndice III). Pulse **[DEMO]** y comenzará a reproducirse la canción de demostración predeterminada. Durante el proceso de reproducción, pulse **[DEMO]** para reproducir la siguiente canción de demostración. Pulse **[Start/Stop]** para detener la reproducción. Durante el proceso de reproducción, también puede pulsar el número **[0-9]** o **[+]** / **[-]** para seleccionar otras canciones de demostración. La canción de demostración seleccionada se reproducirá repetidamente

CONEXIONES

31. ENTRADA DE MICRÓFONO

Conecte un micrófono al puerto MIC para cantar mientras toca el teclado.

32. AURICULARES/SALIDA

Cuando conecte auriculares al puerto PHONES/OUTPUT, el altavoz se desactivará automáticamente. Podrás actuar sin molestar a los demás y sin que otros te molesten a ti.

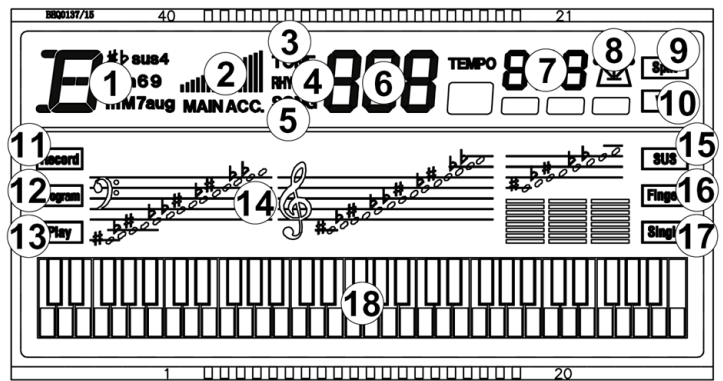
33. ENTRADA CC 9V

Toma para enchufar el adaptador DC-9V suministrado.



DISPLAY

1. Chord display Area
2. Volume
3. Tone
4. Rhythm
5. Demo
6. Number display
7. Tempo
8. Beat (metronome shows the current beat)
9. Split
10. Vibrato
11. Record
12. Program
13. Play
14. Staff notation
15. Sustain
16. Finger chord
17. Single chord
18. Black/white key display



ANTES DE EMPEZAR

ALIMENTACIÓN ELÉCTRICA:

• Utilización del adaptador AC-DC:

Utilice el adaptador de corriente especial que viene equipado con este teclado electrónico o un adaptador de corriente con voltaje de salida DC 9V 500m A. Inserte el enchufe DC o el adaptador de corriente en la toma de corriente DC 9V en el panel trasero del teclado electrónico, inserte el otro extremo en la toma Main, encienda el interruptor de alimentación y comience a tocar.

• Uso de pilas: (no incluidas):

Abra la tapa del compartimento de las pilas situado en el panel inferior del teclado electrónico. Inserte 6 pilas AA, teniendo cuidado de seguir las marcas de polaridad de la carcasa. Vuelva a colocar la tapa del compartimento, asegurándose de que encaje firmemente en su lugar.

• Coloque el atril en la ranura del teclado.

GRABACIÓN

Pulse **[Rec]** para activar la función de grabación, en la pantalla aparecerá «rEC». En este modo se grabarán todas las notas tocadas. La cantidad máxima de grabación es de 48 notas. Cuando la memoria esté llena, «Ful» parpadeará en la pantalla y la grabación se detendrá automáticamente. Pulse **[Play]** para reproducir las notas grabadas, «Ply» aparecerá en la pantalla. Al finalizar la reproducción, aparecerá «rEC» en la pantalla. Puede grabar un nuevo Ritmo, o puede pulsar **[Play]** para reproducir el Ritmo grabado.

Pulse **[Program]** para entrar en el modo de programación de Ritmos. Pulse 6 tipos de percusión de panel o teclado para programar un párrafo de Ritmo. El Ritmo editado puede grabar 32 puntos de batería como máximo. Pulse **[Play]** para reproducir el sonido de batería editado en secuencia, formando una especie de Ritmo de creación propia una vez finalizada la programación. El mejor efecto de reproducción del Ritmo puede obtenerse ajustando los botones **[Temp +/-]**. Cada vez que pulse **[Program]** se borrará la última memoria y entrará de nuevo en el modo de programación.

FUNCIÓN TEACHING

Enseñanza con una tecla:

Para elegir la canción que necesita aprender mediante los botones numéricos y los botones **[+]** o **[-]** después de pulsar **[One key teaching]**. La pantalla LCD muestra el número de la canción actual. La función de aprendizaje con una tecla es especial para el aprendizaje de canciones. Le recordará la nota que debe tocar en ese momento. No es necesario tener en cuenta el tono ni la corrección de las notas. Una vez aprendida una canción, aprenderá repetidamente la canción actual o la siguiente de forma automática. Pulse **[Start/stop]** o pulse **[One key teaching]** de nuevo para salir de la función de aprendizaje.

Seguir teaching:

Para elegir la canción que necesita aprender mediante los botones numéricos y los botones **[+]** o **[-]** después de pulsar **[Follow teaching]**.

La función Follow teaching es especial para seguir a tocar las notas correctas para proceder con el aprendizaje. Puede proceder a tocar basándose en la DEMO. El teclado le recordará la nota que debe tocar en ese momento. Puede aprender basándose en las teclas /valor de las notas que aparecen en la pantalla LCD. La canción puede continuar reproduciéndose si toca las notas correspondientes. La canción estará en estado de espera todo el tiempo hasta que toque las notas correctas. Pulse **[Start/stop]** o pulse **[Follow teaching]** de nuevo para salir de la función de teaching.

Nota: Las notas tocadas correctamente pueden ser reproducidas, no hay respuesta a las teclas tocadas incorrectamente en el modo de función de teaching siguiente. Aprenderá repetidamente la canción actual o la siguiente automáticamente.

FRANÇAIS

Nous vous remercions d'avoir acheté un produit MAX Music. Veuillez lire la présente notice avant l'utilisation afin de pouvoir en profiter pleinement. Veuillez lire la notice avant toute utilisation. Respectez impérativement les instructions afin de continuer à bénéficier de la garantie. Prenez toutes les précautions nécessaires pour éviter tout incendie ou décharge électrique. Seul un technicien spécialisé peut effectuer les réparations. Nous vous conseillons de conserver la présente notice pour pouvoir vous y reporter ultérieurement.

- Avant d'utiliser l'appareil, prenez conseil auprès d'un spécialiste. Lors de la première mise sous tension, il est possible qu'une odeur soit perceptible. C'est normal, l'odeur disparaîtra peu de temps après.
- L'appareil contient des composants porteurs de tension. N'OUVREZ JAMAIS le boîtier.
- Ne placez pas des objets métalliques ou du liquide sur l'appareil, cela pourrait causer des décharges électriques et dysfonctionnements.
- Ne placez pas l'appareil à proximité de sources de chaleur, par exemple radiateur. Ne positionnez pas l'appareil sur une surface vibrante. N'obtenez pas les ouïes de ventilation.
- L'appareil n'est pas conçu pour une utilisation en continu.
- Faites attention au cordon secteur, il ne doit pas être endommagé.
- Lorsque vous débranchez l'appareil de la prise secteur, tenez-le par la prise, ne tirez jamais sur le cordon.
- Ne branchez pas et ne débranchez pas l'appareil avec les mains mouillées.
- Seul un technicien spécialisé peut remplacer la fiche secteur et / ou le cordon secteur.
- Si l'appareil est endommagé et donc les éléments internes sont visibles, ne branchez pas l'appareil, NE L'ALLUMEZ PAS. Contactez votre revendeur. NE BRANCHEZ PAS l'appareil à un rhéostat ou un dimmer.
- Pour éviter tout risque d'incendie ou de décharge électrique, n'exposez pas l'appareil à la pluie ou à l'humidité.
- Seul un technicien habilité et spécialisé peut effectuer les réparations
- Branchez l'appareil à une prise secteur 220-240 Vac/50 Hz avec terre, avec un fusible 10-16 A.
- Pendant un orage ou en cas de non-utilisation prolongée de l'appareil, débranchez l'appareil du secteur.
- En cas de non-utilisation prolongée de l'appareil, de la condensation peut être créée. Avant de l'allumer, laissez l'appareil atteindre la température ambiante. Ne l'utilisez jamais dans des pièces humides ou en extérieur.
- Afin d'éviter tout accident en entreprise, vous devez respecter les conseils et instructions.
- N'allumez pas et n'éteignez pas l'appareil de manière répétée. Cela réduit sa durée de vie.
- Conservez l'appareil hors de la portée des enfants. Ne laissez pas l'appareil sans surveillance.
- N'utilisez pas d'aérosols pour nettoyer les interrupteurs. Les résidus créent des dépôts et de la graisse. En cas de dysfonctionnement, demandez conseil à un spécialiste.
- Ne forcez pas les réglages.
- L'appareil contient un haut-parleur pouvant engendrer des champs magnétiques. Tenez cet appareil à 60 cm au moins d'un téléviseur ou ordinateur.
- Si le produit comprend un accumulateur intégré plomb-acide, rechargez l'accumulateur tous les 3 mois en cas de non-utilisation prolongée de l'appareil. Sinon, l'accumulateur pourrait être endommagé de manière permanente.
- Si l'accumulateur est endommagé, remplacez-le par un accumulateur de même type et déposez l'ancien accumulateur dans un container de recyclage adapté.
- Si l'appareil est tombé, faites-le toujours vérifier par un technicien avant de le rallumer.
- Pour nettoyer l'appareil, n'utilisez pas de produits chimiques qui abîment le revêtement, utilisez uniquement un tissu sec.
- Tenez toujours l'appareil éloigné de tout équipement électrique pouvant causer des interférences.
- Pour toute réparation, il faut impérativement utiliser des pièces d'origine, sinon il y a risque de dommages graves et / ou de radiations dangereuses.
- Eteignez toujours l'appareil avant de le débrancher du secteur et de tout autre appareil. Débranchez tous les cordons avant de déplacer l'appareil.
- Assurez-vous que le cordon secteur n'est pas abîmé si des personnes viennent à marcher dessus. Avant toute utilisation, vérifiez son état.
- La tension d'alimentation est de 220-240Vac/50 Hz. Vérifiez la compatibilité. Si vous voyagez, vérifiez que la tension d'alimentation du pays est compatible avec l'appareil.
- Conservez l'emballage d'origine pour pouvoir transporter l'appareil en toute sécurité.



Ce symbole doit attirer l'attention de l'utilisateur sur les tensions élevées présentes dans le boîtier de l'appareil, pouvant engendrer une décharge électrique.



Ce symbole doit attirer l'attention de l'utilisateur sur des instructions importantes détaillées dans la notice, elles doivent être lues et respectées.

Cet appareil porte le symbole CE. Il est interdit d'effectuer toute modification sur l'appareil. La certification CE et la garantie deviendraient caduques !

NOTE: Pour un fonctionnement normal de l'appareil, il doit être utilisé en intérieur avec une plage de température maximale autorisée entre 5°C/41°F et 35°C/95°F.



Ne jetez pas les produits électriques dans la poubelle domestique. Déposez-les dans une décharge. Demandez conseil aux autorisés ou à votre revendeur. Données techniques réservées. Les valeurs actuelles peuvent varier d'un produit à l'autre. Tout droit de modification réservé sans notification préalable.

N'essayez pas de réparer l'appareil vous-même. Vous perdriez tout droit à la garantie. Ne faites aucune modification sur l'appareil. Vous perdriez tout droit à la garantie. La garantie deviendrait également caduque en cas d'accidents ou dommages causés par une utilisation inappropriée de l'appareil ou un non-respect des consignes présentes dans cette notice. MAX Music ne pourrait être tenu responsable en cas de dommages matériels ou corporels causés par un non-respect des consignes de sécurité et avertissements. Cela est également valable pour tous les dommages quelle que soit la forme.

INSTRUCTIONS DE DÉBALLAGE

ATTENTION Déballez soigneusement la boîte dès réception. Vérifiez le contenu pour vous assurer que toutes les pièces sont présentes et qu'elles ont été reçues en bon état. Notifiez immédiatement l'expéditeur et conservez les matériaux d'emballage si des pièces semblent endommagées par le transport ou si l'emballage lui-même présente des signes de mauvaise manipulation. Conservez l'emballage et tous les matériaux d'emballage. Si le produit doit être renvoyé, il est important qu'il le soit dans la boîte et l'emballage d'origine. Si l'appareil a été exposé à de fortes variations de température (par exemple après le transport), ne l'allumez pas immédiatement. L'eau de condensation qui en résulterait pourrait endommager votre appareil. Laissez l'appareil éteint jusqu'à ce qu'il ait atteint la température ambiante.

ALIMENTATION

L'étiquette située sous le produit indique à quel type d'alimentation électrique le produit doit être raccordé. Vérifiez que la tension du réseau correspond à celle-ci, toute autre tension pouvant entraîner des dommages irréparables. Le produit doit également être branché directement sur le secteur, sans variateur ni alimentation réglable.

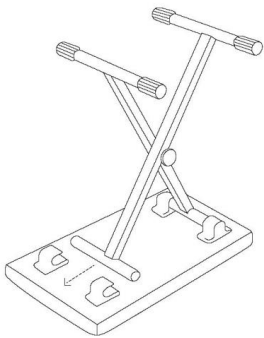


Branchez toujours l'appareil sur un circuit protégé (disjoncteur ou fusible). Assurez-vous que l'appareil dispose d'une mise à la terre électrique appropriée afin d'éviter tout risque d'électrocution ou d'incendie

INSTRUCTIONS DE MONTAGE BANC

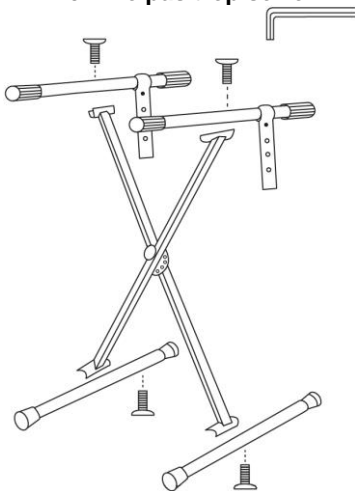
1. Placez le siège à l'envers.
2. Soulever les jambes gauche et droite vers le haut.
3. Glissez les supports de jambes dans les supports pour verrouiller les jambes en position.
4. Tourner les capuchons pour stabiliser le banc.

REMARQUE: assurez-vous que les supports de jambe sont entièrement insérés dans le support. Asseyez-vous et jouez de la musique comme jamais auparavant.



INSTRUCTIONS D'ASSEMBLAGE PIED

1. Placez les pieds sur le sol dans la position indiquée sur l'illustration.
2. A l'aide des vis, fixez le support en X sur les pieds à l'aide de la clé Allen
3. Placez les barres de support supérieures sur la partie supérieure du support et fixez-les à l'aide des vis à l'aide de la clé Allen. **Ne pas trop serrer**



CONTRÔLES



- 1. HAUT-PARLEURS**
Haut-parleurs destinés à reproduire le son de la musique jouée. Le niveau sonore est déterminé en fonction du réglage du volume.
- 2. POWER**
Appuyez sur cette touche pour mettre l'appareil sous/hors tension.
- 3. MASTER VOLUME**
Appuyez sur **[Master Vol +/-]** pour augmenter ou diminuer le volume principal. Le clavier dispose de 9 niveaux de volume, de 00 à 08.
- 4. RHYTHME VOLUME**
Appuyez sur **[Rhythm Vol +/-]** pour augmenter ou diminuer le volume de l'accompagnement. Le volume par défaut est 06. Appuyez simultanément sur les touches **[vol +]** et **[vol -]** pour rétablir automatiquement le volume par défaut du rythme.
- 5. FINE TUNING**
Appuyez sur le réglage fin **[+ ou -]** pour microcontrôler la tonalité dans la plage de +/- 99 niveaux entre les deux tonalités de connexion. Continuez à appuyer sur **[+ ou -]** pour augmenter ou diminuer les niveaux en continu. Appuyez simultanément sur **[+ et -]** pour revenir au niveau de réglage initial.
- 6. TRANSPOSE**
Appuyer sur **[Transpose +/-]** pour augmenter ou diminuer la valeur de transposition de +/- 6 niveaux et décaler la hauteur du clavier entier vers le haut ou vers le bas par intervalles d'un demi-ton. Appuyez simultanément sur **[Transpose +/-]** pour revenir à l'état par défaut de la tonalité du clavier.
- 7. SINGLE CHORD**
Appuyer sur **[Start/Stop]** pour démarrer l'accompagnement automatique. Appuyez ensuite sur **[Single chord]** pour démarrer l'accompagnement à un doigt. Appuyer sur n'importe quelle touche des 19 touches de gauche pour lancer le rythme. Appuyez sur une touche différente du clavier gauche pour sélectionner un accord différent. La touche sur laquelle vous appuyez détermine toujours la fondamentale de l'accord que vous avez joué. Appuyez à nouveau sur **[Start/Stop]** pour terminer l'effet.
- 8. FINGER CHORD**
Appuyez sur **[Start/Stop]** pour démarrer l'accompagnement automatique. Appuyez sur **[Finger chord]** pour lancer l'accompagnement avec doigté. Appuyer sur n'importe quelle touche des 19 touches de gauche pour lancer le rythme. Appuyez sur une touche différente du clavier gauche pour sélectionner un accord différent. Une fois que vous jouez un accord dans la section d'accompagnement automatique du clavier, l'accord et le rythme commenceront automatiquement à être joués ; la touche sur laquelle vous appuyez déterminera toujours la base de l'accord que vous avez joué. Appuyez à nouveau sur **[Start/Stop]** pour terminer l'effet.
- 9. LOW CHORD**
Appuyez sur **[Low chord]** pour modifier l'effet de la basse.
- 10. CHORD CLEAR**
Appuyez sur **[Chord clear]** pour mettre fin à l'accompagnement sous forme d'accord, le rythme continuera à être joué.
- 11. START/STOP**
Appuyez sur cette touche pour démarrer ou arrêter la lecture du programme sélectionné.
- 12. SYNC**
En mode rythmique, appuyez sur **[SYNC]**. Jouez n'importe quelle touche de la zone de touches d'accord (de la 1ère à la 19ème touche, en partant de la gauche) pour activer le rythme d'accompagnement.
- 13. FILL IN**
Appuyez sur **[FILL-IN]** pour ajouter une courte variation de rythme à tout moment pendant la lecture du rythme. Le rythme normal commence alors à la mesure suivante.
- 14. INTRO/ENDING**
Appuyez sur **[Intro/Ending]** avant que le rythme ne commence, le clavier jouera une longue introduction relative, puis reviendra au rythme normal relatif. Appuyez sur **[Intro/Ending]** après le début du rythme, le clavier effectuera une longueur de fin relative jusqu'à ce qu'il s'arrête.
- 15. RHYTHM**
Il y a 4 types de voix de rythme stockés sur le clavier : 1/4 temps, 2/4 temps, 3/4 temps et 4/4 temps. Appuyez simultanément sur **[Beat]** pour obtenir les différents rythmes.
- 16. TEMPO**
Appuyez sur **[Tempo +/-]** pour augmenter ou diminuer la vitesse du rythme.

17. PANNEAU SUPÉRIEUR PERCUSSION

Appuyez sur l'un des boutons Percussion. Il existe 6 types de percussions disponibles pour ce clavier.

- Charleston ouvert
- Charleston fermé
- Caisse claire L
- Bongo L
- Grosse caisse H Soft
- Grosse caisse L

18. ONE KEY TEACHING

Appuyez sur **[One Key]** pour activer la fonction d'apprentissage par touche unique. Appuyez sur les touches numériques **[1-9]** ou sur le bouton **[+/-]** pour sélectionner le morceau à apprendre. L'apprentissage sur une seule touche vise à apprendre la durée, et il n'y a pas d'exigence en matière de hauteur ou de créativité. Ce mode permet de faire des erreurs en jouant sur les touches, mais le clavier joue toujours des notes correctes.

19. FOLLOW TEACHING

Appuyez sur **[Follow teaching]** pour activer la fonction de suivi de l'apprentissage des touches. Suivez l'affichage pour jouer la note correctement, puis jouez la note suivante affichée automatiquement à l'écran.

20. SUSTAIN

Appuyez sur **[Sustain]** pour que les notes jouées sur le clavier s'atténuent progressivement après avoir retiré votre doigt du clavier. Appuyez à nouveau sur ce bouton pour désactiver l'effet de sustain.

21. VIBRATO

Appuyez sur **[Vibrato]** pour activer l'effet de vibrato. Appuyez à nouveau sur ce bouton pour désactiver l'effet de vibrato.

22. KEYBOARD SPLIT

Appuyez sur **[Keyboard Split]** pour diviser le clavier en clavier gauche et clavier droit. Les 24 touches de gauche constituent le clavier de la main gauche et le reste des touches est divisé en clavier de la main droite. La voix du clavier droit peut être sélectionnée en appuyant sur le numéro des touches du groupe numérique. La voix du clavier gauche est initialement définie par le producteur. Appuyez à nouveau sur le bouton pour désactiver l'effet de division.

23. PAVÉ NUMÉRIQUE

Appuyez sur **[+/-]** ou sur "0" à "299" dans les boutons du groupe numérique pour sélectionner l'accompagnement.

24. AFFICHAGE LCD

Affiche le mode actuel, les notes à jouer, le rythme, le tempo, etc.

25. RECORD

Appuyez sur **[REC]** pour activer la fonction d'enregistrement, "REC" s'affiche à l'écran.

26. PROGRAM

Appuyez sur cette touche pour activer la fonction de programmation du rythme.

27. PLAY

Appuyez sur cette touche pour lire les notes ou les rythmes enregistrés.

28. VOICE

Il existe 300 types de voix différents (Annexe I). Appuyez sur **[Voice]** pour commencer à choisir une voix. Vous pouvez appuyer sur les chiffres **[0-9]** ou sur **[+/-]**. La voix commence entre "000" et "299" et si l'entrée est en dehors de cette plage, elle sera inefficace.

29. RHYTHM

Il existe 300 types de rythmes différents (Annexe II). Appuyez sur **[Start/Stop]** pour lancer le rythme dont vous avez besoin. Appuyez sur **[Rhythm]** pour choisir un rythme qui commence entre "000" et "299" et si l'entrée est en dehors de cette plage, il sera inefficace.

30. DEMO

Ce clavier dispose de 49 morceaux de démonstration mémorisés "000" à "049" pour votre sélection (Annexe III). Appuyez sur **[DEMO]** et le morceau de démonstration par défaut commencera à être joué. Pendant la lecture, appuyez sur **[DEMO]** pour lire le morceau de démonstration suivant. Appuyez sur **[START/STOP]** pour arrêter la lecture. Pendant la lecture, vous pouvez également appuyer sur les touches numériques **[0-9]** ou **[+]** / **[-]** pour sélectionner d'autres morceaux de démonstration. Le morceau de démonstration sélectionné est alors lu de manière répétée

CONNEXIONS

31. ENTRÉE MICROPHONE

Connectez un microphone au port MIC pour chanter tout en jouant du clavier.

32. CASQUE/SORTIE

Lorsque vous connectez un casque au port PHONES/OUTPUT, le haut-parleur est automatiquement désactivé. Vous pouvez jouer sans déranger les autres et sans que les autres vous dérangent.

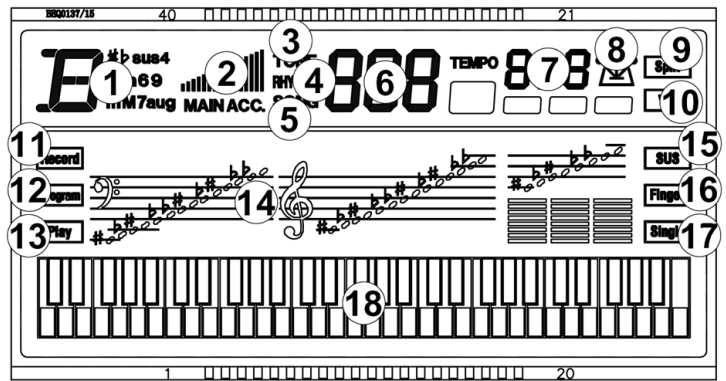
33. ENTRÉE 9V DC

Prise pour brancher l'adaptateur DC-9V fourni.



DISPLAY

1. Chord display Area
2. Volume
3. Tone
4. Rhythm
5. Demo
6. Number display
7. Tempo
8. Beat (metronome shows the current beat)
9. Split
10. Vibrato
11. Record
12. Program
13. Play
14. Staff notation
15. Sustain
16. Finger chord
17. Single chord
18. Black/white key display



AVANT DE COMMENCER

MISE SOUS TENSION :

• Utilisation d'un adaptateur AC-DC :

Utilisez l'adaptateur d'alimentation spécial fourni avec ce clavier électronique ou un adaptateur d'alimentation avec une tension de sortie de 9V DC 500m A. Insérez la fiche DC ou l'adaptateur d'alimentation dans la prise d'alimentation DC 9V sur le panneau arrière du clavier électronique, insérez l'autre extrémité dans la prise principale, allumez l'interrupteur d'alimentation et commencez l'exécution.

• Utilisation de piles : (non incluses):

Ouvrez le couvercle du compartiment à piles situé sur le panneau inférieur du clavier électronique. Insérez 6 piles AA en respectant la polarité indiquée sur le boîtier. Replacer le couvercle du compartiment en veillant à ce qu'il s'enclenche fermement.

- Placez le pupitre dans l'emplacement du clavier.

ENREGISTREMENT

Appuyez sur **[Rec]** pour activer la fonction d'enregistrement, "rEC" s'affiche à l'écran. Dans ce mode, toutes les notes jouées sont enregistrées. La quantité maximale d'enregistrement est de 48 notes. Lorsque la mémoire est pleine, " Ful " clignote à l'écran et l'enregistrement s'arrête automatiquement. Appuyez sur **[Play]** pour lire les notes enregistrées, "Ply" s'affiche à l'écran. Une fois la lecture terminée, "rEC" s'affiche à l'écran. Vous pouvez enregistrer un nouveau rythme ou appuyer sur **[Play]** pour lire le rythme enregistré.

Appuyez sur **[Program]** pour passer en mode de programmation des rythmes. Appuyez sur 6 types de percussions ou sur le clavier pour programmer un paragraphe de rythme. Le rythme édité peut enregistrer 32 points de batterie au maximum.

Appuyez sur **[Play]** pour jouer le son de batterie édité dans l'ordre, formant ainsi une sorte de rythme personnalisé une fois la programmation terminée. Il est possible d'obtenir le meilleur effet de jeu du rythme en réglant les boutons **[Temp +/-]**. Chaque fois que vous appuyez sur **[Program]**, la dernière mémoire est effacée et le mode de programmation est à nouveau activé.

FONCTION D'APPRENTISSAGE

Apprentissage à l'aide d'une seule touche:

Pour choisir la chanson à apprendre, utilisez les touches numériques et les touches **[+]** ou **[-]** après avoir appuyé sur **[One key teaching]**. L'écran LCD affiche le numéro de la chanson en cours. La fonction d'apprentissage par touche unique est spécialement conçue pour l'apprentissage des chansons. Elle rappelle la note qui doit être jouée à ce moment-là. Elle n'a pas d'exigence concernant la hauteur et la justesse des notes. Si une chanson a déjà été apprise, l'appareil apprend automatiquement la chanson actuelle ou la suivante. Appuyez sur **[Start/stop]** ou appuyez à nouveau sur **[One key teaching]** pour quitter la fonction d'apprentissage.

Suivre l'apprentissage:

Pour choisir le morceau à apprendre à l'aide des touches numériques et des touches **[+]** ou **[-]** après avoir appuyé sur **[Follow teaching]**.

La fonction de suivi de l'apprentissage est spéciale pour suivre les notes correctes afin de procéder à l'apprentissage. Vous pouvez continuer à jouer en vous basant sur la DEMO. Le clavier rappellera la note qui doit être jouée à ce moment-là. Vous pouvez apprendre en vous basant sur la valeur des notes affichée sur l'écran LCD. La chanson peut continuer à être jouée si vous jouez les notes correspondantes. Le morceau reste en attente jusqu'à ce que vous jouiez les notes correctes. Appuyez sur **[Start/stop]** ou appuyez à nouveau sur **[Follow teaching]** pour quitter la fonction d'apprentissage.

Remarque: Les notes jouées correctement peuvent être jouées, il n'y a pas de réponse aux touches mal jouées dans le mode de fonction d'apprentissage suivant. L'appareil apprend automatiquement et de manière répétée le morceau actuel ou le morceau suivant.

Gratulujemy zakupu tego produktu firmy MAX Music. Prosimy o dokładne zapoznanie się z niniejszą instrukcją przed rozpoczęciem korzystania z urządzenia, aby w pełni wykorzystać wszystkie jego funkcje. Przeczytaj instrukcję przed rozpoczęciem korzystania z urządzenia. Postępuj zgodnie z instrukcjami, aby nie unieważnić gwarancji. Podjąć wszelkie środki ostrożności, aby uniknąć pożaru i/lub porażenia prądem. Naprawy mogą być wykonywane wyłącznie przez wykwalifikowanego technika, aby uniknąć porażenia prądem. Instrukcję należy zachować do wykorzystania w przyszłości.

- Przed rozpoczęciem użytkowania urządzenia należy zasięgnąć porady specjalisty. Przy pierwszym włączeniu urządzenia może pojawić się nieprzyjemny zapach. Jest to normalne i po chwili zniknie.
- Urządzenie zawiera części przewodzące napięcie. Dlatego NIE należy otwierać obudowy.
- Nie należy umieszczać metalowych przedmiotów ani wlewać płynów do urządzenia. Może to spowodować porażenie prądem elektrycznym i nieprawidłowe działanie.
- Nie należy umieszczać urządzenia w pobliżu źródeł ciepła, takich jak grzejniki itp. Nie umieszczać urządzenia na wibrującej powierzchni. Nie zakrywać otworów wentylacyjnych.
- Urządzenie nie nadaje się do pracy ciągłej.
- Należy zachować ostrożność z przewodem zasilającym i nie wolno go uszkodzić. Wadliwy lub uszkodzony przewód sieciowy może spowodować porażenie prądem elektrycznym i wadliwe działanie.
- Podczas odłączania urządzenia od gniazdka sieciowego należy zawsze wyciągać wtyczkę, a nie przewód.
- Nie należy podłączać ani odłączać urządzenia mokrymi rękami.
- Jeśli wtyczka i/lub przewód sieciowy są uszkodzone, należy je wymienić przez wykwalifikowanego technika.
- Jeśli urządzenie jest uszkodzone w takim stopniu, że widoczne są części wewnętrzne, NIE podłączać urządzenia do gniazdka sieciowego i NIE włączać urządzenia. Skontaktować się ze sprzedawcą.
- Aby uniknąć zagrożenia pożarem i porażeniem prądem, nie wystawiać urządzenia na działanie deszczu i wilgoci.
- Wszystkie naprawy powinny być wykonywane wyłącznie przez wykwalifikowanego technika.
- Podłączyć urządzenie do uzziemionego gniazdka sieciowego (220-240Vac/50Hz) zabezpieczonego bezpiecznikiem 10-16A.
- Podczas burzy z piorunami lub jeśli urządzenie nie będzie używane przez dłuższy okres czasu, należy odłączyć je od sieci elektrycznej. Zasada jest taka sama: Gdy urządzenie nie jest używane, należy je odłączyć od sieci zasilającej.
- Jeśli urządzenie nie było używane przez dłuższy okres czasu, może dojść do kondensacji pary wodnej. Przed włączeniem urządzenie powinno osiągnąć temperaturę pokojową.
- Nigdy nie używać urządzenia w wilgotnych pomieszczeniach lub na zewnątrz.
- Aby zapobiec wypadkom w firmach, należy postępować zgodnie z obowiązującymi wytycznymi i instrukcjami.
- Nie należy wielokrotnie włączać i wyłączać urządzenia. Skracza to żywotność urządzenia.
- Przechowywać urządzenie w miejscu niedostępnym dla dzieci. Nie pozostawiać urządzenia bez nadzoru.
- Do czyszczenia przełączników nie używać sprayów czyszczących. Pozostałości tych sprayów powodują osadzanie się kurzu i smaru. W przypadku awarii należy zawsze zasięgnąć porady specjalisty.
- Nie wolno wymuszać używania elementów sterujących.
- Wewnątrz urządzenia znajduje się głośnik, który może powodować pole magnetyczne. Urządzenie należy trzymać w odległości co najmniej 60 cm od komputera lub telewizora.
- Jeśli ten produkt ma wbudowany akumulator kwasowo-ołowiowy. Jeśli nie zamierzasz używać produktu przez dłuższy okres czasu, ładuj go co 3 miesiące. W przeciwnym razie bateria może ulec trwałemu uszkodzeniu.
- Jeśli bateria jest uszkodzona, należy wymienić ją na baterię o tej samej specyfikacji. Uszkodzoną baterię należy utylizować w sposób przyjazny dla środowiska.
- Jeśli urządzenie upadło, przed ponownym włączeniem należy je sprawdzić przez wykwalifikowanego technika.
- Do czyszczenia urządzenia nie należy używać środków chemicznych. Uszkodzą one lakier. Urządzenie należy czyścić wyłącznie suchą ściereczką.
- Trzymać z dala od sprzętu elektronicznego, który może powodować zakłócenia.
- Do napraw należy używać wyłącznie oryginalnych części zamiennych, w przeciwnym razie może dojść do poważnych uszkodzeń i/lub niebezpiecznego promieniowania.
- Przed odłączeniem urządzenia od sieci elektrycznej i/lub innych urządzeń należy je wyłączyć. Przed przeniesieniem urządzenia należy odłączyć wszystkie przewody i kable.
- Upewnić się, że przewód zasilający nie może zostać uszkodzony, gdy ludzie chodzą po nim. Przed każdym użyciem należy sprawdzić przewód sieciowy pod kątem uszkodzeń i usterek!
- Napięcie sieciowe wynosi 220-240Vac/50Hz. Sprawdź, czy gniazdo zasilania pasuje. W przypadku podróży należy upewnić się, że napięcie sieciowe w danym kraju jest odpowiednie dla tego urządzenia.
- Należy zachować oryginalne opakowanie, aby umożliwić bezpieczny transport urządzenia.



Ten znak zwraca uwagę użytkownika na wysokie napięcie, które jest obecne w środku obudowy urządzenia. Napięcie jest wystarczające, aby porazić użytkownika.



Ten znak zwraca uwagę użytkownika do ważnych informacji, które znajdują się w instrukcji. Informacje te powinny być przeczytane oraz uwzględnione w codziennym użytkowaniu

Urządzenie posiada certyfikat CE. **Nie wolno** wprowadzać żadnych zmian w urządzeniu. Każda modyfikacja sprzętu spowoduje utratę certyfikatu CE oraz gwarancji!

UWAGA: Urządzenie może funkcjonować w pomieszczeniach o temperaturze pomiędzy 5°C/41°F oraz 35°C/95°F.



WAŻNA INFORMACJA: Urządzenia elektryczne muszą być składowane w miejscach do tego przeznaczonych. Sprawdź, gdzie w Twojej okolicy znajduje się najbliższe centrum recyklingu. Specyfikacja techniczna poszczególnych urządzeń może się nieznacznie różnić. Specyfikacja może ulec zmian bez powiadomienia.

Nie próbuj dokonywać żadnych napraw samodzielnie, to spowoduje unieważnienie gwarancji. Gwarancja nie dotyczy uszkodzeń spowodowanych niewłaściwym użytkowaniem sprzętu, niezgodnie z instrukcją. MAX Music nie jest odpowiedzialny za uszczerbek na zdrowiu oraz kontuzje spowodowane niestosowaniem się do zaleceń bezpieczeństwa. Dotyczy to wszelakich uszkodzeń.

INSTRUKCJA ROZPAKOWYWANIA

PRZESTROGA Ostrożnie rozpakuj pudełko po jego otrzymaniu. Sprawdź zawartość, aby upewnić się, że wszystkie części są obecne i zostały dostarczone w dobrym stanie. Niezwłocznie powiadom nadawcę i zachowaj materiały opakowaniowe, jeśli jakiegokolwiek części wyglądają na uszkodzone podczas transportu lub sama paczka wykazuje oznaki niewłaściwego obchodzenia się z nią. Należy zachować paczkę i wszystkie materiały opakowaniowe. Jeśli produkt musi zostać zwrócony, ważne jest, aby został zwrócony w oryginalnym fabrycznym pudełku i opakowaniu. Jeśli urządzenie było narażone na drastyczne wahania temperatury (np. po transporcie), nie należy go od razu włączać. Powstająca woda kondensacyjna może uszkodzić urządzenie. Pozostaw urządzenie wyłączone, aż osiągnie temperaturę pokojową.

ZASILANIE

Etykieta na spodzie produktu wskazuje, do jakiego typu źródła zasilania należy podłączyć produkt. Należy sprawdzić, czy napięcie sieciowe odpowiada temu typowi, inne napięcia mogą spowodować nieodwracalne uszkodzenia. Produkt musi być również podłączony bezpośrednio do sieci, bez ściemniacza lub regulowanego zasilacza.

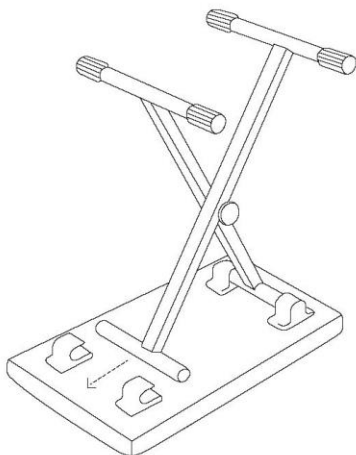


Urządzenie należy zawsze podłączać do zabezpieczonego obwodu (wyłącznik automatyczny lub bezpiecznik). Upewnij się, że urządzenie ma odpowiednie uziemienie elektryczne, aby uniknąć ryzyka porażenia prądem lub pożaru.

INSTRUKCJA MONTAŻU ŁAWKI

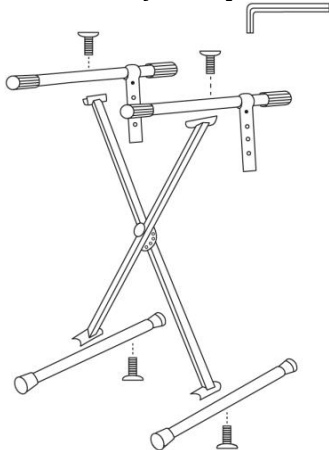
1. Umieść siedzisko do góry nogami.
2. Podnieś lewą i prawą nogę do góry.
3. Wsuń wsporniki nóg we wsporniki, aby zablokować nogi w odpowiedniej pozycji.
4. Obróć nakładki, aby ustabilizować ławkę.

UWAGA: upewnij się, że wsporniki nóg znajdują się całkowicie wewnątrz wspornika. Usiądź i odtwarzaj muzykę jak nigdy dotąd.



INSTRUKCJA MONTAŻU STOJAKA

1. Umieść nóżki na podłodze w pozycji wskazanej na ilustracji.
2. Używając śrub, przymocuj wspornik X do nóżek za pomocą klucza imbusowego.
3. Umieść górne pręty podtrzymujące na górnej części wspornika i zabezpiecz śrubami za pomocą klucza imbusowego.
Nie dokręcać zbyt mocno.



OPERACJA



- 1. GŁOŚNIKI**
Głośniki odtwarzające dźwięk odtwarzanej muzyki. Poziom dźwięku jest określany na podstawie ustawienia głośności.
- 2. POWER**
Naciśnij, aby włączyć/wyłączyć zasilanie.
- 3. MASTER VOLUME**
Naciśnij [**Master Vol +/-**], aby zwiększyć lub zmniejszyć głośność główną. Klawiatura ma 9 poziomów głośności od 00 do 08.
- 4. RHYTHM VOLUME**
Naciśnij [**Rhythm Vol +/-**], aby zwiększyć lub zmniejszyć głośność akompaniamentu. Domyślna głośność to 06. Jednoczesne naciśnięcie przycisków Rhythm [**vol +**] i [**vol -**] automatycznie przywróci domyślną głośność rytmu.
- 5. FINE TUNING**
Naciśnij przycisk precyzyjnego strojenia [**+ lub -**], aby mikrokontrolować ton w zakresie +/- 99 poziomów między dwoma łączącymi się tonami. Naciskaj przycisk [**+ lub -**], aby zwiększać lub zmniejszać poziomy w sposób ciągły. Naciśnij jednocześnie [**+ i -**], aby powrócić do początkowo ustawionego poziomu.
- 6. TRANSPOSE**
Naciśnij [**Transpose +/-**], aby zwiększyć lub zmniejszyć wartość transpozycji w górę i w dół o +/- 6 poziomów i przesunąć wysokość dźwięku całej klawiatury w górę i w dół w odstępach półtonowych. Naciśnij jednocześnie przycisk [**Transpose +/-**] aby powrócić do domyślnego stanu brzmienia klawiatury.
- 7. SINGLE CHORD**
Naciśnij przycisk [**Start/Stop**], aby uruchomić automatyczny akompaniament. Następnie naciśnij [**Single chord**], aby rozpocząć akompaniament pojedynczymi palcami. Naciśnij dowolny klawisz z 19 lewych klawiszy, aby rozpocząć rytm. Naciśnij inny klawisz na lewej klawiaturze, aby wybrać inny akord. Naciśnięcie jednego klawisza zawsze określa podstawę granego akordu. Naciśnij ponownie [**Start/Stop**], aby zakończyć efekt.
- 8. FINGER CHORD**
Naciśnij [**Start/Stop**], aby rozpocząć automatyczny akompaniament. Naciśnij [**Finger chord**], aby uruchomić akompaniament palcowy. Naciśnij dowolny klawisz z 19 lewych klawiszy, aby rozpocząć rytm. Naciśnij inny klawisz na lewej klawiaturze, aby wybrać inny akord. Po zagranie dowolnego akordu w sekcji automatycznego akompaniamentu na klawiaturze, akord wraz z rytmem zostanie automatycznie uruchomiony, a naciśnięty klawisz zawsze będzie określał podstawę zagranego akordu. Naciśnij ponownie przycisk [**Start/Stop**], aby zakończyć efekt.
- 9. LOW CHORD**
Naciśnij [**Low chord**], aby zmienić efekt basu.
- 10. CHORD CLEAR**
Naciśnij [**Chord clear**], aby zakończyć akompaniament w stanie akordu, rytm będzie kontynuowany.
- 11. START/STOP**
Naciśnij, aby rozpocząć lub zatrzymać odtwarzanie wybranego programu.
- 12. SYNC**
W trybie rytmu naciśnij [**SYNC**]. Naciśnij dowolny klawisz w strefie klawiszy akordu (klawisz 1-19 od lewej), aby aktywować rytm akompaniamentu.
- 13. FILL IN**
Naciśnij [**FILL-IN**], aby dodać krótkie wypełnienie wariacji rytmu w dowolnym momencie podczas odtwarzania rytmu. Następnie normalny rytm rozpocznie się od następnego taktu.
- 14. INTRO/ENDING**
Naciśnij [**Intro/Ending**] przed rozpoczęciem rytmu, klawiatura wykona długie względne intro, a następnie powróci do względnego normalnego rytmu. Naciśnij [**Intro/Ending**] po rozpoczęciu rytmu, klawiatura wykona względne zakończenie i zatrzyma się.
- 15. BEAT**
Na klawiaturze zapisane są 4 rodzaje rytmu: 1/4 taktu, 2/4 taktu, 3/4 taktu i 4/4 taktu. Naciśnij przycisk [**Beat**] jednocześnie, aby wybrać różne takty.
- 16. TEMPO**
Naciśnij [**Tempo +/-**], aby zwiększyć lub zmniejszyć prędkość rytmu.

17. PERKUSJA NA PANELU GÓRNYM

Naciśnij jeden z przycisków perkusji. Dla tej klawiatury dostępnych jest 6 rodzajów perkusji.

- Hi-Hat otwarty
- Hi-Hat zamknięty
- Werbel L
- Bongo L
- Bęben basowy H Miękki
- Bęben basowy L

18. ONE KEY TEACHING

Naciśnij przycisk **[One Key]**, aby włączyć funkcję uczenia za pomocą jednego przycisku. Naciśnij przyciski numeryczne **[1-9]** lub **[+ / -]**, aby wybrać utwór do nauki. Trening jednego klawiszu ma na celu naukę na czas i nie ma wymogu dotyczącego wysokości dźwięku lub kreatywności. Ten tryb umożliwi popęlnianie błędów podczas grania na klawiszach, ale klawiatura nadal odtwarza prawidłowe nuty.

19. FOLLOW TEACHING

Naciśnij przycisk **[Follow teaching]**, aby włączyć funkcję nauki podążania za klawiszami. Aby poprawnie zagrać nutę, należy podążać za wyświetlaczem, a następnie automatycznie zagrać następną nutę wyświetlaną na wyświetlaczu.

20. SUSTAIN

Po naciśnięciu przycisku **[Sustain]** nuty grane na klawiaturze będą stopniowo zanikać po oderwaniu palca od klawiatury. Ponowne naciśnięcie tego przycisku spowoduje wyłączenie efektu sustain.

21. VIBRATO

Naciśnięcie przycisku **[Vibrato]** spowoduje włączenie efektu vibrato. Ponowne naciśnięcie tego przycisku spowoduje wyłączenie efektu vibrato.

22. KEYBOARD SPLIT

Naciśnij przycisk **[Keyboard Split]**, aby podzielić klawiaturę na lewą i prawą. Lewe 24 klawisze będą stanowiły klawiaturę lewą, a pozostała część klawiszy zostanie podzielona na klawiaturę prawą. Głos na prawej klawiaturze można wybrać, naciskając numer na przyciskach grupy numerycznej. Głos na lewej klawiaturze jest początkowo ustawiony przez producenta. Naciśnij przycisk ponownie, aby wyłączyć efekt podziału.

23. NUM-PAD

Naciśnij **[+/-]** lub „0” do „299” na przyciskach grup numerycznych, aby wybrać akompaniament.

24. WYŚWIETLACZ LCD

Wyświetla bieżący tryb, nuty do zagrania, rytm, tempo itp.

25. RECORD

Naciśnij **[REC]**, aby włączyć funkcję nagrywania, na wyświetlaczu pojawi się „REC”.

26. PROGRAM

Naciśnij, aby włączyć funkcję programowania rytmu.

27. PLAY

Naciśnij, aby odtworzyć nagrane nuty lub rytmy.

28. VOICE

Dostępnych jest 300 różnych rodzajów głosów (Załącznik I). Naciśnij przycisk **[Voice]**, aby rozpocząć wybieranie głosu. Można nacisnąć **[0-9]** lub **[+/-]**. Głos zaczyna się od "000" do "299" i jeśli wejście jest poza tym zakresem, będzie nieefektywne.

29. RHYTHM

Dostępnych jest 300 różnych rodzajów rytmów (Załącznik II). Naciśnij przycisk **[Start/Stop]**, aby uruchomić żądany rytm. Naciśnij przycisk **[Rhythm]**, aby wybrać rytm rozpoczynający się od "000" do "299", a jeśli wartość wejściowa wykracza poza ten zakres, rytm będzie nieskuteczny.

30. DEMO

Ta klawiatura posiada 49 zapisanych utworów demo („000” do „049”) do wyboru (Załącznik III). Po naciśnięciu przycisku **[DEMO]** rozpocznie się odtwarzanie domyślnego utworu demonstracyjnego. Podczas odtwarzania naciśnij przycisk **[DEMO]**, aby odtworzyć następny utwór demonstracyjny. Naciśnij **[START/STOP]**, aby zatrzymać odtwarzanie. Podczas odtwarzania można również nacisnąć klawisz **[0-9]** lub **[+]** / **[-]**, aby wybrać inne utwory demonstracyjne. Wybrany utwór demonstracyjny będzie odtwarzany wielokrotnie

POŁĄCZENIA

31. WEJŚCIE MIKROFONU

Podłącz mikrofon do portu MIC, aby śpiewać podczas gry na klawiaturze.

32. SŁUCHAWKI/WYJŚCIE

Po podłączeniu słuchawek do portu PHONES/OUTPUT głośnik zostanie automatycznie wyłączony. Możesz występować bez przeszkadzania innym i bez przeszkadzania innym.

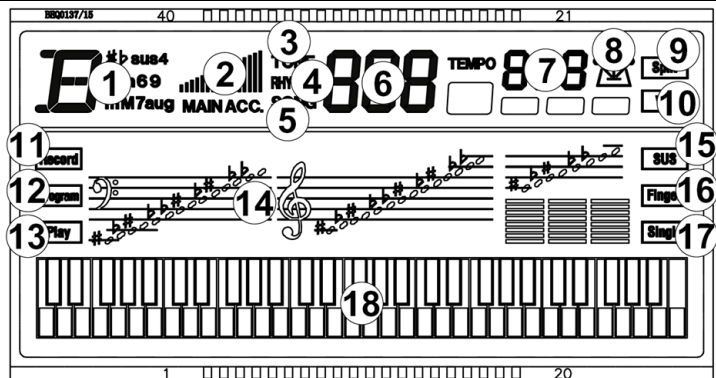
33. WEJŚCIE DC 9V

Gniazdo do podłączenia dostarczonego zasilacza DC-9V



DISPLAY

1. Chord display Area
2. Volume
3. Tone
4. Rhythm
5. Demo
6. Number display
7. Tempo
8. Beat (metronome shows the current beat)
9. Split
10. Vibrato
11. Record
12. Program
13. Play
14. Staff notation
15. Sustain
16. Finger chord
17. Single chord
18. Black/white key display



PRZED ROZPOCZĘCIEM

ZASILANIE:

Korzystanie z zasilacza AC-DC:

- Użyj specjalnego zasilacza, w który wyposażona jest ta klawiatura elektroniczna lub zasilacza o napięciu wyjściowym DC 9V 500mA. Włóż wtyczkę DC lub zasilacz do gniazda zasilania DC 9V na tylnym panelu klawiatury elektronicznej, włóż drugi koniec do gniazda Main, włącz przełącznik zasilania i rozpocznij działanie.
- **Korzystanie z baterii: (brak w zestawie):**
Otwórz pokrywę komory baterii znajdującą się na dolnym panelu klawiatury elektronicznej. Włóż 6 baterii AA, zwracając uwagę na oznaczenie biegunowości na obudowie. Załóż pokrywę komory, upewniając się, że jest dobrze zablokowana.
- Umieść stojak na nuty w gnieździe klawiatury.

NAGRYWANIE

Naciśnij **[Rec]**, aby włączyć funkcję nagrywania, na wyświetlaczu pojawi się „rEC”. W tym trybie wszystkie zagrane nuty zostaną nagrane. Maksymalna ilość nagrań to 48 nut. Gdy pamięć zostanie zapełniona, na wyświetlaczu zacznie migać „Full”, a nagrywanie zostanie automatycznie zatrzymane. Naciśnij **[Play]**, aby odtworzyć nagrane nuty, na ekranie pojawi się „Ply”. Po zakończeniu odtwarzania na wyświetlaczu pojawi się „rEC”. Możesz nagrać nowy rytm lub nacisnąć **[Play]**, aby odtworzyć nagrany rytm.

Naciśnij przycisk **[Program]**, aby przejść do trybu programowania rytmu. Naciśnij 6 rodzajów perkusji panelowej lub klawiaturę, aby zaprogramować akapit rytmu. Edytowany rytm może zawierać maksymalnie 32 punkty perkusyjne. Naciśnij przycisk **[Play]**, aby odtworzyć edytowany dźwięk perkusji w sekwencji, tworząc rodzaj własnego rytmu po zakończeniu programowania. Najlepszy efekt odtwarzania rytmu można uzyskać, dostosowując przyciski **[Temp +/-]**. Każde naciśnięcie przycisku **[Program]** spowoduje wyczyszczenie ostatniej pamięci i ponowne przejście do trybu programowania.

FUNKCJA UCZENIA

Uczenie jednym przyciskiem:

Aby wybrać utwór, którego chcesz się nauczyć, użyj przycisków numerycznych i przycisków **[+]** lub **[-]** po naciśnięciu przycisku **[One key teaching]**. Na wyświetlaczu LCD pojawi się aktualny numer utworu. Funkcja uczenia jednym przyciskiem jest przeznaczona specjalnie do nauki utworów. Przypomina ona nutę, która powinna być aktualnie odtwarzana. Nie ma ona wymagań dotyczących wysokości i poprawności nut. Po zakończeniu nauki jednego utworu, urządzenie będzie automatycznie uczyć się bieżącego lub następnego utworu. Naciśnięcie przycisku **[Start/Stop]** lub ponowne naciśnięcie przycisku **[One key teaching]** spowoduje wyjście z funkcji uczenia.

Śledzenie nauki:

Aby wybrać utwór, którego chcesz się nauczyć, użyj przycisków numerycznych i przycisków **[+]** lub **[-]** po naciśnięciu przycisku **[Follow teaching]**.

Funkcja podążania za nauczaniem jest specjalna do podążania za poprawnymi nutami, aby kontynuować naukę. Klawiatura przypomni nuty, które należy zagrać w danej chwili. Można uczyć się na podstawie wartości klawiszy nut wyświetlanych na ekranie LCD. Utwór może być kontynuowany po zagraniu odpowiednich nut. Utwór będzie w stanie oczekiwania przez cały czas, dopóki nie zostaną odtworzone prawidłowe nuty. Naciśnięcie przycisku **[Start/Stop]** lub ponowne naciśnięcie przycisku **[Follow teaching]** spowoduje wyjście z funkcji uczenia.

Uwaga: Prawidłowo zagrane klawisze mogą być odtwarzane, nie ma reakcji na nieprawidłowo zagrane klawisze w trybie następującej funkcji uczenia. Funkcja ta będzie automatycznie uczyć się bieżącego lub następnego utworu.

ČESKY

Gratulujeme ke koupi tohoto produktu MAX Music. Před použitím výrobku si pečlivě přečtěte tento návod, abyste mohli plně využívat všechny jeho funkce.

Před použitím přístroje si přečtěte tuto příručku. Postupujte podle pokynů, aby nedošlo ke zneplatnění záruky. Přijměte veškerá preventivní opatření, abyste zabránili požáru nebo úrazu elektrickým proudem. Opravy smí provádět pouze kvalifikovaný technik, aby nedošlo k úrazu elektrickým proudem. Návod si uschovejte pro budoucí použití.

- Před použitím přístroje se poradte s prodávajícím. Při prvním zapnutí jednotky může dojít k zápachu. To je normální a po chvíli to zmizí.
- Přístroj obsahuje části pod napětím. Proto neotvírejte jeho kryt.
- Neumisťujte do přístroje kovové předměty a nelijte na ni tekutiny. Mohlo by dojít k úrazu elektrickým proudem a poruše.
- Neumisťujte jednotku do blízkosti zdrojů tepla, jako jsou radiátory apod.
- Neumisťujte jednotku na vibrující povrch. Nezakrývejte ventilační otvory.
- Jednotka není vhodná pro trvalé používání.
- S napájecím kabelem buďte opatrní a nepoškozujte jej. Vadný nebo poškozený napájecí kabel může způsobit úraz elektrickým proudem, nebo poruchu.
- Při odpojování zařízení od zásuvky vždy tahejte za zástrčku, nikdy ne za kabel.
- Nezapojujte a neodpojujte přístroj mokřkýma rukama.
- Pokud je poškozena zástrčka a / nebo napájecí kabel, musí být opraveny kvalifikovaným technikem.
- Pokud je jednotka poškozena do takové míry, že jsou vidět vnitřní části, NEZAPOJUJTE jednotku do zásuvky ani ji NEZAPÍNEJTE. Kontaktujte svého prodejce. NEPŘIPOJUJTE jednotku k reostatu nebo stmívači.
- Aby nedošlo k požáru, nebo úrazu elektrickým proudem, nevystavujte jednotku dešti a vlhkosti.
- Všechny opravy musí provádět pouze kvalifikovaný technik.
- Připojte přístroj k uzemněné síťové zásuvce (220 - 240 V, střídavý / 50 Hz) chráněné pojistkou 10 - 16 A.
- Během bouřky nebo pokud nebudete jednotku delší dobu používat, odpojte ji od elektrické sítě. Pokud zařízení nepoužíváte, odpojte jej od elektrické sítě.
- Pokud jednotku nebudete delší dobu používat, může dojít ke kondenzaci vlhkosti. Než přístroj zapnete, nechejte jej dosáhnout pokojovou teplotu. Nikdy nepoužívejte jednotku ve vlhkých místnostech nebo venku.
- Abyste předešli nehodám na veřejnosti, musíte postupovat podle příslušných pokynů a instrukcí.
- Zařízení opakovaně nezapínejte a nevypínejte. Tím se zkracuje jeho životnost.
- Uchovávejte jednotku mimo dosah dětí. Nenechávejte jednotku bez dozoru.
- K čištění spínačů nepoužívejte čisticí spreje. Zbytky těchto sprejů způsobují, že se na spínačích usazuje prach a mastnota. V případě poruchy vždy vyhledejte radu od odborníka.
- Na ovládací prvky netlačte silou.
- Tato jednotka má uvnitř reproduktor, který může způsobit magnetické pole. Udržujte proto toto zařízení ve vzdálenosti alespoň 60 cm od počítače nebo televize.
- Pokud má tato jednotka vestavěnou dobíjecí baterii, tak ji dobijte alespoň 1x za 3 měsíce. Jinak může dojít k poškození baterie.
- Pokud je baterie poškozená, vyměňte ji za baterii se stejnými specifikacemi. Poškozenou baterii zlikvidujte ekologicky.
- Pokud Vám přístroj upadnul, nechte ho před opětovným zapnutím zkontrolovat kvalifikovaným technikem.
- K čištění jednotky nepoužívejte chemikálie. Poškozují lak. Jednotku čistěte pouze suchým hadříkem.
- Uchovávejte mimo dosah elektronických zařízení, která mohou způsobovat rušení.
- K opravám používejte pouze originální náhradní díly, jinak může dojít k vážnému poškození nebo nebezpečnému záření.
- Před odpojením od sítě nebo od jiného zařízení přístroj vypněte. Před přemístováním přístroje odpojte všechny napájecí i jiné kabely.
- Zajistěte, aby nemohlo dojít k poškození síťového kabelu, když po něm lidé kráčí. Před každým použitím zkontrolujte přívodní kabel, zda není poškozený nebo vadný!
- Síťové napětí je 220 – 240 V, AC / 50Hz. Zkontrolujte, zda se napětí v zásuvce shoduje. Pokud cestujete, zkontrolujte, zda je v dané zemi pro tuto jednotku vhodné síťové napětí.
- Uschovejte originální obalový materiál, abyste mohli jednotku v případě potřeby přepravit v bezpečných podmínkách.



Tento znak upozorňuje uživatele na vysokém napětí, které je uvnitř přístroje a které je dostatečně velké, aby způsobilo nebezpečí úrazu elektrickým proudem.



Tento znak upozorňuje uživatele na důležité pokyny obsažené v této příručce, kterou by si měl před používáním přečíst a dodržovat.

Jednotka má certifikát CE. Na jednotce je zakázáno provádět jakékoli změny. Certifikát CE by tím pozbyl platnost a zboží by přišlo o záruku!

POZNÁMKA: Aby bylo zajištěno, že jednotka bude fungovat normálně, musí být používána v místnostech s teplotou mezi 5 °C a 35 °C.



Elektrické výrobky se nesmí ukládat do domácího odpadu. Přineste je, prosím, do recyklačního centra. Zeptejte se místních úřadů nebo prodejce na postup. Specifikace jsou typické. Skutečné hodnoty se mohou z jedné jednotky na druhou mírně změnit. Specifikace lze změnit bez předchozího upozornění.

Nepokoušejte se sami provádět žádné opravy. To by zneplatnilo vaši záruku. Na jednotce neprovádějte žádné změny. Tím by také zanikla vaše záruka. Záruka se nevztahuje na nehody nebo škody způsobené nevhodným použitím nebo nerespektováním varování obsažených v této příručce. Max Music nemůže nést odpovědnost za zranění osob způsobená nerespektováním bezpečnostních doporučení a varování. To platí také pro všechny škody v jakékoli formě.

OKYNY K VYBALOVÁNÍ

UPOZORNĚNÍ Po obdržení krabice ji pečlivě vybalte. Zkontrolujte obsah a ujistěte se, že jsou všechny díly přítomny a byly doručeny v dobrém stavu. Pokud se některé díly zdají být poškozené při přepravě nebo samotný obal vykazuje známky špatného zacházení, neprodleně to oznamte odesílateli a ponechte si obalový materiál. Balení a veškerý obalový materiál uschovejte. Pokud je nutné výrobek vrátit, je důležité, aby byl výrobek vrácen v původní krabici a obalu od výrobce. Pokud byl přístroj vystaven prudkému kolísání teplot (např. po přepravě), nezapínejte jej ihned. Vzniklá kondenzovaná voda by mohla zařízení poškodit. Zařízení nechte vypnuté, dokud nedosáhne pokojové teploty.

NAPÁJENÍ

Na štítku na spodní straně výrobku je uvedeno, k jakému typu napájení musí být výrobek připojen. Zkontrolujte, zda tomu odpovídá síťové napětí, všechna jiná napětí mohou způsobit nenapravitelné škody. Výrobek musí být také připojen přímo k elektrické síti, bez stmívače nebo nastavitelného zdroje.

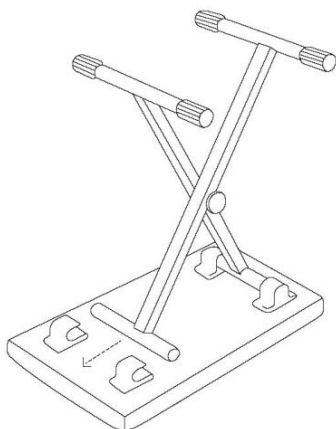


Přístroj vždy připojujte k chráněnému obvodu (jistič nebo pojistka). Ujistěte se, že má zařízení vhodné elektrické uzemnění, abyste předešli riziku úrazu elektrickým proudem nebo požaru.

NÁVOD K MONTÁŽI LAVIČKY

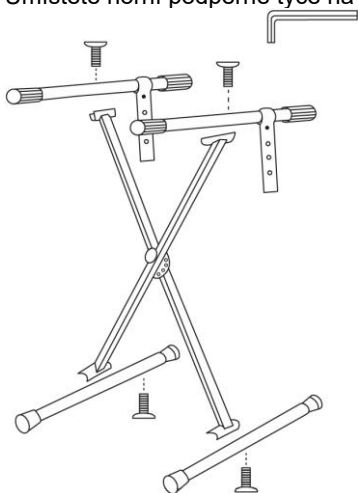
1. Umístěte sedadlo vzhůru nohama.
2. Zvedněte levou i pravou nohu nahoru.
3. Zasuňte podpěry nohou do držáků, aby se nohy zajistily ve správné poloze. Otáčením krytů stabilizujte lavici.

POZNÁMKA: ujistěte se, že podpěry nohou sedí až na doraz v držáku. Posadte se a přehrávejte hudbu jako nikdy předtím.



NÁVOD K MONTÁŽI STOJANU

1. Umístěte nohy na podlahu do polohy uvedené na obrázku.
 2. Pomocí šroubů připevněte držák X k nohám pomocí imbusového klíče.
- Umístěte horní podpěrné tyče na horní část držáku a pomocí imbusového klíče je zajistěte šrouby. **Neutahujte příliš silně**



OPERACE



1. **ŘEČNÍCI**
Reprodukory pro reprodukci zvuku přehrávané hudby. úroveň zvuku se určuje na základě nastavení hlasitosti.
2. **POWER**
Stisknutím zapnete/vypnete napájení.
3. **MASTER VOLUME**
Stisknutím tlačítka **[Master Vol +/-]** zvýšíte nebo snížíte hlavní hlasitost. Klávesnice měla 9 úrovní hlasitosti od 00 až 08.
4. **RHYTHM VOLUME**
Stisknutím tlačítka **[Rhythm Vol +/-]** zvýšíte nebo snížíte hlasitost doprovodu. Výchozí hlasitost je 06. Současným stisknutím tlačítek Rhythm **[vol +]** nebo **[vol -]** se automaticky obnoví výchozí hlasitost Rhythm.
5. **FINE TUNING**
Stisknutím tlačítka jemného ladění **[+ nebo -]** můžete mikroregulovat tón v rozsahu +/- 99 úrovní mezi dvěma spojovacími tóny. Stisknutím tlačítka **[+ nebo -]** můžete úrovně plynule zvyšovat nebo snižovat. Současným stisknutím **[+ nebo -]** se vrátíte na původně nastavenou úroveň.
6. **TRANPOSE**
Stisknutím tlačítka **[Transpose +/-]** zvýšíte nebo snížíte hodnotu transpozice nahoru a dolů o +/- 6 úrovní a posunete výšku tónu celé klaviatury nahoru a dolů v půltónových intervalech. Současným stisknutím tlačítka **[Transpose +/-]** se vrátíte do výchozího stavu tónu klaviatury.
7. **SINGLE CHORD**
Stisknutím tlačítka **[Start/Stop]** spustíte automatický doprovod. Poté stisknete tlačítko **[Single chord]** pro spuštění jednorstvého doprovodu. Stisknutím libovolné klávesy z 19 levých kláves spustíte Rhythm. Stisknutím různých kláves na levé klaviatuře vyberete jiný akord. Jedna stisknutá klávesa vždy určí kořen zahraničního akordu. Opětovným stisknutím tlačítka **[Start/Stop]** efekt ukončíte.
8. **FINGER CHORD**
Stisknutím tlačítka **[Start/Stop]** spustíte automatický doprovod. Stisknutím tlačítka **[Finger chord]** spustíte prstový doprovod. Stisknutím libovolné klávesy z 19 levých kláves spustíte Rhythm. Stisknutím různých kláves na levé klaviatuře vyberete jiný akord. Jakmile zahrajete jakýkoli akord v sekci automatického doprovodu na klaviatuře, akord spolu s Rytmem se automaticky začne hrát Stisknutá klávesa vždy určí kořen zahraničního akordu. Pro ukončení efektu stisknete znovu tlačítko **[Start/Stop]**.
9. **LOW CHORD**
Stisknutím tlačítka **[Low chord]** změníte efekt basů.
10. **CHORD CLEAR**
Stisknutím tlačítka **[Chord clear]** ukončíte doprovod ve stavu akordů, rytmus bude pokračovat v přehrávání.
11. **START/STOP**
Stisknutím spustíte nebo zastavíte přehrávání vybraného programu.
12. **SYNC**
V rytmickém režimu stisknete tlačítko **[SYNC]**. Zahrajte libovolnou klávesu v zóně akordových kláves (1.-19. klávesa zleva), čímž aktivujete doprovodný rytmus.
13. **FILL IN**
Stisknutím tlačítka **[FILL-IN]** můžete kdykoli během přehrávání rytmu přidat krátkou výplň ve variaci Rhythm. Poté se od dalšího taktu spustí normální Rytmus.
14. **INTRO/ENDING**
Stisknete **[Intro/Ending]** předtím, než byl Rytmus spuštěn, klaviatura provede délku relativního intra, poté se vrátí zpět do relativního normálního Rytmu. Stisknete **[Intro/Ending]** poté, co byl Rhythm spuštěn, klaviatura provede délku relativního konce a zastaví se.
15. **BEAT**
Na klaviatuře jsou uloženy 4 druhy hlasu beatu: V tomto případě jsou k dispozici tyto rytmické hlasy: 1/4 beat, 2/4 beat, 3/4 beat a 4/4 beat. Stisknete současně tlačítko **[Beat]** pro různé rytmy.
16. **TEMPO**
Stisknutím tlačítka **[Tempo +/-]** zvýšíte nebo snížíte rychlost rytmu.

17. HORNÍ PANEL BICÍ NÁSTROJE

Stiskněte jedno z tlačítek Percussion. Pro tuto klaviaturu je k dispozici 6 druhů bicích nástrojů.

- Hi-Hat Open
- Hi-Hat Closed
- Snare L
- Bongo L
- Basový buben H Měkký
- Basový buben L

18. ONE KEY TEACHING

Stisknutím tlačítka **[One Key]** povolíte funkci výuky jedné klávesy. Stisknutím číselných tlačítek **[1-9]** nebo tlačítka **[+/-]** vyberte skladbu, která se má učit. Výuka podle jedné klávesy je zaměřena na délku trvání výuky a nejsou při ní kladeny žádné požadavky na výšku tónu nebo kreativitu. Tento režim umožňuje při hře na klávesy dělat chyby, ale klaviatura stále přehrává správné noty.

19. FOLLOW TEACHING

Stisknutím tlačítka **[Follow teaching]** zapnete funkci výuky podle kláves. Podle displeje zahrajte správně notu a poté zahrajte automaticky další notu zobrazenou na displeji.

20. SUSTAIN

Stiskněte tlačítko **[Sustain]** a noty hrané na klaviatuře budou po zvednutí prstu z klaviatury postupně doznívat. Stiskněte toto tlačítko znovu a efekt sustain se vypne.

21. VIBRATO

Stiskněte tlačítko **[Vibrato]** a aktivuje se efekt vibrato. Stiskněte toto tlačítko znovu a efekt vibrato bude deaktivován.

22. KEYBOARD SPLIT

Stisknutím tlačítka **[Keyboard Split]** rozdělíte klaviaturu na levou a pravou. Levých 24 kláves bude tvořit levorukou klaviaturu a zbývající část kláves bude rozdělena jako pravoruká klaviatura. Hlas na pravé klávesnici lze vybrat stisknutím čísla na tlačítkách číselné skupiny. Hlas na levé klávesnici je zpočátku nastaven výrobcem. Opětovným stisknutím tlačítka efekt rozdělení vypnete.

23. NUM-PAD

Stisknutím tlačítek **[+/-]** nebo „0“ až „299“ na tlačítkách číselné skupiny vyberte doprovod.

24. LCD DISPLEJ

Zobrazuje aktuální režim, noty k přehrávání, rytmus, tempo atd.

25. RECORD

Stisknutím tlačítka **[REC]** aktivujete funkci nahrávání, na displeji se zobrazí „REC“.

26. PROGRAM

Stisknutím tlačítka zapnete funkci programování rytmu.

27. PLAY

Stisknutím přehrajete nahrané noty nebo Rytmy.

28. VOICE

K dispozici je 300 různých druhů hlasů (Příloha I). Stisknutím tlačítka **[Voice]** zahájíte výběr hlasu. Můžete stisknout číslo **[0-9]** nebo **[+/-]**. hlas začíná od "000" do "299" a pokud je vstup mimo tento rozsah, bude neúčinný.

29. RHYTHM

Existuje 300 různých druhů rytmů (příloha II). Stisknutím tlačítka **[Start/Stop]** spustíte rytmus, který potřebujete. Stisknutím tlačítka **[Rhythm]** vyberte Rytmus začíná od "000" do "299" a pokud je vstup mimo tento rozsah, bude neúčinný.

30. DEMO

Tato klaviatura má uloženo 49 demo skladeb [„000“ až „049“] pro váš výběr (příloha III). Stiskněte tlačítko **[DEMO]** a začne se přehrávat výchozí demo skladba. Během přehrávání stiskněte tlačítko **[DEMO]** pro přehrávání další demonstrační skladby. Stisknutím tlačítka **[START/STOP]** přehrávání ukončíte. Během procesu přehrávání můžete také stisknutím čísel **[0-9]** nebo **[+] / [-]** vybrat další demonstrační skladby. Vybraná ukázková skladba se pak bude opakovaně přehrávat.

CONNECTIONS

31. MIKROFONNÍ VSTUP

Připojte mikrofon k portu MIC, abyste mohli zpívat při hře na klaviaturu.

32. SLUCHÁTKA/VÝSTUP

Při připojení sluchátek do portu PHONES/OUTPUT se automaticky vypne reproduktor. Můžete vystupovat, aniž byste rušili ostatní a ostatní rušili vás.

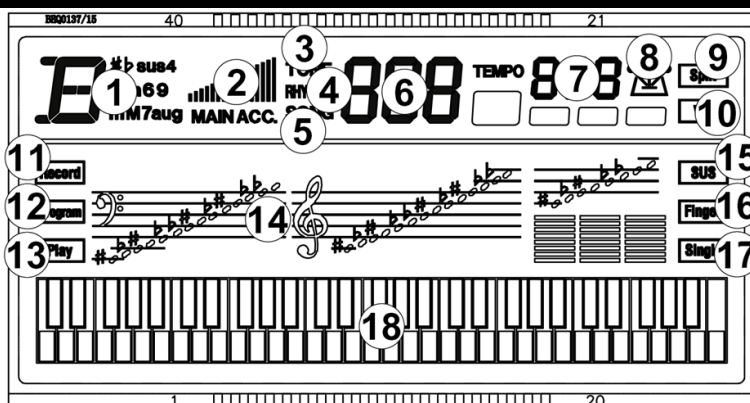
33. DC 9V VSTUP

Zásuvka pro připojení dodaného adaptéru DC-9V.



DISPLAY

1. Chord display Area
2. Volume
3. Tone
4. Rhythm
5. Demo
6. Number display
7. Tempo
8. Beat (metronome shows the current beat)
9. Split
10. Vibrato
11. Record
12. Program
13. Play
14. Staff notation
15. Sustain
16. Finger chord
17. Single chord
18. Black/white key display



NEŽ ZAČNETE

Napájení:

• Pomocí AC-DC adaptéru:

Použijte speciální napájecí adaptér, kterým je tato elektronická klávesnice vybavena, nebo napájecí adaptér s výstupním napětím DC 9V 500mA. Zasuňte DC zástrčku nebo napájecí adaptér do DC 9V napájecího konektoru na zadním panelu elektronické klávesnice, druhý konec zasuňte do hlavní zásuvky, zapněte vypínač a začnete hrát.

• Použití baterií: (nejsou součástí dodávky):

Otevřete kryt prostoru pro baterie umístěný na spodním panelu elektronické klaviatury. Vložte 6 ks baterií typu AA, přičemž dbejte na dodržení označení polarit na skříni. Vraťte kryt přihrádky a ujistěte se, že je pevně zajištěn.

- Umístěte notový stojan do slotu klaviatury.

NAHRÁVÁNÍ

Stisknutím tlačítka **[Rec]** aktivujete funkci nahrávání, na displeji se zobrazí „rEC“. V tomto režimu se budou nahrávat všechny přehrané noty. Maximální množství záznamu je 48 not. Po zaplnění paměti bude na displeji blikat „Full“ a nahrávání se automaticky zastaví. Stisknutím tlačítka **[Play]** přehrajete nahrané noty, na displeji se zobrazí „Ply“. Po dokončení přehrávání se na displeji zobrazí „rEC“. Můžete nahrát nový rytmus nebo stisknutím tlačítka **[Play]** přehrát nahraný rytmus.

Stisknutím tlačítka **[Program]** přejdete do režimu programování Rytmu. Stisknutím 6 druhů panelových bicích nebo klávesnice naprogramujete odstavec Rhythm. Upravený Rytmus může zaznamenat maximálně 32 bodů bicích. Stisknutím tlačítka **[Play]** postupně přehrajete editovaný zvuk bicích a vytvoříte tak po dokončení programování jakýsi vlastní Rytmus. Nejlepšího efektu přehrávání Rytmu lze dosáhnout nastavením tlačítek **[Temp +/-]**. Při každém stisknutí tlačítka **[Program]** dojde k vymazání poslední paměti a opětovnému přechodu do režimu programování.

FUNKCE VÝUKY

Výuka pomocí jednoho tlačítka:

Pro výběr skladby, kterou se potřebujete naučit, použijte číselná tlačítka a tlačítka **[+]** nebo **[-]** po stisknutí tlačítka **[One key teaching]**. Na LCD displeji se zobrazí aktuální číslo skladby. Funkce učení jedním tlačítkem je speciální pro učení skladeb. Připomene notu, kterou je třeba v současné době přehrát. Nemá požadavek na výšku a správnost not. Jedna skladba byla naučena nadoraz, bude se opakovaně učit současnou nebo další skladbu automaticky. Stisknutím tlačítka **[Start/stop]** nebo opětovným stisknutím tlačítka **[One key teaching]** funkci učení ukončíte.

Následná výuka:

Výběr skladby, kterou se potřebujete naučit, pomocí číselných tlačítek a tlačítek **[+]** nebo **[-]** po stisknutí tlačítka **[Follow teaching]**.

Funkce Follow teaching je speciální pro následné přehrávání správných not, abyste mohli pokračovat v učení. Můžete pokračovat v přehrávání na základě DEMO. Klaviatura připomene notu, kterou je třeba v současné době zahrát. Můžete se učit na základě hodnoty kláves 'not' zobrazených na LCD displeji. Skladba může pokračovat v přehrávání, pokud zahrájete odpovídající noty. Skladba bude po celou dobu v čekacím stavu, dokud nezahrájete správné noty. Stisknutím tlačítka **[Start/stop]** nebo opětovným stisknutím tlačítka **[Follow teaching]** ukončíte funkci učení.

Poznámka: Správně zahrané klávesy lze přehrát, na špatně zahrané klávesy není v režimu funkce následného učení žádná odezva. Opakovaně se bude automaticky učit současnou nebo následující skladbu.

APPENDIX I (VOICE)

0 Acoustic Grand Piano	75 Pan Flute	150 Magic Electronic	225 Baritone Sax ensemble
1 Bright Acoustic iano	76 Bottle Blow	151 Bright violin	226 Crystal Sax
2 Electric Grand Piano	77 Shakuhachi	152 Atonic Violin	227 Soft Baritone Sax
3 Honky-tonk Piano	78 Whistle	153 Heavy 151 Bright Violin	228 Synth Baritone Sax
4 Rhodes Piano	79 Ocarina	154 Synth Clarinet	229 Heavy metal Sax
5 Chorused Piano	80 Lead 1 (square)	155 Interactive Lead	230 Church Oboe
6 Harpsichord	81 Lead 2 (sawtooth)	156 For the keyboard	231 Oboe ensemble
7 Clavichord	82 Lead 3 (caliope lead)	157 Bagpipes	232 Bass Oboe
8 Celesta	83 Lead 4 (chiff lead)	158 Suona	233 Bright Oboe
9 Glockenspiel	84 Lead 5 (charang)	159 Pipa	234 distortio oboe
10 Music man	85 Lead 6 (voice)	160 Church Piano	235 English Horn ensemble
11 Vibraphone	86 Lead 7 (fifths)	161 Church electric Piano	236 Pizzicato English Horn
12 Marimba	87 Lead 8 (bass+lead)	162 Synth Piano	237 Diplophonia English Horn
13 Xylophone	88 Pad 1 (new age)	163 Baritone Piano	238 Bright English Horn
14 Tubular Bells	89 Pad 2 (warm)	164 Piano PAD	239 Synth English Horn
15 Dulcimer	90 Pad 3 (polysynth)	165 String Piano	240 Psychedelic Synth Lead
16 Hammond Organ	91 Pad 4 (choir)	166 Metal Piano	241 Vibraphone Synth Lead
17 Percussive Organ	92 Pad 5 (bowed)	167 Light rhythm Piano	242 Marimba Synth Lead
18 Rock Organ	93 Pad 6 (metallic)	168 electric Piano Pad	243 Metal FX
19 Church Organ	94 Pad 7 (halo)	169 Classical piano	244 Electronic FX
20 Reed Organ	95 Pad 8 (sweep)	170 Guitar organ	245 Electronic String Ensemble
21 Accordion	96 FX 1 (rain)	171 An electric guitar	246 Wind FX
22 Harmonica	97 FX 2 (soundtrack)	172 synthesis Nylon Guitar	247 Clarinet FX
23 Tango Accordion	98 FX 3 (crystal)	173 Synthetic electronic guitar	248 Organ FX
24 Acoustic Guitar (nylon)	99 FX 4 (atmosphere)	174 Bright clean Guitar	249 Crystal FX
25 Acoustic Guitar (steel)	100 FX 5 (brightness)	175 Orchestra Guitar	250 Synth Shamisen
26 Electric Guitar (jazz)	101 FX 6 (goblins)	176 Psychedelic Guitar	251 Electronic Shamisen
27 Electric Guitar (clean)	102 FX 7 (echoes)	177 Bright Organ	252 Bright Sitar
28 Electric Guitar (muted)	103 FX 8 (sci-fi)	178 Pick Organ	253 Whistle Accord
29 Overdriven Guitar	104 Sitar	179 Synth Accordion	254 rhythm Nation
30 Distortion Guitar	105 Banjo	180 Bright Violin	255 Brigt Koto
31 Guitar Harmonics	106 Shamisen	181 Stringed Violin	256 Koto Lead
32 Acoustic Bass	107 Koto	182 Trill Violin	257 Diplophonia Koto
33 Electric Bass(finger)	108 Kalimba	183 Electronic Violin	258 Baritone Koto
34 Electric Bass (pick)	109 Bagpipe	184 Large Violin	259 Synth Koto
35 Fretless Bass	110 Fiddle	185 rhythm Orchestra	260 Environmental Lead
36 Slap Bass 1	111 Shanai	186 Pizzicato Violin	261 Metal Lead
37 Slap Bass 2	112 Tinkle Bell	187 Pizzicato Ensemble 1	262 Orchestra Lead
38 Synth Bass 1	113 Agogo	188 Pizzicato Ensemble 2	263 Glockenspiel Lead
39 Synth Bass 2	114 Steel Drums	189 Percussion Band	264 Bass Lead
40 Violin	115 Woodblock	190 Baritone Synth Contrabass	265 Fifths Lead
41 Viola	116 Taiko Drum	191 Bass Flute	266 Wind Lead
42 Cello	117 Melodic Tom	192 Distortion Contrabass	267 Atmosphere Lead
43 Contra Bass	118 Synth Drum	193 Contrabass Lead	268 Sharp Lead
44 Tremolo Strings	119 Reverse Cymbal	194 Violin Lead	269 Bright Lead
45 Pizzicato Strings	120 Guitar Fret Noise	195 Cello Lead	270 East Nation Pad
46 Orchestral Harp	121 Breath Noise	196 Pizzicato Rhythm	271 Atmosphere Pad
47 Timpani	122 Seashore	197 High Harp	272 Electric bass Pad
48 String Ensemble 1	123 Bird Tweet	198 Harp ensemble	273 electric Piano Pad
49 String Ensemble 2	124 Telephone Ring	199 Synth Harp	274 Clean Guitar Pad
50 Synth Strings 1	125 Helicopter	200 Baritone Trumpet	275 Western Pad
51 Synth Strings 2	126 Applause	201 Trumpet ensemble	276 Sci-fi Pad
52 Choir Aahs	127 Gunshot	202 Rhythm Trumpet	277 Metal Sci-fi Pad
53 Voice Oohs	128 Percussion	203 High Trumpet	278 Clarinet Pad
54 Synth Voice	129 Rhythm electric Piano	204 Synth Trumpet	279 Electronic dance Pad
55 Orchestra Hit	130 Baritone Xylophone	205 Baritone Trombone	280 Psychedelic electronic
56 Trumpet	131 Clean Piano	206 Trombone ensemble	281 Double Kalimba
57 Trombone	132 Bright Dulcimer	207 Rhythm Trombone	282 Bright Kalimba
58 Tuba	133 Rhythm Grand Piano	208 High Trombone	283 Crystal Kalimba
59 Muted Trumpet	134 Traditional Piano	209 Baritone Trombone	284 Synth Kalimba
60 French Horn	135 Aluminum jean	210 Synth Trombone	285 Wind Bagpipe
61 Brass Section	136 Rock Grand Piano	211 Violin French Horn	286 High Bagpipe
62 Synth Brass 1	137 Electronic organ	212 French Horn ensemble	287 Orchestra Bagpipe
63 Synth Brass 2	138 Psychedelic electronic	213 Electronic French Horn	288 Bright Bagpipe
64 Soprano Sax	139 Water jean	214 Synth French Horn	289 Baritone Bagpipe
65 Alto Sax	140 Bright Guitar	215 Psychedelic Synth Brass	290 Slap Bagpipe
66 Tenor Sax	141 Orchestra piccolo	216 Distortion Synth Brass	291 Environmental Shanai
67 Baritone Sax	142 Heavy metal guitar	217 Vibraphone Synth Brass	292 Mediant Shanai
68 Oboe	143 Crystal guitar	218 Rock Synth Brass	293 Baritone Shanai
69 English Horn	144 Queer electric Piano	219 Synth Muted Trumpet	294 Synth Shanai
70 Bassoon	145 Bright bass	220 Soprano Sax ensemble	295 High Shanai
71 Clarinet	146 Rock Electric Bass	221 Rhythm Soprano Sax	296 Bright Steel Drums
72 Piccolo	147 Rhythm Electric Bass	222 Synth Soprano Sax	297 Lyric Steel Drums
73 Flute	148 Psychedelic Bass	223 National Sax	298 Orchestra Steel Drums
74 Recorder	149 Heavy Metal Bass	224 Metal Sax	299 Synth Steel Drums

APPENDIX II (RHYTHM)

00 Beat 1	75 Mambo	150 Heavy Metal Rock 2	225 Progressive House
01 Beat 2	76 Samba	151 70' Rock	226 Epic House
02 Beat 3	77 Reggae	152 80' Rock	227 Tribble House
03 Beat 4	78 Rhumba	153 Middle Eastern Rock	228 Big Beat
04 Beat 5	79 Tango	154 Traditional Rock	229 Down Tempo
05 Beat 6	80 Habanera	155 Rock Disco	230 Electro 1
06 Beat 7	81 March 1	156 Modern Dance 1	231 Electro 2
07 Beat 8	82 March 2	157 Modern Dance 2	232 Electro 3
08 Beat 9	83 Polka 1	158 Modern Dance 3	233 House Dance
09 Beat 10	84 Polka 2	159 Modern Dance 4	234 Idm
10 Beat 11	85 Polka 3	160 Modern Dance 5	235 Jungle Drum
11 Beat 12	86 Vallenato	161 New Century 1	236 Techno
12 Beat 13	87 Waltz 1	162 New Century 2	237 Trance
13 Beat 14	88 Waltz 2	163 New Century 3	238 Trip-Hop
14 Rock 1	89 Waltz 3	164 Rock Dance 1	239 Experimental Electronic
15 Rock 2	90 Pop	165 Rock Dance 2	240 Western Swing
16 Cntr Rock	91 Love Ballad	166 Psyche Delic 1	241 Alt-Country
17 Country Rock	92 Easy Beat	167 Psyche Delic 2	242 Americana
18 Dance Rock	93 Soft Beat	168 Soft Rock	243 Charanga
19 Easy Rock	94 Shuffle	169 Post Rock	244 Tropical
20 Glam Rock	95 Cobmo	170 Goth Psychedelic	245 Ambient
21 Hard Rock 1	96 Shuffle 1	171 Soul Psychedelic 1	246 Punk Metal
22 Hard Rock 2	97 Shuffle 2	172 Soul Psychedelic 2	247 Experimental Rock
23 Pop_Rock	98 Slow Folk	173 Soul Psychedelic 3	248 Noise-Rock
24 Rock+Roll	99 Step	174 Soul Psychedelic 4	249 Celtic New Age
25 Rock Beat	100 Euro Pop	175 Psychedelic Swing	250 Ethnic Fusion
26 Rock Folk	101 Bachata Beat 1	176 Country Blues	251 Techno-Tribal
27 Rocky Pop	102 Bachata Beat 2	177 Electric Blues	252 Experimental
28 Dance 1	103 Africa Bossanova	178 Folk Blues	253 Minimalism
29 Dance 2	104 China Dance	179 Jazz Blues	254 Traditional Pop
30 Dance 3	105 Pop Beat	180 Jump Blues	255 Noise
31 Dance 4	106 Vienna Waltz	181 New Orleans Blues	256 Classical Beat 1
32 Dance 5	107 Africa Beat	182 New York Blues	257 Classical Beat2
33 Dance 6	108 Africa Mambo	183 Piano Blues	258 Classical Beat 3
34 Dance 7	109 Euro March 1	184 Soul Blues	259 Classical Beat 4
35 Dance 8	110 Euro March 2	185 Urban Blues	260 Classical Beat 5
36 Dance 9	111 Euro Merengue 1	186 Afro Beat	261 Classical Beat 6
37 Dance 10	112 Euro Merengue 2	187 Afro Pop	262 Classical Beat 7
38 Soul Funk	113 Mideast Dance	188 Celtic Pop	263 Classical Beat 8
39 Euro Soul	114 Africa Dance	189 Hawaiian Pop	264 Classical Beat 9
40 Funky Soul	115 Pop Samba 1	190 Indian Pop	265 Classical Beat 10
41 Funky Soul 2	116 Pop Samba 2	191 European Traditions	266 Classical Beat 11
42 Funky Soul 3	117 Africa Reggae	192 World Fusion	267 Classical Beat 12
43 Funky Soul 4	118 Euro Rhumba 1	193 DouJin	268 Classical Beat 13
44 Funky Soul 5	119 Euro Rhumba 2	194 Shima Uta	269 Classical Beat 14
45 Slow Soul 1	120 India Samba 1	195 Enka	270 Contemporary R&B 1
46 Slow Soul 2	121 India Samba 2	196 Japanese Folk Music	271 Contemporary R&B 2
47 Soul	122 Jazz Soul	197 Middle East Pop	272 Contemporary R&B
48 Big Band 1	123 Country Swing 1	198 Pop Baiao	273 Contemporary R&B4
49 Big Band 2	124 Country Swing 2	199 Pop Bequine	274 Contemporary R&B5
50 Blue Grass	125 Country Swing 3	200 New Age Latin	275 Deep Funk
51 Jazz Samba	126 Pop Waltz	201 New Bossanova	276 Doo Wop
52 Jazz Waltz	127 Pop Classic	202 Rock Lambada	277 Left-Field Hip-Hop
53 Jazz 1	128 Oriental Beat 1	203 Blues Mambo	278 Motown
54 Jazz 2	129 Oriental Beat 2	204 Pop Samba	279 Neo-Soul 1
55 Swing 1	130 Oriental Beat 3	205 Reggae Ballad	280 Neo-Soul 2
56 Swing 2	131 Oriental Beat 4	206 Pop Rhumba	281 Neo-Soul 3
57 Swing 3	132 Oriental Beat 5	207 Rock Tango	282 New Jack Swing
58 Country 1	133 Oriental Beat 6	208 Brit Pop 1	283 Urban
59 Country 2	134 Oriental Beat 7	209 Brit Pop.2	284 Contemporary Instrumental
60 Country 3	135 Oriental Beat 8	210 Brit Pop 3	285 Meditation
61 Country 4	136 Oriental Beat 9	211 Brit Pop 4	286 Neo-Classical 1
62 Country Waltz 1	137 Oriental Beat 10	212 Trip Hop 1	287 Neo-Classical 2
63 Country Waltz 2	138 Oriental Beat 11	213 Trip Hop 2	288 Neo-Classical 3
64 Country 5	139 Oriental Beat 12	214 Chamber Pop	289 New Acoustic
65 Country 6	140 Oriental Beat 13	215 Brit Pop Waltz 1	290 Solo Instrumental
66 Country 7	141 Oriental Beat 14	216 Brit Pop Waltz 2	291 Space
67 Slow Country 1	142 Jazz Rock 1	217 Brit Pop Waltz 3	292 Spiritual
68 Slow Country 2	143 Jazz Rock 2	218 Classical Ballad 1	293 Rock New Age
69 Soul Country	144 Soft Rock	219 Classical Ballad 2	294 Ragtime
70 Baiao	145 Classic Rock	220 Light Ballad	295 Bebop or Bop
71 Bequine	146 Folk Rock 1	221 Rhythm Ballad	296 Cool Jazz
72 Bolero	147 Folk Rock 2	222 Hard House	297 Free Jazz
73 Bossanova	148 Waltz Rock	223 Deep House	298 Jazz-Rock & Fusion
74 Lambada	149 Heavy Metal Rock 1	224 Acid House	299 Jazz Funk

APPENDIX III (DEMO SONGS)

No.	The name of song	No.	The name of song	No.	The name of song
00	London Bridge Is Falling Down	17	Hand in hand	34	Prom queen
01	Fantasy	18	Two hundred and fourteen	35	Ni Mengruoze
02	The twist	19	Fkey	36	Nen blauen Donau
03	Butter fly	20	Mozart Symphonies	37	Hawthorn
04	Paddle a canoe	21	The girl's Prayer	38	Mary had a little lamb
05	Country songs	22	Nocturne	39	Yellow ribbon
06	Rhythm of the rain	23	Another day in paradise	40	Toreador Song
07	Serenade	24	Red River Valley	41	Radetzky march
08	Bluegrass Music	25	Green sleeves	42	Radiant
09	Music moment	26	Mozart Piano Sonatas	43	Long Long Ago
10	Merry Christmas	27	Orange and lemon	44	Katyusha
11	American Patrol	28	Hallelujah	45	Susanna
12	Flower	29	Minuet	46	Little star
13	Pour Elise	30	Handshake	47	I Don't Care
14	Direct seeding	31	Rain	48	Minuet in G major
15	Turkey March	32	Pamela	49	Carman Overture
16	A cradle	33	Bnnie Edgar		

TECHNICAL SPECIFICATION / TECHNISCHE SPECIFICATIE / TECHNISCHE DATEN / ESPECIFICACIONES TÉCNICAS / SPÉCIFICATIONS TECHNIQUES / SPECYFIKACJA TECHNICZNA

Number of keys : 61
Display : LCD
Power Supply : 100-240VAC 50/60Hz (9V Adapter)
Weight : 8,40 kg
Dimensions : 945 x 315 x 105mm (stand 610 x 350 x 100mm)

The specifications are typical. The actual values can slightly change from one unit to the other. Specifications can be changed without prior notice.

The products referred to in this manual conform to the European Community Directives to which they are subject:

European Union

Tronios B.V.,
Bedrijvenpark Twente Noord 18,
7602KR Almelo, The Netherlands

2014/35/EU

2014/30/EU

2011/65/EC



United Kingdom

Tronios Ltd.,
130 Harley Street,
London W1G 7JU, United Kingdom

S.I. 2016:1101

S.I. 2016:1091

S.I. 2012:3032



Specifications and design are subject to change without prior notice.

www.tronios.com

Copyright © 2024 by Tronios The Netherlands