



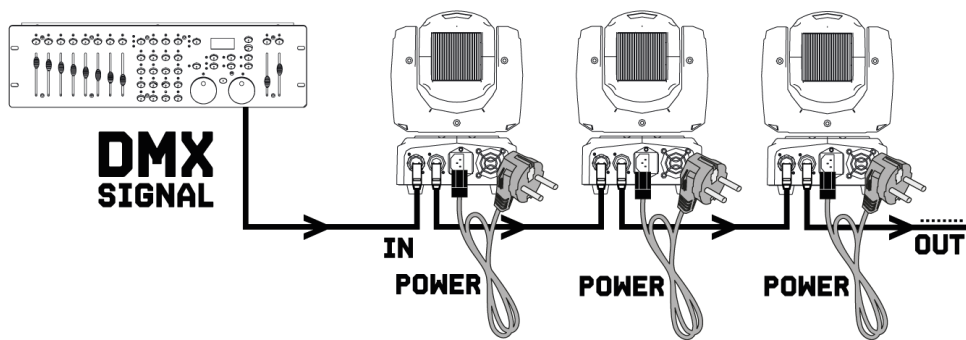
BEAMZ
MADE
EAZY

150.458 V1

PANTHER 15

QUICK START GUIDE

DMX512 CONTROL



CAUTION! At the last unit, you must close the DMX line with a terminating resistor. Take an XLR connector and solder a 120 Ohm resistor between signal (-) and signal (+) and connect it to the DMX output of the last unit in the line.

16 BIT	8 BIT	FUNCTION	VALUE	DESCRIPTION
1	1	Pan	000-255	Movement 0°-540°
2		Pan fine	000-255	
3	2	Tilt	000-255	Movement 0°-270°
4		Tilt fine	000-255	
5	3	Pan / Tilt speed	000-255	Pan / Tilt speed
6	4	Master dimmer	000-255	Dimming 0-100%
7	5	Strobe	000-255	Strobe speed
8	6	Colour	000-255	Red, Intensity 0-100%
9	7		000-255	Green, Intensity 0-100%
10	8		000-255	Blue, Intensity 0-100%
11	9		000-255	White, Intensity 0-100%
12	10	Pan/ Tilt Mode	000-015	No function
			016-044	Automatic program 3
			045-074	Automatic program 2
			075-104	Automatic program 1
			105-128	Automatic program 0
			129-157	Sound program 3
			158-187	Sound program 2
			188-217	Sound program 1
		218-255	Sound program 0	
13	11	Mode speed	000-255	Pan / Tilt, automatic or sound program speed
14	12	LED Mode	000	No function
			001-007	Gradual Change
			008-039	LED Automatic program 1
			040-072	LED Automatic program 2
			073-105	LED Automatic program 3
			106-138	LED Automatic program 4
			139-140	LED Automatic program 5
			141-167	LED Sound program 1
			168-195	LED Sound program 2
			196-223	LED Sound program 3
		224-251	LED Sound program 4	
		252-255	LED Sound program 5	
15	13	Mode Speed	000-255	LED, automatic or sound program speed
16	14	Reset	000-0249	No function
			250-255	Reset after 5 seconds

REMOTE CONTROL

STAND BY - Press this button to activate the moving head.

FULL ON - Press this button to switch on the LED illumination.

COLOR - Press this button and choose your colour with the buttons "R", "G", "B", "W".

SOUND - Press this button to active the sound to light mode.

AUTO - Press this button to active the automatic program mode.

"+" OR "-" - Press this button to adjust the strobe speed or the X or Y position.

RED - Press "R" button to turn on the red LED. Press again to turn off the red LED.

GREEN - Press "G" button to turn on the green LED. Press again to turn off the green LED.

BLUE - Press "B" button to turn on the blue LED. Press again to turn off the blue LED.

WHITE - Press "W" button to turn on the white LED. Press again to turn off the white LED.

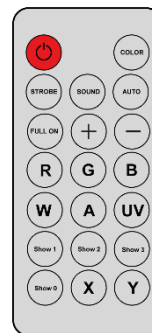
SHOW 1 - Press this button to active the pre program lightshow mode.

SHOW 2 - Press this button to active the pre program lightshow mode.

SHOW 3 - Press this button to active the pre program lightshow mode.

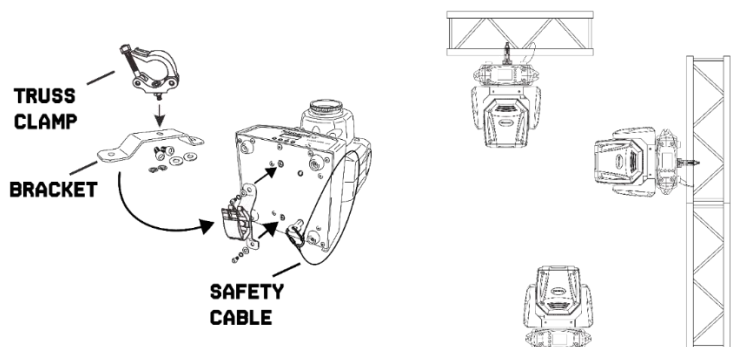
SHOW 0 - Press this button to active the pre program lightshow mode.

"X" OR "Y" - Press "X" or "Y" to turn the pan or tilt 128degrees.



CONTROL MENU

MENU		DESCRIPTION
Addr	A001-A512	DMX address setting
CHnd	14CH	DMX Channel mode
	16CH	
SLnd	Auto	Master automatic mode
	Soun	Master sound active mode
	SL1	DMX512 Mode
	SL2	Slave mode
SHnd	Sh0	Reverse Pan
	Sh1	Effect 1
	Sh2	Effect 2
	Sh3	Effect 3
SEnS	0-100	Sound sensitive ajustment
bLAnd	bLAc	No DMX signal, signal to zero
	Auto	No DMX signal, Automatic program
	Soun	No DMX signal, Sound active program
	HoLd	No DMX signal, keep last DMX setting
Led	OFF	Display off after 5 seconds
	ON	Display always on
dISP	NO	Display inverse
	YES	
rPAN	NO	PAN inverse
	YES	
rTiL	NO	Tilt inverse
	YES	
REST		System reset





BEAMZ

YOUR FUTURE
YOUR SKILLS
YOUR PLATFORM
YOUR PARTY
YOUR EVENT



is a leading developer of lighting products, including intelligent DMX moving heads, wireless battery operated DMX effects, static washes, sound-activated club effects, strobes & blacklights, LED lighting, fog and special effects machines, lasers and indoor and outdoor architectural lighting, as well as lighting controllers and protective bags.

