



BEAMZ
MADE
EAZY

150.629 V1

COB30WW

QUICK START GUIDE

INDEX

REMOTE CONTROLLER

BLACK OUT Mode

Press <BLACK OUT> off existing modes. Press <BLACK OUT> return the last modes.

AUTO Mode

Automatic mode will enable you to run the automatic programs on the product.

To turn on Automatic mode:

1. Press <AUTO> on the remote controller.
2. Press <+> or <-> to choose between the different auto programs.

SOUND Mode

Sound-Active mode will enable the product to respond to the music.

To turn on Sound-Active mode:

1. Press <SOUND> on the remote controller.
2. Press <+> or <-> to choose between the different sound programs.

STROBE Mode

To adjust the strobe speed of the automatic program and the sound active program.

1. Press <STROBE> on the remote controller.
2. Press <+> or <-> to either increase or decrease the speed of the program.
3. Press <STROBE> again to turn off the strobe.

SPEED Mode

To adjust the speed of the automatic program and the sound active program.

1. Press <SPEED> on the remote controller.
2. Press <+> or <-> to either increase or decrease the speed of the program.

SENSITIVITY Mode

To adjust sound sensitivity for in Sound-Active mode

1. Press <SENSITIVITY> on the remote controller.
2. Press <+> or <-> to either increase or decrease sound sensitivity.

DMX / % Mode

To enable DMX or disallow DMX on the product.

Press <DMX> on the remote controller, the product work on the DMX controlling modes.

MANUAL Mode

1. Press <MANUAL> on the remote controller.
2. Press <W> (white) to choose your colour.
3. Press again <W> (white) close your colour.
4. Press <+> or <-> to either increase or decrease the percentage of each colour.

FADE/UNIT Mode

To adjust the FADE speed of the automatic program, the sound active program and the manual mode.

1. Press <FADE> on the remote controller.
2. Press <FADE> again to turn off the Fade mode.

NUMBER 1~9

To adjust the brightness value of the automatic program, the Sound active program and Manual Mode.

Press digit <1> to <9> to change different brightness on the device.



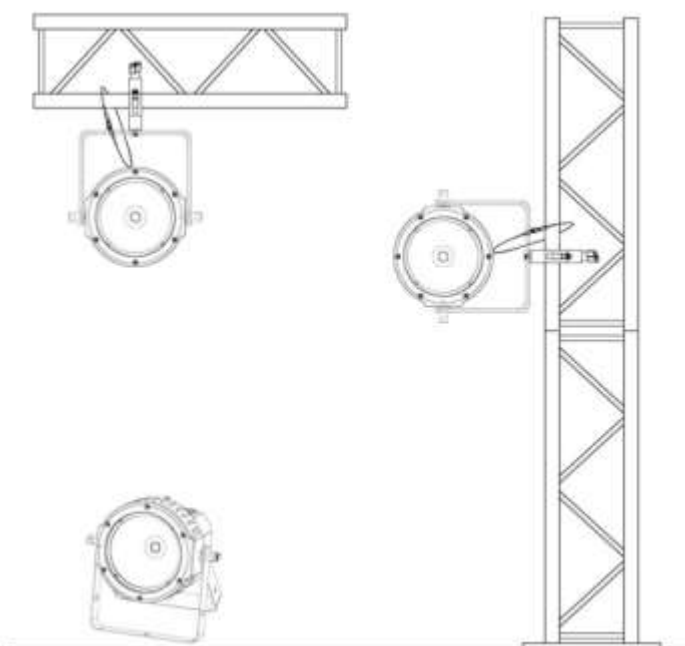
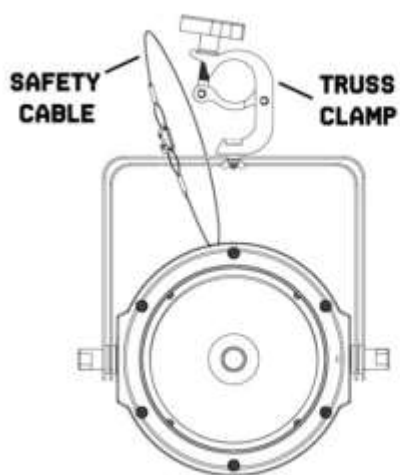
CONTROL MENU

MENU		DESCRIPTION	
DMX MODE	Addr	3 CH	DMX address setting
AUTO	Auto	Au 1-4	Select auto program
SOUND MODE	Soun	So 1-3	Select sound program
SPEED	SPEE	SP 1-9	Select speed for auto or sound program
MIC SENSITIVITY	SEnS	SE 1-9	Sound sensitivity
EDIT COLOUR	Colo	U000-255	Manual control
DIMMING	dIMM	d11-d1 9	Manual dimmer
SILENT SCENE	SILE	on/oFF	Silent scene by Sound program
SLAVE	SLAV	Slave	Slave
INFRARED	InFr	on/oFF	Enable or Disenable IR remote

DMX CHANNELS

3 Channel s

CHANNEL	FUNCTION	VALUE	DESCRIPTION
1	Dimmer	000-255	Master dimming (0-100%)
2	Strobe	000-009	No function
		010-255	Stroboscope (Rate 0-100%)
3	Mode	000-009	No function
		010-039	Auto program1
		040-069	Auto program2 (rate)
		070-099	Auto program3 (rate)
		100-129	Auto program4 (rate)
		130-159	Sound program1 (rate)
		160-189	Sound program2 (rate)
		190-255	Sound program3 (rate)





BEAMZ

YOUR FUTURE
YOUR SKILLS
YOUR PLATFORM
YOUR PARTY
YOUR EVENT



is a leading developer of lighting products, including intelligent DMX moving heads, wireless battery operated DMX effects, static washes, sound-activated club effects, strobes & blacklights, LED lighting, fog and special effects machines, lasers and indoor and outdoor architectural lighting, as well as lighting controllers and protective bags.

