



BEAMZ
MADE
EAZY

151.382 V2.0

BTFS0Z

QUICK START GUIDE

CONTROL MENU

MENU		DESCRIPTION
DMX_ADDR	d001-d512	DMX address setting
CHNL	1CH	Channel mode
	2CH	
	3CH	
	5CH	
STRB	S.01-s.20	Strobe with speed increasing
UL--	u.000 - u.255	Warm white dimmer
CL--	C.000 - C.255	Cold white dimmer
UOL	000 - 255	Rotary control of dimmer
NODE	nod.0	Dimmer speed
	nod.1	
	nod.2	
	nod.3	
	nod.4	
TENP	-25 - 100	Fixture temperature
UEM		Firmware version
RSET	Yes	Reset
	No	
PNNF	1.2-24.0	PWM refresh rate adjustment (KHz)

DMX CHANNELS

1 CHANNELS

CHANNEL	FUNCTION	VALUE	DESCRIPTION
1	Dimmer	000-255	Intensity 0-100%

2 CHANNELS

CHANNEL	FUNCTION	VALUE	DESCRIPTION
1	Dimmer	000-255	Intensity 0-100%
2	Strobe	000-012	No function
		013-255	Strobe, slow to fast

3 CHANNELS

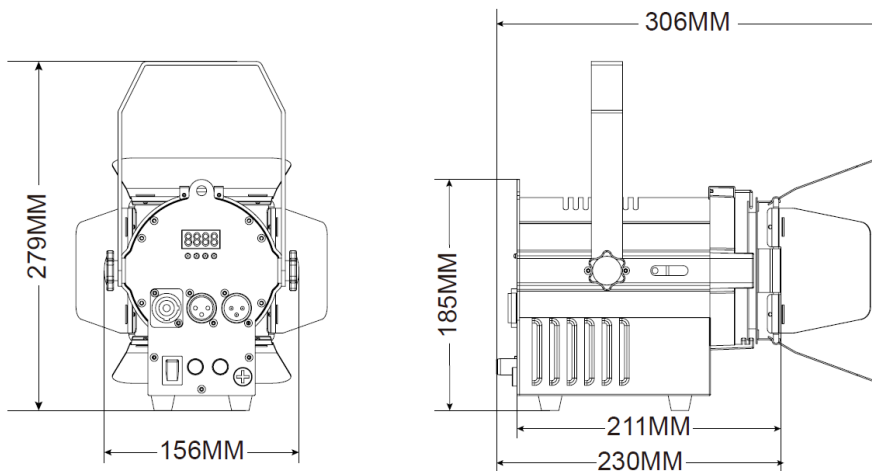
CHANNEL	FUNCTION	VALUE	DESCRIPTION
1	Dimmer	000-255	Intensity 0-100%
2	Warm white	000-255	Intensity 0-100%
3	Cold white	000-255	Intensity 0-100%

5 CHANNELS

CHANNEL	FUNCTION	VALUE	DESCRIPTION
1	Dimmer	000-255	Intensity 0-100%
2	Colour temperature	000-010	No function
		011-255	2700K-6500K Colour temperature
3	Warm white	000-255	Intensity 0-100%
4	Cold white	000-255	Intensity 0-100%
5	Strobe	000-012	No function
		013-255	Strobe, slow to fast

TECHNICAL SPECIFICATIONS

Rated voltage	: 100-240VAC, 50-60Hz, 0.7-0.3A
LED	: 50Watt 2-in-1 (Cool white and Warm white)
Colour temperature	: 2700K – 6500K
Beam angle	: 25°-90°
Illuminance	: 7.230lx
Flash rate	: 1-19Hz
DMX channels	: 1, 2, 3 and 5 via 3-pin XLR
Dimensions per unit	: 230 x 156 x 279mm
Weight (per unit)	: 2.2 kg



The specifications are typical. The actual values can slightly change from one unit to the other. Specifications can be changed without prior notice. The products referred to in this manual conform to the European Community Directives to which they are subject:

European Union

Tronios B.V.,
Bedrijvenpark Twente Noord 18,
7602KR Almelo, The Netherlands

2014/35/EU
2014/30/EU
2011/65/EC



United Kingdom

Tronios Ltd.,
130 Harley Street,
London W1G 7JU, United Kingdom

S.I. 2016:1101
S.I. 2016:1091
S.I. 2012:3032





BEAMZ

**YOUR FUTURE
YOUR SKILLS
YOUR PLATFORM
YOUR PARTY
YOUR EVENT**



offers a wide range of high performance lighting equipment and related accessories for the rental, entertainment and architectural lighting markets. BeamZ Pro stands for performance, innovation and value pricing!

