



BEAMZ
MADE
EAZY

V 2.1
152.575

BRUTE 12000FB4
USER MANUAL



BEAMZ

MADE

EAZY

INDEX

ENGLISH

PARTS OVERVIEW	4
INSTALLATION DRAWING	5
CONTROLL MENU	7
DMX CHANNELS	9
PRODUCT OPERATION	11
WARNINGS	20

NEDERLANDS

OVERZICHT ONDERDELEN	4
INSTALLATIETEKENING	5
MENUBEDIENING	7
DMX KANALEN	9
PRODUCTOPERATIE	12
WAARSCHUWINGEN	20

DEUTSCH

TEILEÜBERSICHT	4
INSTALLATIONSZEICHNUNG	5
MENÜSTEUERUNG	7
DMX KANÄLE	9
PRODUKTOPERATION	13
WARNUNGEN	20

ESPAÑOL

RESUMEN DE LAS PARTES	4
PLANO DE INSTALACIÓN	5
CONTROL DE MENÚ	7
CANALES DMX	9
OPERACIÓN DE PRODUCTO	14
ADVERTENCIAS	20

FRANÇAIS

APERÇU DES PARTIES	4
PLAN D'INSTALLATION	5
CONTRÔLE DU MENU	7
CANAUX DMX	9
EXPLOITATION DU PRODUIT	15
AVERTISSEMENTS	20

POLSKI

PRZEGLĄD CZĘŚCI	4
RYSUNEK INSTALACYJNY	5
MENU CONTROL	7
DMX KANAŁY	9
PRODUCT OPERATION	16
OSTRZEŻENIE	20

ČEŠTINA

PŘEHLED ČÁSTÍ	4
INSTALAČNÍ VÝKRES	5
MENU CONTROL	7
DMX KANÁLY	9
PRODUKTOVÁ OPERACE	17
VAROVÁNÍ	20

GB

NL

DE

ES

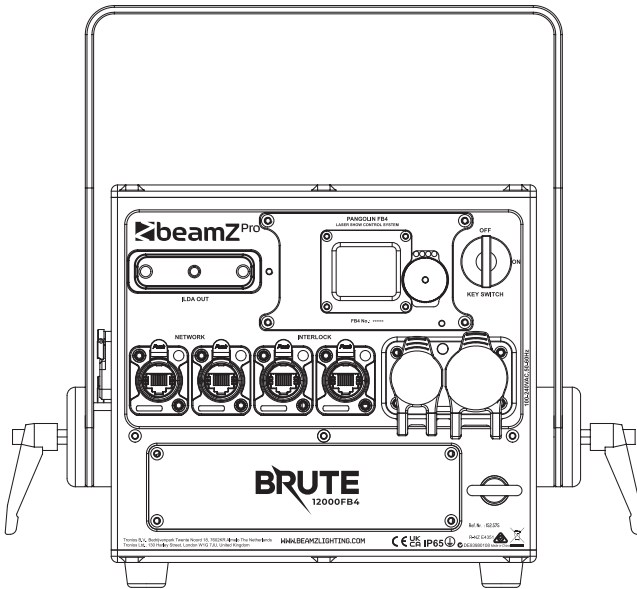
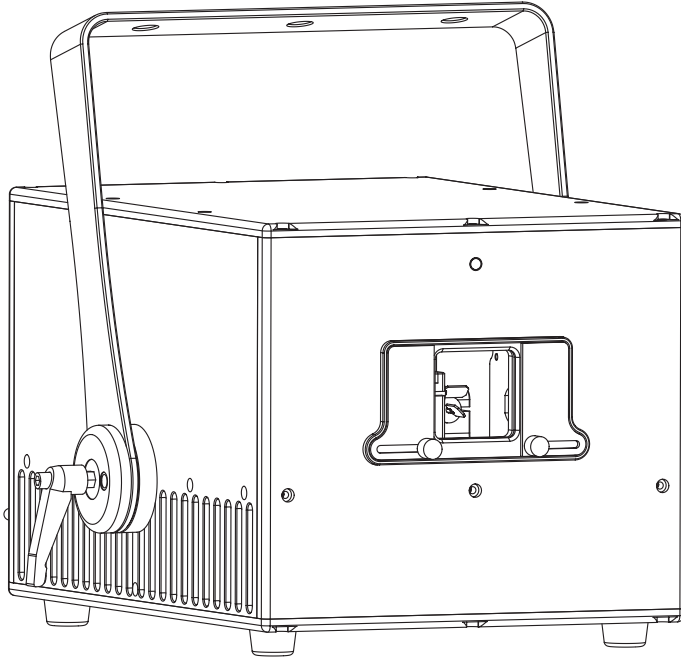
FR

PL

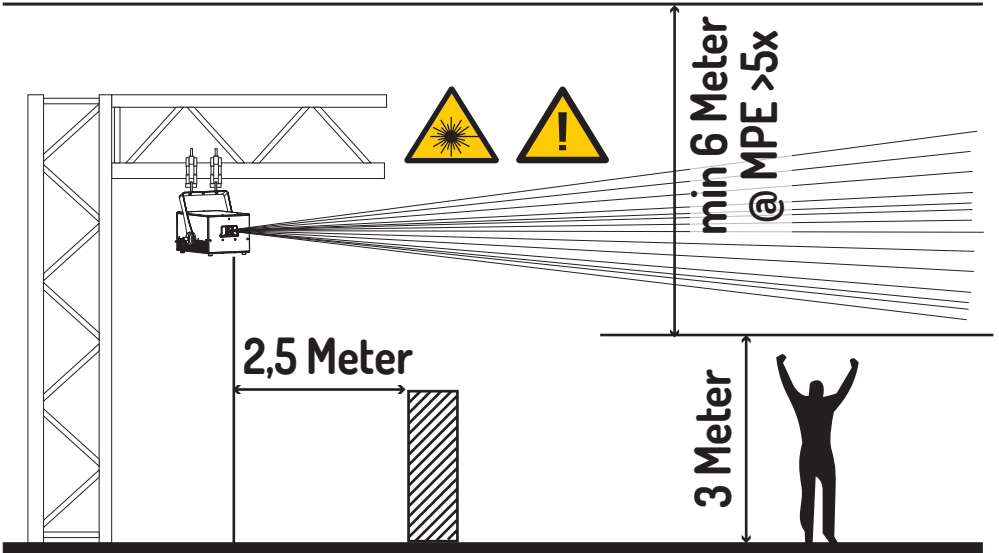
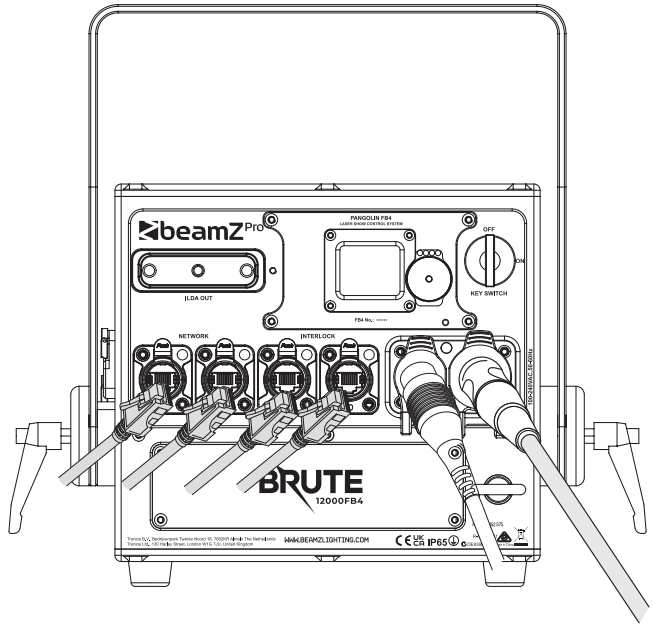
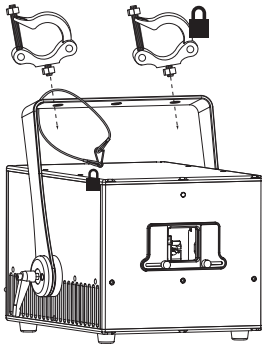
CZ

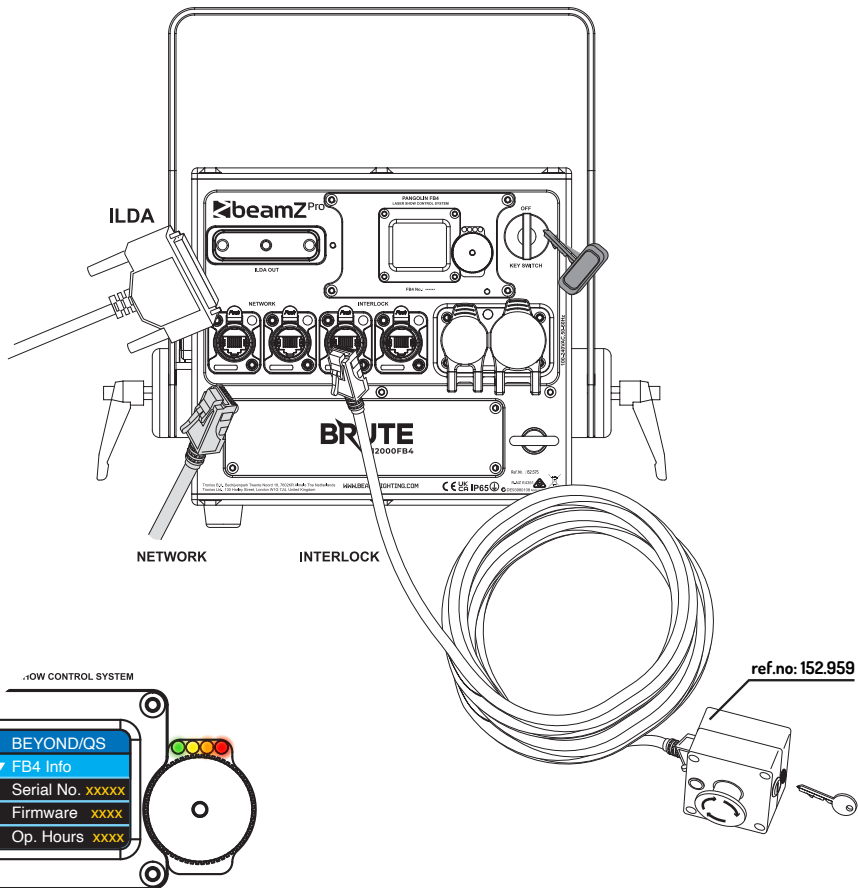


PRODUCT OVERVIEW



INSTALLATION





	LED OFF	LED FLASH	LED FAST FLASH	LED ON
	OFF	SD CARD FAIL		SD CARD OK
	NETWORK	NETWORK IP address	NETWORK IP address	NETWORK BEYOND/QS CONNECTED
	ArtNet	ArtNet Signal OK		
	LASER	LASER & Software CONNECTED		LASER OK
MODE	ATC	ATC Prepare		ATC
	SLAVE MODE	SLAVE MODE		
	ILDA MODE	ILDA CABLE		LASER OK

CONTOL MENU

MENU	Parameter	Value / Option	Description
Operation Mode	Mode	BEYOND/QS	Control via QuickShow / BEYOND over Ethernet
		Artnet	Control via DMX over Ethernet
		Autoplay	Automatic playback from SD card
		Slave Mode	Follow master FB4 in network
		Time Code	Start playback via Artnet timecode
		ILDA Mode	ILDA input control (daughterboard required)
		Test Mode	Run stored test frames
Master Settings	Brightness	0-100%	Max output brightness
	Master Size	0-100%	Overall projection size
	X Scale	-100% – 100%	Horizontal projection scale
	Y Scale	-100% – 100%	Vertical projection scale
	Invert X	On/Off	Invert X axis
	Invert Y	On/Off	Invert Y axis
	Swap XY	On/Off	Swap X and Y axes
	Rescan Time	0-1000	Frame resend threshold (default 500)
Artnet Settings	Universe	000-255	Artnet universe
	Start Address	1-512	DMX start address
	Profile	FB3 / FB4	16ch or 39ch fixture profile
	Timeout	0-10s	Output stop timeout if no Artnet data
DMX Settings	Start Address	001-512	DMX start address
	Profile	FB3 / FB4	16ch or 39ch fixture profile
Time Code Setup	TC Type	ATC	Artnet timecode type
	File Index	1-xxx	Show file to execute
	Offset Hrs	0-23	Start hour offset
	Offset Min	0-59	Start minute offset
	Offset Sec	0-59	Start second offset
	Offset mS	0-999	Start millisecond offset
Test Mode Setup	Enable Laser	On / Off	Enable laser output
	Test Pattern	1-xxx	Select stored test frame
	Brightness	0-100%	Test frame brightness
	Master Size	0-100%	Projection size
Geo Correction	X Scale	-100% – 100%	Horizontal scaling correction
	Y Scale	-100% – 100%	Vertical scaling correction
	X Position	-100% – 100%	Horizontal output position
	Y Position	-100% – 100%	Vertical output position
	Z Rotation	0-360°	Output rotation
	X Shear	-100% – 100%	Horizontal shear correction
	Y Shear	-100% – 100%	Vertical shear correction
Color Settings	Color Shift	0-100%	Color alignment adjustment
	Red	0-100%	Maximum red output
	Green	0-100%	Maximum green output
	Blue	0-100%	Maximum blue output
	Deep Blue	0-100%	Maximum deep blue output
	Yellow	0-100%	Maximum yellow output
	Cyan	0-100%	Maximum cyan output

Scan Guard	Enable Guard	On / Off	Enable scan safety system
	Horizon Level	0-100%	Horizon activation level
	Horizon Angle	0-360°	Horizon angle adjustment
	Min Velocity	0-100%	Minimum beam speed
	Dwell Time	0-1000ms	Max dwell time
	Invert Y	On / Off	Invert guard area
	Network Setup	Auto IP	On / Off
Address 1		000-255	IP address field 1
Address 2		000-255	IP address field 2
Address 3		000-255	IP address field 3
Address 4		000-255	IP address field 4
Mask 1		000-255	Subnet mask field 1
Mask 2		000-255	Subnet mask field 2
Mask 3		000-255	Subnet mask field 3
Mask 4		000-255	Subnet mask field 4
FB4 Device Info	Serial Number	XXXX	FB4 hardware serial number
	Firmware Version	Vx.xx	Installed firmware version
	Build Number	XXXX	Firmware build number
Exit Menu	Exit	Yes	Close menu and save settings

Setup for 39 channel mode

1. Place the FB4 in "Setup mode." Note that there is a two-second delay before Setup mode initializes.
2. Limit the area where the laser may project.
3. Place the FB4 in "Playback mode."

Playback mode allows actual show performance and the use of shape generators.

During Setup mode, channels 14 to 39 ignore DMX/Art-Net changes.
During Playback mode, channels 2 to 13 ignore DMX/Art-Net changes.

DMX CHANNELS

16 CHANNELS

Channel	Function	Value	BIT	Channels description
CH1	DMX Mode	000-031	8 Bit	Blackout
	DMX Mode	033-095	8 Bit	Four channels
	DMX Mode	097-159	8 Bit	Eight channels
	DMX Mode	161-223	8 Bit	Twelve channels
	DMX Mode	225-255	8 Bit	Sixteen channels
CH2	Page Index	000-015	8 Bit	Page 1
	Page Index	017-031	8 Bit	Page 2
	Page Index	033-047	8 Bit	Page 3
	Page Index	049-063	8 Bit	Page 4
	Page Index	065-079	8 Bit	Page 5
	Page Index	081-095	8 Bit	Page 6
	Page Index	097-111	8 Bit	Page 7
	Page Index	113-127	8 Bit	Page 8
	Page Index	129-255	8 Bit	Page 9
CH3	Cue Index	000-032	8 Bit	None active
	Cue Index	033-035	8 Bit	Cue 1
	Cue Index	037-039	8 Bit	Cue 2
	Cue Index	221-223	8 Bit	Cue 48
	Cue Index	225-255	8 Bit	Repeat
CH4	Cue Speed	000-015	8 Bit	Full speed
	Cue Speed	017-031	8 Bit	Pause
	Cue Speed	033-255	8 Bit	25-200% speed
CH5	Dimmer	000-255	8 Bit	0-100%
CH6	Zoom	000-255	8 Bit	0-100%
CH7	Size X	000-255	8 Bit	-100-100%
CH8	Size Y	000-255	8 Bit	-100-100%
CH9	Angle Z	000-255	8 Bit	0-360°
CH10	Position X	000-255	8 Bit	Left-Center-Right
CH11	Position Y	000-255	8 Bit	Top-Center-Bottom
CH12	Visible Points	000-255	8 Bit	0-100% visible
CH13	Scan Rate	000-031	8 Bit	Cue speed
	Scan Rate	033-223	8 Bit	6K-29K
	Scan Rate	225-255	8 Bit	30K
CH14	Cue Release	000-031	8 Bit	Default
	Cue Release	033-095	8 Bit	Hold
	Cue Release	097-159	8 Bit	Loop
	Cue Release	161-223	8 Bit	Next
	Cue Release	225-255	8 Bit	Stop
CH15	Color Scroll	000-031	8 Bit	Original cue color
	Color Scroll	033-223	8 Bit	Color scroll
	Color Scroll	225-255	8 Bit	White
CH16	Reserved	000-255	8 Bit	Reserved

39 CHANNELS

Channel	Function	Value	BIT	Channels description
CH1 *	Fixture Mode	000-239	8 Bit	Blackout / Safe
	Fixture Mode	240-240	8 Bit	Setup mode
	Fixture Mode	251-251	8 Bit	Playback mode
CH2	Max Intensity	000-255	8 Bit	Max playback intensity 0-100%
CH3	Test Frames	000-255	8 Bit	Test frame index
CH4	Size X	000-255	16 Bit	Max width -100-100% (High Byte / MSB)
CH5	Size X (Fine)	000-255		Max width -100-100% (Low Byte / LSB)
CH6	Size Y	000-255	16 Bit	Max height -100-100% (High Byte / MSB)
CH7	Size Y (Fine)	000-255		Max height -100-100% (Low Byte / LSB)
CH8	Position X	000-255	16 Bit	Horizontal position -100-100% (High Byte / MSB)
CH9	Position X (Fine)	000-255		Horizontal position -100-100% (Low Byte / LSB)
CH10	Position Y	000-255	16 Bit	Vertical position -100-100% (High Byte / MSB)
CH11	Position Y (Fine)	000-255		Vertical position -100-100% (Low Byte / LSB)
CH12	Rotation Z	000-255	16 Bit	Rotation 0-360° (High Byte / MSB)
CH13	Rotation Z (Fine)	000-255		Rotation 0-360° (Low Byte / LSB)
CH14	Page Index	000-255	8 Bit	Page 1-255
CH15	Cue Index	000-255	8 Bit	Cue 1-255
CH16 **	Cue Speed	000-255	8 Bit	Speed 1-255%
CH17	Dimmer	000-255	8 Bit	Max brightness 0-100%
CH18	Zoom	000 - 255	16 Bit	Zoom 0 - 100% (High Byte / MSB)
CH19	Zoom (Fine)	000 - 255		Micro-adjustment (Low Byte / LSB)
CH20	X Size	000 - 255	16 Bit	Width -100-100% (High Byte / MSB)
CH21	X Size (Fine)	000 - 255		Width -100-100% (Low Byte / LSB)
CH22	Y Size	000 - 255	16 Bit	Height -100-100% (High Byte / MSB)
CH23	Y Size (Fine)	000 - 255		Height -100-100% (Low Byte / LSB)
CH24	Z Angle	000 - 255	16 Bit	Rotation 0-359° (High Byte / MSB)
CH25	Z Angle (Fine)	000 - 255		Rotation 0-359° (Low Byte / LSB)
CH26	Z Rotation	000 - 255	16 Bit	Continuous rotation ±100% (High Byte / MSB)
CH27	Z Rotation (Fine)	000 - 255		Continuous rotation ±100% (Low Byte / LSB)
CH28	X Position	000 - 255	16 Bit	Horizontal position (High Byte / MSB)
CH29	X Position (Fine)	000 - 255		Horizontal position (Low Byte / LSB)
CH30	Y Position	000 - 255	16 Bit	Vertical position (High Byte / MSB)
CH31	Y Position (Fine)	000 - 255		Vertical position
CH32 ***	Scan Rate	000-255	8 Bit	5K-30K scan speed
CH33	Red Intensity	000-255	8 Bit	0-100%
CH34	Green Intensity	000-255	8 Bit	0-100%
CH35	Blue Intensity	000-255	8 Bit	0-100%
CH36	Alpha	000-255	8 Bit	Color blend 0-100%
CH37	Points Start	000-255	8 Bit	Start point visibility
CH38	Points End	000-255	8 Bit	End point visibility
CH39	Strobe	000-000	8 Bit	Disabled
CH39	Strobe	001-255	8 Bit	1-20Hz strobe

* Set Channel 1 to DMX value 240 for at least 2 seconds to activate Setup mode. Channels 2 to 12 can only be modified when Channel 1 is in Setup mode. During Setup mode, the red light on the FB4 will blink. During Playback mode, the red light will remain continuously on.

** If a BPM-based effect is exported at 100 BPM and you want the cue to run at 128 BPM, set the speed value to 128.

*** Lowering the scan rate can affect the cue speed of the laser.

PRODUCT OVERVIEW / INSTALLATION

LASER INSTALLATION

⚠ This product must be installed, maintained, and serviced only by an authorized and qualified electrician. Improper handling may result in electric shock, fire hazards, equipment damage, or hazardous radiation exposure.

The laser fixture is designed for suspended installation. Mount the unit using the supplied mounting bracket and a suitable mounting clamp. Ensure the installation structure is stable and capable of supporting the weight of the fixture. Install the fixture in a well-ventilated location where ventilation openings are not obstructed and unauthorized persons cannot reach the unit. Ensure the projected beam path does not intersect unintended objects or surfaces. Connect the Ethernet cable for network control (ArtNet / FB4 controller) and the mains power cable. Verify that the mains voltage matches the value indicated on the unit label. Never connect the fixture to a dimmer or adjustable power supply. If the unit has been exposed to large temperature changes during transport or storage, allow it to reach room temperature before switching it on. Switch on the unit and verify communication with the control software. Confirm that the device is recognized before operating the laser output. In the event of abnormal operation or malfunction, switch off the unit immediately and disconnect the power cable.

⚠ Maintain a minimum distance of 0.5 m (20 inches) between the laser fixture and any flammable or heat-sensitive materials (e.g. decorations, fabrics). Install the fixture only in locations where the projected beam path does not intersect with unintended objects or surfaces.

REGULAR SAFETY INSPECTIONS

The installation structure must be designed to support at least 10 times the weight of the unit for a minimum of one hour without deformation. The operator is responsible for ensuring that all safety-critical and mechanical installations are inspected and approved by a qualified technician before first use and after any modifications. Safety-related and mechanical installations must be inspected by a qualified technician at least once per year. Ensure that the area below the installation position remains clear of unauthorized persons during installation, servicing, or maintenance.

CLEANING

Disconnect the unit from the power supply before cleaning. Clean the housing and optical output window periodically to maintain optimal performance. Use a soft lint-free cloth and suitable optical cleaning solution. Do not use aggressive solvents or abrasive materials. Ensure that cooling vents, fans, and heat sinks remain free from dust and dirt. Accumulated dust may reduce cooling efficiency and affect the performance and lifetime of the device.

PERIODIC CHECKS

Check the following periodically. The safety cable is not worn or damaged. All mounting hardware, including clamps and screws, remain tightened and secure. Cooling vents and fans are free from dust or obstruction. The optical output window is clean and free from contamination.

NETWORK CONTROL CONNECTION (ARTNET / FB4)

The laser fixture can be controlled through a network connection using compatible laser control software. Connect an Ethernet cable between the fixture controller (FB4 interface) and the computer or network switch. Switch the unit on and allow the controller to initialize. The controller will automatically obtain an IP address or connect to the configured network. Launch the compatible control software (for example Pangolin QuickShow or Beyond) and verify that the device appears in the software device list. Confirm correct communication between the control software and the laser fixture before operating the system.

REGULATORY NOTICE – UNITED KINGDOM

WARNING! The use and operation of laser display equipment in the United Kingdom must comply with the requirements of the Health and Safety at Work etc. Act 1974 and the Control of Artificial Optical Radiation at Work Regulations 2010. Operation of Class 3B and Class 4 laser products must be carried out by competent persons and appropriate safety measures must be implemented to prevent hazardous exposure.

INTENDED USE

This product is designed for professional laser display applications in indoor environments. Installation and operation must be carried out only by qualified personnel in accordance with this manual and applicable safety regulations.

FB4

First-Time Setup

Connect an Ethernet cable between the network port on the FB4 and your computer. Turn on the FB4. Wait for the FB4 to acquire an IP address. The yellow LED should blink once per second (see the section "Status LEDs" for more details). Launch **Pangolin Laser Show Designer QuickShow** or **Beyond** on your computer. Your computer should now connect to the FB4.

Operating Modes

Beyond / OS

In **Beyond/OS mode**, the FB4 connects to the **Pangolin QuickShow** or **Beyond** software via an Ethernet network. Geometric correction is handled by the control software. The native geometric correction on the FB4 is disabled to avoid conflicts.

ArtNET

In **ArtNET mode**, the FB4 is controlled using an ArtNET signal through the Ethernet port. Content is stored on the built-in SD card, and the FB4 can apply various effects to it. Geometric correction can be applied natively on the FB4.

Autoplay

In **Autoplay mode**, the FB4 can play laser content directly from the SD card without external input. The FB4 can be configured to play single cues or full playlists automatically, either immediately after power-up or at specific times. Geometric correction can be applied natively on the FB4.

Timecode (ATC)

In **Timecode mode**, the FB4 plays content from the SD card synchronized with an external timecode source. The FB4 receives ArtNET timecode through the Ethernet connector. Geometric correction can be applied natively on the FB4.

Slave Mode

In **Slave mode**, the FB4 plays content from the SD card in synchronization with a Master FB4 operating in Autoplay mode. The Ethernet network is used to synchronize multiple FB4 units. Geometric correction can be applied natively on the FB4.

Test Mode

Test mode allows playback of test patterns from the built-in SD card. This mode can be used to test the laser system or adjust the FB4's internal parameters and geometric correction.

User Interface

Control Knob and **OLED Display**: Settings and operating modes can be modified using the control knob in combination with the **OLED display**.

Activating the Display: Press the knob once to activate the display. The bar at the top of the screen shows the current operating mode of the FB4. Rotate the knob to move the white arrow between menu items. Press the knob to select and activate the highlighted menu item. The displayed menu items may vary depending on the selected operating mode and the accessory boards connected to the FB4.

⚠ The SD card is built-in to the device and therefore not removable or replaceable.

INTERLOCK CONNECTION

The laser system must be connected to a remote interlock circuit or emergency stop system where required by local regulations. **The laser must not operate if the interlock circuit is open.**

SCAN FAILURE PROTECTION

This laser projector contains scanning systems. In the event of scanner failure, hazardous static beams may occur. Always ensure scan-fail safety circuits are enabled when projecting into accessible areas. **Audience scanning is prohibited unless the system is specifically designed and configured for audience scanning and complies with applicable laser safety regulations.**

PRODUCTOVERZICHT / INSTALLATIE

LASER INSTALLATIE

⚠ Dit product mag uitsluitend worden geïnstalleerd, onderhouden en gerepareerd door een bevoegde en gekwalificeerde elektricien. Onjuist gebruik kan leiden tot elektrische schokken, brandgevaar, schade aan apparatuur of blootstelling aan gevaarlijke straling.

De laserarmatuur is ontworpen voor hangende installatie. Monteer het apparaat met behulp van de meegeleverde montagebeugel en een geschikte montageklem. Zorg ervoor dat de installatieconstructie stabiel is en het gewicht van de armatuur kan dragen. Installeer de armatuur in een goed geventileerde ruimte waar ventilatieopeningen niet worden geblokkeerd en onbevoegde personen het apparaat niet kunnen bereiken. Zorg ervoor dat het geprojecteerde laserpad geen onbedoelde objecten of oppervlakken raakt. Sluit de Ethernetkabel voor netwerkbesturing (ArtNet / FB4-controller) en de netvoedingskabel aan. Controleer of de netspanning overeenkomt met de waarde op het typeplaatje van het apparaat. Sluit het apparaat nooit aan op een dimmer of regelbare voeding. Indien het apparaat tijdens transport of opslag aan grote temperatuurschommelingen is blootgesteld, laat het eerst op kamertemperatuur komen voordat u het inschakelt. Schakel het apparaat in en controleer de communicatie met de besturingssoftware. Controleer of het apparaat correct wordt herkend voordat de laseroutput wordt geactiveerd. Schakel het apparaat bij abnormale werking of storing onmiddellijk uit en koppel de voedingskabel los.

⚠ Houd een minimale afstand van 0,5 m (20 inch) tussen de laserarmatuur en brandbare of hittegevoelige materialen (bijv. decoraties, stoffen). Installeer de armatuur alleen op locaties waar het geprojecteerde laserpad geen onbedoelde objecten of oppervlakken kruist.

REGLMATIGE VEILIGHEIDSINSPICIES

De installatieconstructie moet zodanig ontworpen zijn dat deze minimaal 10 keer het gewicht van het apparaat gedurende ten minste één uur zonder vervorming kan dragen. De gebruiker is verantwoordelijk voor het laten controleren en goedkeuren van alle veiligheidskritische en mechanische installaties door een gekwalificeerde technicus vóór het eerste gebruik en na eventuele wijzigingen. Veiligheidsgerelateerde en mechanische installaties moeten minimaal eenmaal per jaar worden geïnspecteerd door een gekwalificeerde technicus. Zorg ervoor dat het gebied onder de installatieplaats vrij blijft van onbevoegde personen tijdens installatie, service of onderhoud.

REINIGING

Koppel het apparaat los van de stroomvoorziening voordat u het reinigt. Reinig de behuizing en het optische uitgangsvenster regelmatig om optimale prestaties te behouden. Gebruik een zachte pluivrijze doek en een geschikte optische reinigingsvloeistof. Gebruik geen agressieve oplosmiddelen of schurende materialen. Zorg ervoor dat ventilatieopeningen, ventilatoren en koellichamen vrij blijven van stof en vuil. Ophoping van stof kan de koeling verminderen en de prestaties en levensduur van het apparaat beïnvloeden.

PERIODIEKE CONTROLES

Controleer regelmatig het volgende: De veiligheidskabel is niet versleten of beschadigd. Alle montagehardware, inclusief klemmen en schroeven, is stevig bevestigd. Ventilatieopeningen en ventilatoren zijn vrij van stof of blokkades. Het optische uitgangsvenster is schoon en vrij van vervuiling.

NETWERKVERBINDING (ARTNET / FB4)

De laserarmatuur kan via een netwerkverbinding worden bestuurd met compatibele lasersoftware. Verbind een Ethernetkabel tussen de controller van de armatuur (FB4-interface) en de computer of netwerkswitch. Schakel het apparaat in en laat de controller initialiseren. De controller verkrijgt automatisch een IP-adres of maakt verbinding met het geconfigureerde netwerk. Start de compatibele besturingssoftware (bijvoorbeeld Pangolin QuickShow of Beyond) en controleer of het apparaat in de apparatenlijst verschijnt. Controleer de correcte communicatie tussen software en laserarmatuur voordat het systeem wordt gebruikt.

REGLGEVINGSKENNISGEVING - NEDERLAND / BELGIË / LUXEMBURG

LET OPI! Het gebruik van dit laserapparaat moet voldoen aan de eisen van de Europese norm EN 60825-1 (Veiligheid van laserproducten) en de nationale arbeidsveiligheidswetgeving, waaronder de Arbeidsomstandighedenwet (Nederland) en de Codex over het welzijn op het werk (België). Het gebruik van klasse 3B- en klasse 4-lasers is uitsluitend toegestaan wanneer passende veiligheidsmaatregelen worden getroffen om blootstelling boven de toegestane limieten te voorkomen.

BEOOGD GEBRUIK

Dit product is ontworpen voor professionele laserprojectietoepassingen binnenhuis. Installatie en bediening mogen uitsluitend worden uitgevoerd

door gekwalificeerd personeel volgens deze handleiding en de geldende veiligheidsvoorschriften.

FB4

Eerste installatie

Sluit een Ethernetkabel aan tussen de netwerkpoot van de FB4 en uw computer. Schakel de FB4 in. Wacht tot de FB4 een IP-adres heeft verkregen. De gele LED moet eenmaal per seconde knipperen (zie het gedeelte "Status LEDs" voor meer informatie). Start **Pangolin Laser Show Designer QuickShow of Beyond** op uw computer. Uw computer zou nu verbinding moeten maken met de FB4.

Bedrijfsmodi

Beyond / QS

In **Beyond/QS-modus** maakt de FB4 via een Ethernetnetwerk verbinding met de **Pangolin QuickShow- of Beyond-software**. Geometrische correctie wordt door de besturingssoftware uitgevoerd. De interne geometrische correctie van de FB4 wordt uitgeschakeld om conflicten te voorkomen.

ArtNET

In **ArtNET-modus** wordt de FB4 bestuurd via een ArtNET-sigitaal via de Ethernetpoort. De content wordt opgeslagen op de ingebouwde SD-kaart en de FB4 kan hier verschillende effecten op toepassen. Geometrische correctie kan in deze modus direct op de FB4 worden toegepast.

Autoplay

In **Autoplay-modus** kan de FB4 lasercontent rechtstreeks vanaf de SD-kaart afspelen zonder externe input. De FB4 kan worden geconfigureerd om automatisch afzonderlijke cues of volledige afspelijstjes af te spelen, direct na het inschakelen of vooraf ingestelde tijden. Geometrische correctie kan in deze modus direct op de FB4 worden toegepast.

Timecode (ATC)

In **Timecode-modus** speelt de FB4 content van de SD-kaart af gesynchroniseerd met een externe timecodebron. De FB4 ontvangt ArtNET-timecode via de Ethernetconnector. Geometrische correctie kan in deze modus direct op de FB4 worden toegepast.

Slave Mode

In **Slave-modus** speelt de FB4 content van de SD-kaart af in synchronisatie met een Master-FB4 die in Autoplay-modus werkt. Het Ethernetnetwerk wordt gebruikt om meerdere FB4-units te synchroniseren. Geometrische correctie kan in deze modus direct op de FB4 worden toegepast.

Test Mode

Testmodus maakt het mogelijk om testpatronen vanaf de ingebouwde SD-kaart af te spelen. Deze modus kan worden gebruikt om het lasersysteem te testen of om interne parameters en geometrische correctie van de FB4 aan te passen.

User Interface

Bedieningsknop en OLED-display: Instellingen en bedrijfsmodi kunnen worden gewijzigd met behulp van de bedieningsknop in combinatie met het **OLED-display**. **Display activeren:** Druk eenmaal op de knop om het display te activeren. De balk bovenaan het scherm toont de huidige bedrijfsmodus van de FB4. Draai aan de knop om de witte pijl tussen de menu-items te verplaatsen. Druk op de knop om het geselecteerde menu-item te activeren. De weergegeven menu-items kunnen variëren afhankelijk van de gekozen bedrijfsmodus en de aangesloten uitbreidingskaarten op de FB4.

⚠ De SD-kaart is ingebouwd in het apparaat en kan daarom niet worden verwijderd of vervangen.

INTERLOCK AANSLUITING

Het lasersysteem moet worden aangesloten op een externe interlockkring of noodstopstelsel wanneer dit door lokale regelgeving wordt vereist. **De laser mag niet functioneren wanneer de interlockkring is onderbroken.**

SCANSTORINGSBEVEILIGING

Deze laserprojector bevat scannersystemen. In het geval van een scannerstoring kunnen gevaarlijke statische laserstralen ontstaan. Zorg er altijd voor dat de scan-fail veiligheidscircuits zijn ingeschakeld wanneer er wordt geprojecteerd in toegankelijke gebieden.

Publieksscanning is verboden tenzij het systeem specifiek is ontworpen en geconfigureerd voor publieksscanning en voldoet aan de geldende laserveiligheidsvoorschriften.

PRODUKTÜBERSICHT/ INSTALLATION

LASER INSTALLATION

⚠ **Dieses Produkt darf nur von einem autorisierten und qualifizierten Elektriker installiert, gewartet und repariert werden. Unsachgemäße Handhabung kann zu Stromschlägen, Brandgefahr, Geräteschäden oder gefährlicher Strahlenexposition führen.**

Das Lasergerät ist für die hängende Installation vorgesehen. Montieren Sie das Gerät mit dem mitgelieferten Montagebügel und einer geeigneten Montageklemme. Stellen Sie sicher, dass die Installationsstruktur stabil ist und das Gewicht des Geräts tragen kann. Installieren Sie das Gerät an einem gut belüfteten Ort, an dem Lüftungsöffnungen nicht blockiert werden und unbefugte Personen keinen Zugang haben. Stellen Sie sicher, dass der projizierte Strahlweg keine unbeabsichtigten Objekte oder Oberflächen trifft. Schließen Sie das Ethernetkabel für die Netzwerksteuerung (ArtNET / FB4-Controller) sowie das Netzkabel an. Vergewissern Sie sich, dass die Netzspannung mit dem auf dem Gerät angegebenen Wert übereinstimmt. Schließen Sie das Gerät niemals an einen Dimmer oder eine regelbare Stromversorgung an. Wenn das Gerät während Transport oder Lagerung großen Temperaturschwankungen ausgesetzt war, lassen Sie es vor dem Einschalten zunächst Raumtemperatur erreichen. Schalten Sie das Gerät ein und überprüfen Sie die Kommunikation mit der Steuerungssoftware. Vergewissern Sie sich, dass das Gerät erkannt wird, bevor die Laserprojektion aktiviert wird. Bei abnormalem Betrieb oder Fehlfunktion das Gerät sofort ausschalten und vom Stromnetz trennen.

⚠ **Itten Sie einen Mindestabstand von 0,5 m (20 Zoll) zwischen dem Lasergerät und brennbaren oder hitzeempfindlichen Materialien (z. B. Dekorationen, Stoffe) ein. Installieren Sie das Gerät nur an Orten, an denen der projizierte Strahlweg keine unbeabsichtigten Objekte oder Oberflächen trifft.**

REGELMÄSSIGE SICHERHEITSINSPEKTIONEN

Die Installationsstruktur muss so ausgelegt sein, dass sie mindestens das 10-fache Gewicht des Geräts für mindestens eine Stunde ohne Verformung tragen kann. Der Betreiber ist dafür verantwortlich, dass alle sicherheitsrelevanten und mechanischen Installationen vor der ersten Inbetriebnahme und nach Änderungen von einem qualifizierten Techniker geprüft und freigegeben werden. Sicherheitsrelevante und mechanische Installationen müssen mindestens einmal jährlich von einem qualifizierten Techniker überprüft werden. Stellen Sie sicher, dass sich während Installation, Wartung oder Service keine unbefugten Personen im Bereich unterhalb der Installation aufhalten.

REINIGUNG

Trennen Sie das Gerät vor der Reinigung vom Stromnetz. Reinigen Sie das Gehäuse und das optische Austrittsfenster regelmäßig, um eine optimale Leistung zu gewährleisten. Verwenden Sie ein weiches fusselfreies Tuch und eine geeignete optische Reinigungslösung. Verwenden Sie keine aggressiven Lösungsmittel oder scheuernden Materialien. Stellen Sie sicher, dass Lüftungsöffnungen, Lüfter und Kühlkörper frei von Staub und Schmutz bleiben.

PERIODISCHE KONTROLLEN

Überprüfen Sie regelmäßig; Das Sicherheitsseil ist nicht beschädigt oder verschlissen. Alle Montageelemente, einschließlich Klemmen und Schrauben, sind fest angezogen. Lüftungsöffnungen und Lüfter sind frei von Staub oder Blockierungen. Das optische Austrittsfenster ist sauber und frei von Verschmutzungen.

NETZWERKSTEUERUNG (ARTNET / FB4)

Das Lasergerät kann über eine Netzwerkverbindung mit kompatibler Lasersoftware gesteuert werden. Verbinden Sie ein Ethernetkabel zwischen dem Controller des Geräts (FB4-Interface) und dem Computer oder Netzwerkschalt. Schalten Sie das Gerät ein und lassen Sie den Controller initialisieren. Der Controller erhält automatisch eine IP-Adresse oder verbindet sich mit dem konfigurierten Netzwerk. Starten Sie die kompatible Steuerungssoftware (z. B. Pangolin QuickShow oder Beyond) und überprüfen Sie, ob das Gerät in der Geräteliste erscheint. Vergewissern Sie sich vor dem Betrieb, dass eine korrekte Kommunikation zwischen Software und Lasergerät besteht.

REGULATORISCHER HINWEIS – DEUTSCHLAND / ÖSTERREICH / SCHWEIZ

ACHTUNG! Der Betrieb von Lasergeräten muss den Anforderungen der Norm EN 60825-1 sowie den nationalen Arbeitsschutzvorschriften entsprechen. In Deutschland gelten insbesondere die Unfallverhütungsvorschrift DGUV Vorschrift II „Laserstrahlung“ sowie die OStvV (Verordnung zum Schutz der Beschäftigten vor Gefährdungen durch künstliche optische Strahlung). Der Betrieb von Laserklasse 3B und 4 darf nur durch geschultes Fachpersonal erfolgen.

BESTIMMUNGSGEMÄSSE VERWENDUNG

Dieses Produkt ist für professionelle Laserprojektionsanwendungen in

Innenräumen vorgesehen. Installation und Betrieb dürfen nur durch qualifiziertes Fachpersonal gemäß dieser Anleitung und den geltenden Sicherheitsvorschriften erfolgen.

FB4

Ersteinrichtung

Verbinden Sie ein Ethernetkabel zwischen dem Netzwerkanschluss des FB4 und Ihrem Computer. Schalten Sie den FB4 ein. Warten Sie, bis der FB4 eine IP-Adresse erhalten hat. Die gelbe LED sollte einmal pro Sekunde blinken (siehe Abschnitt „Status LEDs“ für weitere Informationen). Starten Sie **Pangolin Laser Show Designer QuickShow** oder **Beyond** auf Ihrem Computer. Ihr Computer sollte nun eine Verbindung zum FB4 herstellen.

Betriebsmodi

Beyond / OS

Im **Beyond/OS-Modus** verbindet sich der FB4 über ein Ethernetnetzwerk mit dem **Pangolin QuickShow-** oder **Beyond-Software**. Die geometrische Korrektur wird von der Steuerungssoftware übernommen. Die interne geometrische Korrektur des FB4 wird deaktiviert, um Konflikte zu vermeiden.

ArtNET

Im **ArtNET-Modus** wird der FB4 über ein ArtNET-Signal über den Ethernet-Anschluss gesteuert. Die Inhalte werden auf der integrierten SD-Karte gespeichert und der FB4 kann verschiedene Effekte darauf anwenden. Geometrische Korrektur kann direkt auf dem FB4 angewendet werden.

Autoplay

Im **Autoplay-Modus** kann der FB4 Laserinhalte direkt von der SD-Karte ohne externe Cues wiedergeben. Die Inhalte werden auf der SD-Karte als einzelne Cues oder komplette Playlists automatisch abgespielt werden, entweder unmittelbar nach dem Einschalten oder zu bestimmten Zeiten.

Timecode (ATC)

Im **Timecode-Modus** spielt der FB4 Inhalte von der SD-Karte synchron mit einer externen Timecodequelle ab. Der FB4 empfängt ArtNET-Timecode über den Ethernet-Anschluss.

Slave Mode

Im **Slave-Modus** spielt der FB4 Inhalte von der SD-Karte synchron zu einem Master-FB4 ab, der im Autoplay-Modus arbeitet. Das Ethernetnetzwerk wird verwendet, um mehrere FB4-Einheiten zu synchronisieren.

Test Mode

Im **Testmodus** können Testmuster von der integrierten SD-Karte abgespielt werden. Dieser Modus kann verwendet werden, um das Lasersystem zu testen oder interne Parameter und geometrische Korrektur anzupassen.

Benutzeroberfläche

Bedienknopf und **OLED-Display**: Einstellungen und Betriebsmodi können über den Bedienknopf in Kombination mit dem OLED-Display geändert werden. **Display aktivieren**: Drücken Sie einmal auf den Knopf, um das Display zu aktivieren. Die Leiste oben auf dem Bildschirm zeigt den aktuellen Betriebsmodus des FB4 an. Drehen Sie den Knopf, um den weißen Pfeil zwischen den Menüeinträgen zu bewegen. Drücken Sie den Knopf, um den markierten Menüpunkt auszuwählen und zu aktivieren. Die angezeigten Menüeinträge können je nach gewähltem Betriebsmodus und angeschlossenen Erweiterungsplatinen variieren.

⚠ **Die SD-Karte ist fest im Gerät verbaut und kann daher weder entfernt noch ausgetauscht werden.**

INTERLOCK-ANSCHLUSS

Das Lasersystem muss an einen externen Interlock-Kreis oder ein Not-Aus-System angeschlossen werden, sofern dies durch lokale Vorschriften erforderlich ist.

Der Laser darf nicht betrieben werden, wenn der Interlock-Kreis geöffnet ist.

SCAN-FEHLER-SCHUTZ

Dieser Laserprojektor enthält Scannersysteme. Im Falle eines Scannerfehlers können gefährliche statische Laserstrahlen auftreten. Stellen Sie stets sicher, dass die Scan-Fail-Sicherheitserschaltungen aktiviert sind, wenn in zugängliche Bereiche projiziert wird.

Publikumsscanning ist verboten, sofern das System nicht speziell für Publikumsscanning ausgelegt und konfiguriert ist und den geltenden Lasersicherheitsvorschriften entspricht.

DESCRIPCIÓN DEL PRODUCTO / INSTALACIÓN

INSTALACIÓN DEL LÁSER

⚠ Este producto debe ser instalado, mantenido y reparado únicamente por un electricista autorizado y cualificado. Una manipulación incorrecta puede provocar descargas eléctricas, riesgos de incendio, daños en el equipo o exposición a radiación peligrosa.

El equipo láser está diseñado para instalación suspendida. Monte la unidad utilizando el soporte de montaje suministrado y una abrazadera de montaje adecuada. Asegúrese de que la estructura de instalación sea estable y capaz de soportar el peso del equipo. Instale el dispositivo en un lugar bien ventilado donde las aberturas de ventilación no estén obstruidas y donde personas no autorizadas no puedan acceder al equipo. Asegúrese de que la trayectoria del haz proyectado no interseccione objetos o superficies no deseadas. Conecte el cable Ethernet para el control de red (ArtNet / controlador FB4) y el cable de alimentación. Verifique que el voltaje de red coincide con el valor indicado en la etiqueta del equipo. Nunca conecte el equipo a un dimmer o fuente de alimentación regulable. Si la unidad ha estado expuesta a cambios importantes de temperatura durante el transporte o almacenamiento, deje que alcance la temperatura ambiente antes de encenderla. Encienda la unidad y verifique la comunicación con el software de control. Confirme que el dispositivo es reconocido antes de activar la salida láser. En caso de funcionamiento anormal o fallo, apague inmediatamente la unidad y desconecte el cable de alimentación.

⚠ Mantenga una distancia mínima de 0,5 m (20 pulgadas) entre el equipo láser y cualquier material inflamable o sensible al calor (por ejemplo, decoraciones o tejidos). Instale el equipo únicamente en lugares donde la trayectoria del haz proyectado no interseccione objetos o superficies no deseadas.

INSPECCIONES DE SEGURIDAD PERIÓDICAS

La estructura de instalación debe estar diseñada para soportar al menos 10 veces el peso del equipo durante un mínimo de una hora sin deformaciones. El operador es responsable de garantizar que todas las instalaciones mecánicas y relacionadas con la seguridad sean inspeccionadas y aprobadas por un técnico cualificado antes del primer uso y después de cualquier modificación. Las instalaciones relacionadas con la seguridad y la mecánica deben ser inspeccionadas por un técnico cualificado al menos una vez al año. Asegúrese de que el área situada debajo del punto de instalación permanezca libre de personas no autorizadas durante la instalación, mantenimiento o reparación.

LIMPIEZA

Desconecte la unidad de la alimentación antes de realizar la limpieza. Limpie periódicamente la carcasa y la ventana óptica de salida para mantener un rendimiento óptimo. Utilice un paño suave que no deje pelusa y una solución de limpieza óptica adecuada. No utilice disolventes agresivos ni materiales abrasivos. Asegúrese de que las aberturas de ventilación, ventiladores y disipadores de calor permanezcan libres de polvo y suciedad. La acumulación de polvo puede reducir la eficiencia de refrigeración y afectar al rendimiento y la vida útil del equipo.

COMPROBACIONES PERIÓDICAS

Compruebe periódicamente lo siguiente: El cable de seguridad no está desgastado ni dañado. Todos los elementos de montaje, incluidas abrazaderas y tornillos, permanecen firmemente sujetos. Las aberturas de ventilación y los ventiladores están libres de polvo u obstrucciones. La ventana óptica de salida está limpia y libre de contaminación.

CONEXIÓN DE CONTROL DE RED (ARTNET / FB4)

El equipo láser puede controlarse mediante una conexión de red utilizando software de control láser compatible. Conecte un cable Ethernet entre el controlador del equipo (interfaz FB4) y el ordenador o un conmutador de red. Encienda la unidad y permita que el controlador se inicialice. El controlador obtendrá automáticamente una dirección IP o se conectará a la red configurada. Inicie el software de control compatible (por ejemplo Pangolin QuickShow o Beyond) y verifique que el dispositivo aparece en la lista de dispositivos del software. Confirme la comunicación correcta entre el software de control y el equipo láser antes de operar el sistema.

AVISO REGLAMENTARIO – ESPAÑA

¡ATENCIÓN! El uso de equipos láser debe cumplir con la norma EN 60825-1 relativa a la seguridad de los productos láser y con la legislación nacional aplicable en materia de seguridad laboral y radiaciones ópticas artificiales. Los láseres de clase 3B y 4 deben ser operados únicamente por personal cualificado y con las medidas de seguridad adecuadas para evitar exposiciones peligrosas.

USO PREVISTO

Este producto está diseñado para aplicaciones profesionales de proyección láser en interiores. La instalación y el funcionamiento deben

ser realizados únicamente por personal cualificado de acuerdo con este manual y las normativas de seguridad aplicables.

FB4

Configuración inicial

Conecte un cable Ethernet entre el puerto de red del FB4 y su ordenador. Encienda el FB4. Espere a que el FB4 obtenga una dirección IP. El LED amarillo debería parpadear una vez por segundo (consulte la sección "Status LEDs" para más detalles). Inicie **Pangolin Laser Show Designer QuickShow** o **Beyond** en su ordenador. Su ordenador debería conectarse ahora al FB4.

Modos de funcionamiento

Beyond / QS

En el modo **Beyond/QS**, el FB4 se conecta al software **Pangolin QuickShow** o **Beyond** a través de una red Ethernet. La corrección geométrica es gestionada por el software de control. La corrección geométrica interna del FB4 se desactiva para evitar conflictos.

ArtNET

En el modo **ArtNET**, el FB4 se controla mediante una señal ArtNET a través del puerto Ethernet. El contenido se almacena en la tarjeta SD integrada y el FB4 puede aplicar varios efectos. La corrección geométrica puede aplicarse de forma nativa en el FB4.

Autoplay

En el modo **Autoplay**, el FB4 puede reproducir contenido láser directamente desde la tarjeta SD sin entrada externa. El FB4 puede configurarse para reproducir cues individuales o listas completas automáticamente, ya sea inmediatamente después del encendido o en momentos específicos. La corrección geométrica puede aplicarse de forma nativa en el FB4.

Timecode (ATC)

En el modo **Timecode**, el FB4 reproduce contenido desde la tarjeta SD sincronizado con una fuente externa de timecode. El FB4 recibe timecode ArtNET a través del conector Ethernet. La corrección geométrica puede aplicarse de forma nativa en el FB4.

Slave Mode

En el modo **Slave**, el FB4 reproduce contenido desde la tarjeta SD sincronizado con un FB4 maestro que funciona en modo Autoplay. La red Ethernet se utiliza para sincronizar múltiples unidades FB4. La corrección geométrica puede aplicarse de forma nativa en el FB4.

Test Mode

El modo **Test** permite reproducir patrones de prueba desde la tarjeta SD integrada. Este modo puede utilizarse para probar el sistema láser o ajustar los parámetros internos del FB4 y la corrección geométrica.

Interfaz de usuario

Perilla de control y pantalla OLED: Los ajustes y modos de funcionamiento pueden modificarse utilizando la perilla de control junto con la pantalla OLED. **Activación de la pantalla:** Pulse la perilla una vez para activar la pantalla. La barra en la parte superior de la pantalla muestra el modo de funcionamiento actual del FB4. Gire la perilla para mover la flecha blanca entre los elementos del menú. Pulse la perilla para seleccionar y activar el elemento resaltado. Los elementos del menú mostrados pueden variar dependiendo del modo de funcionamiento seleccionado y de las placas accesorias conectadas al FB4.

⚠ La tarjeta SD está integrada en el dispositivo y, por lo tanto, no se puede extraer ni reemplazar.

CONEXIÓN DE INTERLOCK

El sistema láser debe conectarse a un circuito de interbloqueo remoto o a un sistema de parada de emergencia cuando lo exijan las normativas locales.

El láser no debe funcionar si el circuito de interbloqueo está abierto.

PROTECCIÓN CONTRA FALLO DE ESCÁNER

Este proyector láser contiene sistemas de escaneo. En caso de fallo del escáner, pueden producirse haces estáticos peligrosos. Asegúrese siempre de que los circuitos de seguridad de fallo de escaneo estén activados cuando se proyecte en áreas accesibles.

El escaneo sobre el público está prohibido a menos que el sistema esté específicamente diseñado y configurado para el escaneo del público y cumpla con las normativas de seguridad láser aplicables.

DESCRIPTION DU PRODUIT / INSTALLATION

INSTALLATION DU LASER

⚠ Ce produit doit être installé, entretenu et réparé uniquement par un électricien autorisé et qualifié. Une mauvaise manipulation peut entraîner un choc électrique, un risque d'incendie, des dommages matériels ou une exposition à un rayonnement dangereux.

Le projecteur laser est conçu pour une installation suspendue. Montez l'appareil à l'aide de l'étrier de montage fourni et d'un collier de fixation approprié. Assurez-vous que la trajectoire d'installation est stable et capable de supporter le poids de l'appareil. Installez l'appareil dans un endroit bien ventilé où les ouvertures de ventilation ne sont pas obstruées et où les personnes non autorisées ne peuvent pas accéder à l'équipement. Assurez-vous que la trajectoire du faisceau projeté ne croise aucun objet ou surface non souhaité. Connectez le câble Ethernet pour le contrôle réseau (ArtNet / contrôleur FB4) ainsi que le câble d'alimentation secteur. Vérifiez que la tension secteur correspond à la valeur indiquée sur l'étiquette de l'appareil. Ne connectez jamais l'appareil à un variateur ou à une alimentation réglable. Si l'appareil a été exposé à des variations importantes de température pendant le transport ou le stockage, laissez-le atteindre la température ambiante avant de l'allumer. Allumez l'appareil et vérifiez la communication avec le logiciel de contrôle. Confirmez que l'appareil est reconnu avant d'activer la sortie laser. En cas de fonctionnement anormal ou de dysfonctionnement, éteignez immédiatement l'appareil et débranchez le câble d'alimentation. Connectez les câbles DMX (si utilisés) ainsi que le câble d'alimentation secteur. Ouvrez la sortie/buse de fumée.

⚠ Maintenez une distance minimale de 0,5 m (20 pouces) entre l'appareil laser et tout matériau inflammable ou sensible à la chaleur (par exemple décorations ou tissus). Installez l'appareil uniquement dans des endroits où la trajectoire du faisceau projeté ne croise pas d'objets ou de surfaces non souhaités.

INSPECTIONS DE SÉCURITÉ RÉGULIÈRES

La structure d'installation doit être conçue pour supporter au moins 10 fois le poids de l'appareil pendant au minimum une heure sans déformation. L'opérateur est responsable de s'assurer que toutes les installations mécaniques et liées à la sécurité sont inspectées et approuvées par un technicien qualifié avant la première utilisation et après toute modification. Les installations liées à la sécurité et à la mécanique doivent être inspectées par un technicien qualifié au moins une fois par an. Assurez-vous que la zone située sous la position d'installation reste libre de toute personne non autorisée pendant l'installation, l'entretien ou la maintenance.

NETTOYAGE

Débranchez l'appareil de l'alimentation avant de le nettoyer. Nettoyez régulièrement le boîtier et la fenêtre optique de sortie afin de maintenir des performances optimales. Utilisez un chiffon doux non pelucheux et une solution de nettoyage optique appropriée. N'utilisez pas de solvants agressifs ni de matériaux abrasifs. Assurez-vous que les ouvertures de ventilation, les ventilateurs et les dissipateurs thermiques restent propres et exempts de poussière et de saleté.

CONTRÔLES PÉRIODIQUES

Vérifiez régulièrement les points suivants : Le câble de sécurité n'est pas usé ni endommagé. Tous les éléments de fixation, y compris les colliers et vis, sont correctement serrés. Les ouvertures de ventilation et ventilateurs sont libres de poussière ou d'obstruction. La fenêtre optique de sortie est propre et exempte de contamination.

CONNEXION DE CONTRÔLE RÉSEAU (ARTNET / FB4)

Le projecteur laser peut être contrôlé via une connexion réseau à l'aide d'un logiciel de contrôle laser compatible. Connectez un câble Ethernet entre le contrôleur du projecteur (interface FB4) et l'ordinateur ou un ordinateur réseau. Allumez l'appareil et laissez le contrôleur s'initialiser. Le contrôleur obtiendra automatiquement une adresse IP ou se connectera au réseau configuré. Lancez le logiciel de contrôle compatible (par exemple Pangolin QuickShow ou Beyond) et vérifiez que l'appareil apparaît dans la liste des dispositifs du logiciel. Confirmez la bonne communication entre le logiciel de contrôle et le projecteur laser avant d'utiliser le système.

AVIS RÉGLEMENTAIRE - FRANCE / BELGIQUE / SUISSE

ATTENTION! L'utilisation des appareils laser doit être conforme à la norme EN 60825-1 relative à la sécurité des produits laser et aux réglementations nationales applicables. En France, l'utilisation des lasers de spectacle est soumise à la réglementation du Code de la santé publique et aux décisions publiées sur www.legifrance.gouv.fr. L'exploitation des lasers de classe 3B et 4 doit être effectuée uniquement par du personnel qualifié.

UTILISATION PRÉVUE

Ce produit est destiné aux applications professionnelles de projection laser en intérieur. L'installation et l'utilisation doivent être effectuées uniquement par du personnel qualifié conformément à ce manuel et aux réglementations de sécurité applicables.

FB4

Configuration initiale

Connectez un câble Ethernet entre le port réseau du FB4 et votre ordinateur. Allumez le FB4. Attendez que le FB4 obtienne une adresse IP. La LED jaune doit clignoter une fois par seconde (voir la section « Status LEDs » pour plus de détails). Lancez Pangolin Laser Show Designer QuickShow ou Beyond sur votre ordinateur. Votre ordinateur devrait maintenant se connecter au FB4.

Modes de fonctionnement

Beyond / QS

En mode **Beyond/QS**, le FB4 se connecte au logiciel **Pangolin QuickShow** ou **Beyond** via un réseau Ethernet. La correction géométrique est gérée par le logiciel de contrôle. La correction géométrique native du FB4 est désactivée afin d'éviter les conflits.

ArtNET

En mode **ArtNET**, le FB4 est contrôlé via un signal ArtNET par le port Ethernet. Le contenu est stocké sur la carte SD intégrée et le FB4 peut appliquer différents effets. La correction géométrique peut être appliquée directement sur le FB4.

Autoplay

En mode **Autoplay**, le FB4 peut lire du contenu laser directement depuis la carte SD sans entrée externe. Le FB4 peut être configuré pour lire automatiquement des cues individuelles ou des playlists complètes, soit immédiatement après la mise sous tension, soit à des moments définis.

Timecode (ATC)

En mode **Timecode**, le FB4 lit le contenu de la carte SD synchronisé avec une source externe de timecode. Le FB4 reçoit le timecode ArtNET via le connecteur Ethernet.

Slave Mode

En mode **Slave**, le FB4 lit le contenu de la carte SD en synchronisation avec un FB4 maître fonctionnant en mode Autoplay. Le réseau Ethernet est utilisé pour synchroniser plusieurs unités FB4.

Test Mode

Le **mode Test** permet de lire des motifs de test depuis la carte SD intégrée. Ce mode peut être utilisé pour tester le système laser ou ajuster les paramètres internes et la correction géométrique du FB4.

Interface utilisateur

Bouton de contrôle et écran OLED :

Les paramètres et modes de fonctionnement peuvent être modifiés à l'aide du bouton de contrôle en combinaison avec l'écran OLED.

Activation de l'écran : Appuyez une fois sur le bouton pour activer l'écran. La barre en haut de l'écran indique le mode de fonctionnement actuel du FB4. Tournez le bouton pour déplacer la flèche blanche entre les éléments du menu. Appuyez sur le bouton pour sélectionner et activer l'élément surligné. Les éléments du menu affichés peuvent varier en fonction du mode de fonctionnement sélectionné et des cartes d'extension connectées au FB4.

⚠ La carte SD est intégrée à l'appareil et n'est donc ni amovible ni remplaçable.

CONNEXION INTERLOCK

Le système laser doit être connecté à un circuit d'interverrouillage distant ou à un système d'arrêt d'urgence lorsque cela est requis par la réglementation locale.

Le laser ne doit pas fonctionner si le circuit d'interverrouillage est ouvert.

PROTECTION CONTRE LA DÉFAILLANCE DU SCANNER

Ce projecteur laser contient des systèmes de balayage. En cas de défaillance du scanner, des faisceaux statiques dangereux peuvent apparaître.

Assurez-vous toujours que les circuits de sécurité de défaillance de balayage sont activés lors de projections dans des zones accessibles.

Le balayage du public est interdit sauf si le système est spécifiquement conçu et configuré pour le balayage du public et qu'il est conforme aux réglementations de sécurité laser applicables.

OPIS PRODUKTU /INSTALACJA

INSTALACJA LASERA

⚠ Ten produkt może być instalowany, konserwowany i serwisowany wyłącznie przez upoważnionego i wykwalifikowanego elektryka. Niewłaściwa obsługa może spowodować porażenie prądem, ryzyko pożaru, uszkodzenie urządzenia lub narażenie na niebezpieczne promieniowanie.

Urządzenie laserowe jest przeznaczone do instalacji podwieszanej. Zamontuj urządzenie przy użyciu dostarczonego uchwyty montażowego oraz odpowiedniego zacisku montażowego. Upewnij się, że konstrukcja instalacyjna jest stabilna i zdolna do utrzymania ciężaru urządzenia. Zainstaluj urządzenie w dobrze wentylowanym miejscu, gdzie otwory wentylacyjne nie są zablokowane, a osoby nieupoważnione nie mają dostępu do urządzenia. Upewnij się, że trajektoria projektowanej wiązki nie przecina niepożądanych obiektów ani powierzchni. Podłącz kabel Ethernet do sterowania sieciowego (ArtNet / kontroler FB4) oraz przewód zasilający. Sprawdź, czy napięcie zasilania odpowiada wartości podanej na etykiecie urządzenia. Nigdy nie podłączaj urządzenia do ściemniacza ani regulowanego zasilacza. Jeśli urządzenie było narażone na duże zmiany temperatury podczas transportu lub przechowywania, pozwól mu osiągnąć temperaturę pokojową przed włączeniem. Włącz urządzenie i sprawdź komunikację z oprogramowaniem sterującym. Upewnij się, że urządzenie jest rozpoznawane przed uruchomieniem emisji lasera. W przypadku nieprawidłowego działania natychmiast wyłącz urządzenie i odłącz przewód zasilający.

⚠ Zachowaj minimalną odległość 0,5 m (20 cali) między urządzeniem laserowym a materiałami łatwopalnymi lub wrażliwymi na ciepło (np. dekoracje, tkaniny). Instaluj urządzenie wyłącznie w miejscach, gdzie trajektoria wiązki nie przecina niepożądanych obiektów ani powierzchni.

REGULARNE KONTROLE BEZPIECZEŃSTWA

Konstrukcja instalacyjna musi być zaprojektowana tak, aby utrzymać co najmniej 10-krotność masy urządzenia przez minimum jedną godzinę bez odkształceń. Operator jest odpowiedzialny za zapewnienie, że wszystkie instalacje mechaniczne i związane z bezpieczeństwem zostaną sprawdzone i zatwierdzone przez wykwalifikowanego technika przed pierwszym użyciem oraz po każdej modyfikacji. Instalacje mechaniczne i związane z bezpieczeństwem muszą być kontrolowane przez wykwalifikowanego technika co najmniej raz w roku. Upewnij się, że obszar pod miejscem instalacji pozostaje wolny od osób nieupoważnionych podczas instalacji, serwisowania lub konserwacji.

CZYSZCZENIE

Przed czyszczeniem odłącz urządzenie od zasilania. Regularnie czyść obudowę i optyczne okno wyjściowe, aby utrzymać optymalną wydajność. Używaj miękkiej, niestrzępającej się ściereczki oraz odpowiedniego środka do czyszczenia optyki. Nie używaj agresywnych rozpuszczalników ani materiałów ściernych. Upewnij się, że otwory wentylacyjne, wentylatory i radiatory są wolne od kurzu i zanieczyszczeń.

OKRESOWE KONTROLE

Regularnie sprawdzaj: Czy linka bezpieczeństwa nie jest zużyta lub uszkodzona. Czy wszystkie elementy montażowe, w tym zaciski i śruby, są prawidłowo dokręcone. Czy otwory wentylacyjne i wentylatory są wolne od kurzu lub zablokowania. Czy optyczne okno wyjściowe jest czyste i wolne od zanieczyszczeń.

POLĄCZENIE SIECIOWE (ARTNET / FB4)

Urządzenie laserowe może być sterowane poprzez połączenie sieciowe przy użyciu kompatybilnego oprogramowania do sterowania laserami. Podłącz kabel Ethernet między kontrolerem urządzenia (interfejs FB4) a komputerem lub przełącznikiem sieciowym. Włącz urządzenie i poczekaj na inicjalizację kontrolera. Kontroler automatycznie uzyska adres IP lub połączy się ze skonfigurowaną siecią. Uruchom kompatybilne oprogramowanie sterujące (np. Pangolin QuickShow lub Beyond) i sprawdź, czy urządzenie pojawia się na liście urządzeń. Potwierdź poprawną komunikację między oprogramowaniem sterującym a urządzeniem laserowym przed rozpoczęciem pracy systemu.

INFORMACJA REGULACYJNA - POLSKA

UWAGA! Użytkowanie urządzeń laserowych musi być zgodne z normą EN 60825-1 dotyczącą bezpieczeństwa produktów laserowych oraz z krajowymi przepisami dotyczącymi bezpieczeństwa pracy i promieniowania optycznego. Lasery klasy 3B i 4 mogą być obsługiwane wyłącznie przez wykwalifikowany personel z zachowaniem odpowiednich środków bezpieczeństwa.

PRZEZNACZENIE

Produkt jest przeznaczony do profesjonalnych zastosowań projekcji laserowej w pomieszczeniach. Instalacja i obsługa muszą być wykonywane wyłącznie przez wykwalifikowany personel zgodnie z niniejszą instrukcją oraz obowiązującymi przepisami bezpieczeństwa.

FB4

Pierwsza konfiguracja

Podłącz kabel Ethernet między portem sieciowym FB4 a komputerem. Włącz FB4. Poczekaj, aż FB4 uzyska adres IP. Żółta dioda LED powinna migać raz na sekundę (zobacz sekcję „Status LEDs”, aby uzyskać więcej informacji). Uruchom **Pangolin Laser Show Designer QuickShow** lub **Beyond** na komputerze. Komputer powinien teraz połączyć się z FB4.

Tryby pracy

Beyond / QS

W trybie **Beyond/QS** urządzenie FB4 łączy się z oprogramowaniem **Pangolin QuickShow** lub **Beyond** poprzez sieć Ethernet. Korekcja geometryczna jest obsługiwana przez oprogramowanie sterujące. Wbudowana korekcja geometryczna FB4 jest wyłączona, aby uniknąć konfliktów.

ArtNET

W trybie **ArtNET** urządzenie FB4 jest sterowane sygnałem ArtNET przez port Ethernet. Zawartość jest przechowywana na wbudowanej karcie SD, a FB4 może stosować różne efekty. Korekcja geometryczna może być wykonywana bezpośrednio przez FB4.

Autoplay

W trybie **Autoplay** FB4 może odtwarzać treści laserowe bezpośrednio z karty SD bez zewnętrznego sygnału sterującego. FB4 może być skonfigurowana do automatycznego odtwarzania pojedynczych cue lub całych playlist. Natychmiast po włączeniu zasilania lub o określonych godzinach.

Timecode (ATC)

W trybie **Timecode** FB4 odtwarza zawartość z karty SD zsynchronizowaną z zewnętrznym źródłem timecode. FB4 odbiera timecode ArtNET przez łącze Ethernet.

Slave Mode

W trybie **Slave** FB4 odtwarza zawartość z karty SD zsynchronizowaną z urządzeniem FB4 Master działającym w trybie **Autoplay**. Sieć Ethernet służy do synchronizacji wielu jednostek FB4.

Test Mode

Tryb Test umożliwia odtwarzanie wzorców testowych z wbudowanej karty SD. Tryb ten może być używany do testowania systemu laserowego lub regulacji parametrów wewnętrznych FB4 i korekcji geometrycznej.

Interfejs użytkownika

Pokręto sterujące i wyświetlacz OLED: Ustawienia i tryby pracy można zmieniać za pomocą pokręta sterującego w połączeniu z wyświetlaczem OLED.

Aktywacja wyświetlacza: Naciśnij pokręto raz, aby aktywować wyświetlacz. Pasek w górnej części ekranu pokazuje aktualny tryb pracy FB4. Obróć pokręto, aby przesuwać białą strzałkę między elementami menu. Naciśnij pokręto, aby wybrać i aktywować zaznaczoną pozycję menu. Wyświetlane elementy menu mogą się różnić w zależności od wybranego trybu pracy oraz podłączonych modułów rozszerzeń FB4.

⚠ Karta SD jest wbudowana w urządzenie i nie można jej wyjąć ani wymienić.

POLĄCZENIE INTERLOCK

System laserowy musi być podłączony do zewnętrznego obwodu blokady bezpieczeństwa (interlock) lub systemu zatrzymania awaryjnego, jeśli wymagają tego lokalne przepisy. **Laser nie może działać, jeśli obwód interlock jest otwarty.**

OCHRONA PRZED AWARIĄ SKANERA

Ten projektor laserowy zawiera systemy skanowania. W przypadku awarii skanera mogą wystąpić niebezpieczne statyczne wiązki. Zawsze upewnij się, że obwody bezpieczeństwa scan-fail są włączone podczas projekcji w dostępnych obszarach.

Skonowanie publiczności jest zabronione, chyba że system jest specjalnie zaprojektowany i skonfigurowany do skonowania publiczności oraz spełnia obowiązujące przepisy bezpieczeństwa laserowego.

POPIS PRODUKTU / INSTALACE

INSTALACE LASERU

▲ Tento výrobek smí být instalován, udržován a servisován pouze autorizovaným a kvalifikovaným elektrikářem. Nesprávná manipulace může způsobit úraz elektrickým proudem, riziko požáru, poškození zařízení nebo vystavení nebezpečnému záření.

Laserové zařízení je určeno pro zavěšenou instalaci. Namontujte zařízení pomocí dodaného montážního držáku a vhodné montážní svorky. Ujistěte se, že instalační konstrukce je stabilní a schopná unést hmotnost zařízení. Instalujte zařízení na dobře větraném místě, kde nejsou ventilační otvory blokovány a kde k zařízení nemají přístup nepovolané osoby. Ujistěte se, že trajektorie promítaného paprsku neprotíná nechtěné objekty nebo povrchy. Připojte ethernetový kabel pro síťové ovládání (ArtNet / FB4 controller) a napájecí kabel. Ověřte, že napájecí napětí odpovídá hodnotě uvedené na štítku zařízení. Nikdy nepřipojujte zařízení k stmívací ani regulovatelnému zdroji napájení. Pokud bylo zařízení během přepravy nebo skladování vystaveno výrazným teplotním změnám, nechte jej před zapnutím dosáhnout pokojové teploty. Zapněte zařízení a ověřte komunikaci s řídicím softwarem. Před spuštěním laserového výstupu se ujistěte, že je zařízení správně rozpoznáno. V případě neobvyklého provozu nebo poruchy zařízení okamžitě vypnete a odpojte napájecí kabel.

▲ Dodržujte minimální vzdálenost 0,5 m (20 palců) mezi laserovými zařízeními a hořlavými nebo tepelně citlivými materiály (např. dekorace, textilie). Instalujte zařízení pouze na místech, kde trajektorie paprsku neprotíná nechtěné objekty nebo povrchy.

PRÁVIDELNÉ BEZPEČNOSTNÍ KONTROLY

Instalační konstrukce musí být navržena tak, aby po dobu minimálně jedné hodiny unesla alespoň desetinásobek hmotnosti zařízení bez deformace. Provozovatel je odpovědný za to, že všechny bezpečnostní a mechanické instalace budou před prvním použitím a po jakýchkoli úpravách zkontrolovány a schváleny kvalifikovaným technikem. Bezpečnostní a mechanické instalace musí být kontrolovány kvalifikovaným technikem alespoň jednou ročně. Zajistěte, aby prostor pod místem instalace zůstal během instalace, servisu nebo údržby bez nepovolených osob.

ČIŠTĚNÍ

Před čištěním odpojte zařízení od napájení. Pravidelně čistěte kryt a optické výstupní okno, aby byl zachován optimální výkon. Používejte měkký hadřík nepouštějící vlákna a vhodný opticky čistící prostředek. Nepoužívejte agresivní rozpouštědla ani abrazivní materiály. Zajistěte, aby ventilační otvory, ventilátory a chladiče zůstaly bez prachu a nečistot.

PRÁVIDELNÉ KONTROLY

Pravidelně kontrolujte: Bezpečnostní lano není opotřebované nebo poškozené. Veškerý montážní materiál včetně svorek a šroubů je pevně utažen. Ventilační otvory a ventilátory jsou bez prachu a překážek. Optické výstupní okno je čisté a bez znečištění.

SÍŤOVÉ OVLÁDÁNÍ (ARTNET / FB4)

Laserové zařízení lze ovládat prostřednictvím síťového připojení pomocí kompatibilního laserového řídicího softwaru. Připojte ethernetový kabel mezi kontroler zařízení (rozhraní FB4) a počítač nebo síťový přepínač. Zapněte zařízení a nechte kontroler inicializovat. Kontroler automaticky získá IP adresu nebo se připojí ke konfigurované síti. Spusťte kompatibilní řídicí software (například Pangolin QuickShow nebo Beyond) a ověřte, že se zařízení zobrazí v seznamu zařízení. Před spuštěním systému potvrďte správnou komunikaci mezi řídicím softwarem a laserovým zařízením.

REGULAČNÍ UPOZORNĚNÍ – ČESKÁ REPUBLIKA

POZOR! Používání laserových zařízení musí být v souladu s norem EN 60825-1 týkající se bezpečnosti laserových výrobků a s příslušnými národními předpisy o bezpečnosti práce a ochrání před optickým zářením. Lasery třídy 3B a 4 mohou být provozovány pouze kvalifikovaným personálem s odpovídajícími bezpečnostními opatřeními.

URČENÉ POUŽITÍ

Tento výrobek je určen pro profesionální laserové projekční aplikace v interiéru. Instalaci a provoz smí provádět pouze kvalifikovaný personál v souladu s tímto návodem a platnými bezpečnostními předpisy.

FB4

První nastavení

Připojte ethernetový kabel mezi síťový port FB4 a počítač. Zapněte FB4. Počkejte, až FB4 získá IP adresu. Žlutá LED by měla blikat jednou

za sekundu (viz část „Status LEDs“ pro více informací). Spusťte Pangolin Laser Show Designer QuickShow nebo Beyond na počítači. Počítač by se nyní měl připojit k FB4.

Provozní režimy

Beyond / OS

V režimu Beyond/OS se FB4 připojuje k softwaru Pangolin QuickShow nebo Beyond prostřednictvím ethernetové sítě. Geometrická korekce je řízena řídicím softwarem. Vestavná geometrická korekce FB4 je vypnuta, aby se předešlo konfliktům.

ArtNET

V režimu ArtNET je FB4 řízen pomocí signálu ArtNET přes ethernetový port. Obsah je uložen na vestavné SD kartě a FB4 může aplikovat různé efekty. Geometrická korekce může být aplikována přímo na FB4.

Autoplay

V režimu Autoplay může FB4 přehrávat laserový obsah přímo ze SD karty bez externího vstupu. FB4 lze nastavit tak, aby automaticky přehrával jednotlivé cue nebo celé playlisty, buď ihned po zapnutí, nebo v určených časech.

Timecode (ATC)

V režimu Timecode přehrává FB4 obsah ze SD karty synchronizovaný s externím zdrojem časového kódu. FB4 přijímá ArtNET timecode přes ethernetový konektor.

Slave Mode

V režimu Slave přehrává FB4 obsah ze SD karty synchronizovaný s jednotkou Master FB4 pracující v režimu Autoplay. Ethernetová síť slouží k synchronizaci více jednotek FB4.

Test Mode

Režim Test umožňuje přehrávání testovacích obrazců z vestavné SD karty. Tento režim lze použít k testování laserového systému nebo k úpravě interních parametrů FB4 a geometrické korekce.

Uživatelské rozhraní

Ovládací knoflík a OLED displej: Nastavení a provozní režimy lze upravovat pomocí ovládacího knoflíku v kombinaci s OLED displejem. **Aktivace displeje:** Stiskněte knoflík jednou pro aktivaci displeje. Lišta v horní části obrazovky zobrazuje aktuální provozní režim FB4. Otočením knoflíku přesunete bílou šipku mezi položkami menu. Stisknutím knoflíku vyberete a aktivujete zvyrazněnou položku menu. Zobrazené položky menu se mohou lišit v závislosti na zvoleném provozním režimu a připojených rozšiřujících deskách FB4.

▲ SD karta je integrována v zařízení, a proto ji nelze vyjmout ani vyměnit.

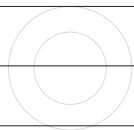
PŘIPOJENÍ INTERLOCK

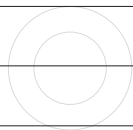
Laserový systém musí být připojen k externímu bezpečnostnímu interlock obvodu nebo k systému nouzového zastavení, pokud to vyžadují místní předpisy.

Laser nesmí být provozován, pokud je interlock obvod otevřený.

OCHRANA PROTI PORUŠĚ SKENERU

Tento laserový projektor obsahuje skenovací systémy. V případě poruchy skeneru mohou vzniknout nebezpečné statické paprsky. Vždy zajištěte, aby byly bezpečnostní obvody scan-fail aktivní při projekci do přístupných oblastí. **Skenování publika je zakázáno, pokud systém není speciálně navržen a nakonfigurován pro skenování publika a neodpovídá platným předpisům pro bezpečnost laseru.**





WARNINGS

ⓑ Safety

Read and understand all instructions before installation or use. Keep this document for future reference. Use the product only as described; incorrect use may cause damage, fire, electric shock, hazardous radiation exposure, or injury. Disconnect power immediately if malfunction occurs. Do not drop or expose the unit to impact. Do not operate the product if any part is damaged—replace it immediately. All work on mains voltage must be performed only by qualified electricians. Ensure adequate ventilation; never cover the fixture during operation. Never look directly into the laser aperture or beam. Avoid exposure of eyes or skin to direct or reflected laser radiation. Install and operate the fixture only in locations where unauthorized persons cannot reach the device or the projected beam path. Keep out of reach of children and animals.

Cleaning & Maintenance

Disconnect the unit from the power supply before cleaning. Do not open or clean internal components. Service work must be carried out only by qualified technicians. Clean external parts and the optical output window with a soft, lint-free cloth only. Do not use solvents, detergents, or abrasive cleaners. Keep ventilation openings, cooling fans, and heat sinks free from dust and obstruction.

Disposal Instructions

Electrical and electronic equipment must not be disposed of with household waste (WEEE Directive). Recycle the complete product at an authorized collection point. The crossed-out bin symbol indicates separate disposal.

Recycle the entire product.

Sustainability Note

To minimise environmental impact, always check whether replaceable components are available before discarding the product.

The manual must be provided if the product is transferred to a third party.

Ⓝ Veiligheid

Lees en begrijp alle instructies voordat u het product installeert of gebruikt. Bewaar dit document voor toekomstige referentie. Gebruik het product alleen zoals beschreven; onjuist gebruik kan schade brand, elektrische schokken, blootstelling aan gevaarlijke laserstraling of letsel veroorzaken. Schakel de stroom onmiddellijk uit als er een storing optreedt. Laat het apparaat niet vallen en sta het niet bloot aan schokken. Gebruik het product niet als een onderdeel beschadigd is—vervang het onmiddellijk. Alle werkzaamheden aan spanning mogen alleen worden uitgevoerd door gekwalificeerde elektriciens. Zorg voor voldoende ventilatie; bedek het apparaat nooit tijdens gebruik. Kijk nooit direct in de laseropening of laserstraal. Vermijd blootstelling van ogen of huid aan directe of gereflecteerde laserstraling. Installeer en gebruik het apparaat alleen op plaatsen waar onbevoegde personen het apparaat of de projectiestraal niet kunnen bereiken. Buiten bereik van kinderen en dieren houden.

Schoonmaak & Onderhoud

Koppel het apparaat los van de stroomvoorziening voordat u het reinigt. Open de ring of de stroom interne componenten. Servicewerkzaamheden mogen uitsluitend worden uitgevoerd door gekwalificeerde technici. Reinig de buitenzijde en het optische uitgangsvensel uitsluitend met een zachte, pluizige doek. Gebruik geen oplosmiddelen, reinigingsmiddelen of schurende middelen. Houd ventilatieopeningen, ventilatoren en koellichamen vrij van stof en obstructies.

Instructies voor het verwijderen

Elektrische en elektronische apparatuur mag niet worden weggegooid met huishoudelijk afval (WEEE-richtlijn). Recycle het volledige product bij een erkend inzamelpunt. Het doorgestreepte afvalbinnensymbool geeft aan dat het product afzonderlijk moet worden ingezameld.

Recycle het hele product.

Duurzaamheidsnotie

Om de impact op het milieu te minimaliseren, controleer altijd of vervangbare componenten beschikbaar zijn voordat u het product weggooit.

De handleiding moet worden verstrekt als het product aan een derde partij wordt overgedragen.

Ⓓ Sicherheit

Lesen und verstehen Sie alle Anweisungen, bevor Sie das Produkt installieren oder verwenden. Bewahren Sie dieses Dokument für zukünftige Referenz auf. Verwenden Sie das Produkt nur wie beschrieben; unsachgemäße Verwendung kann Schäden, Feuer, elektrischen Schlag, gefährliche Laserstrahlung oder Verletzungen verursachen. Trennen Sie die Stromversorgung sofort, wenn eine Fehlfunktion auftritt. Lassen Sie das Gerät nicht fallen und setzen Sie es keinen Stößen aus. Verwenden Sie das Produkt nicht, wenn ein Teil beschädigt ist—ersetzen Sie es sofort. Arbeiten an der Netzspannung dürfen nur von qualifizierten Elektrikern durchgeführt werden. Sorgen Sie für ausreichende Belüftung; decken Sie das Gerät während des Betriebs niemals ab. Blicken Sie niemals direkt in die Laseröffnung oder den Laserstrahl. Vermeiden Sie den Kontakt von Augen oder Haut mit direkter oder reflektierter Laserstrahlung. Installieren und betreiben Sie das Gerät nur an Orten, an denen unbefugte Personen weder das Gerät noch den projizierten Strahl erreichen können. Achten Sie auf Reichweite von Kindern und Tieren halten.

Reinigung und Wartung

Trennen Sie das Gerät vor der Reinigung vom Stromnetz. Öffnen oder reinigen Sie keine internen Komponenten. Wartungsarbeiten dürfen nur von qualifizierten Technikern durchgeführt werden. Reinigen Sie Gehäuse und optisches Ausgangsfenster nur mit einem weichen, fusselfreien Tuch. Verwenden Sie keine Lösungsmittel, Reinigungsmittel oder scheuernden Mittel. Halten Sie Lüftungsschlitze, Lüfter und Kühlkörper frei von Staub und Verunreinigungen.

Entfernungsanweisungen

Elektrische und elektronische Geräte dürfen nicht mit dem Hausmüll entsorgt werden (WEEE-Richtlinie). Recyceln Sie das gesamte Produkt an einer autorisierten Sammelstelle. Das Symbol der durchgestrichenen Mülltonne weist auf eine getrennte Entsorgung hin.

Recycle Sie das gesamte Produkt.

Nachhaltigkeitsmemorandum

Um die Umweltbelastung zu minimieren, prüfen Sie vor der Entsorgung immer, ob austauschbare Komponenten verfügbar sind.

Das Handbuch muss bereitgestellt werden, wenn das Produkt an einen Dritten übertragen wird.

Ⓔ Seguridad

Lea y comprenda todas las instrucciones antes de instalar o utilizar el producto. Conserve este documento para futuras consultas. Utilice el producto únicamente según lo descrito; el uso incorrecto puede provocar daños, incendios, descargas eléctricas, exposición a radiación láser peligrosa o lesiones. Desconecte la alimentación inmediatamente si se produce un fallo. No deje caer el dispositivo ni lo exponga a impactos. No utilice el producto si alguna pieza está dañada—sustítuyala inmediatamente. Todos los trabajos relacionados con la tensión de red deben ser realizados únicamente por electricistas cualificados. Asegure una ventilación adecuada; nunca cubra el equipo durante el funcionamiento. No mire directamente al orificio o haz del láser. Evite la exposición de los ojos o la piel a radiación láser directa o reflejada. Instale y utilice el equipo únicamente en lugares donde personas no autorizadas no puedan acceder al dispositivo ni a la trayectoria del haz proyectado. Mantener fuera del alcance de niños y animales.

Limpieza y mantenimiento

Desconecte la unidad de la alimentación antes de limpiarla. No

abra ni limpie los componentes internos. El servicio técnico debe ser realizado únicamente por técnicos cualificados. Limpie las partes externas y la ventana óptica de salida con un paño suave y sin pelusa. No utilice disolventes, detergentes ni productos abrasivos. Mantenga las ranuras de ventilación, ventiladores y dispositivos libres de polvo y obstrucciones.

Instrucciones de retirada

Los equipos eléctricos y electrónicos no deben eliminarse con los residuos domésticos (Directiva WEEE). Recicle el producto completo en un punto de recogida autorizado. El símbolo del contenedor tachado indica que debe eliminarse por separado.

Recicla todo el producto.

Memorandum de Sostenibilidad

Para minimizar el impacto ambiental, compruebe siempre si existen componentes reemplazables antes de desecharlo.

El manual debe proporcionarse cuando el producto se transfiera a un tercero.

Ⓕ Sécurité

Lisez et comprenez toutes les instructions avant d'installer ou d'utiliser le produit. Conservez ce document pour référence future. Utilisez le produit uniquement comme décrit, une utilisation incorrecte peut provoquer des dommages, un incendie, un choc électrique, une exposition à un rayonnement laser dangereux ou des blessures. Coupez immédiatement l'alimentation en cas de dysfonctionnement. Ne laissez pas tomber l'appareil et ne l'exposez pas à des chocs. N'utilisez pas le produit si une pièce est endommagée—remplacez-la immédiatement. Tous les travaux sur la tension secteur doivent être effectués uniquement par des électriciens qualifiés. Assurez une ventilation adéquate; ne couvrez jamais l'appareil pendant son fonctionnement. Ne regardez jamais directement dans l'ouverture ou le faisceau laser. Évitez l'exposition des yeux ou de la peau à un rayonnement laser direct ou réfléchi. Installez et utilisez l'appareil uniquement dans des endroits où des personnes non autorisées ne peuvent pas accéder à l'appareil ni au faisceau projeté. Tenez hors de portée des enfants et des animaux.

Nettoyage et entretien

Débranchez l'appareil de l'alimentation avant de le nettoyer. N'ouvrez ni ne nettoyez les composants internes. Les travaux de maintenance doivent être effectués uniquement par des techniciens qualifiés. Nettoyez les parties extérieures et la fenêtre optique de sortie avec un chiffon doux et non pelucheux. N'utilisez pas de solvants, de détergents ni de produits abrasifs. Maintenez les ouvertures de ventilation, les ventilateurs et les dissipateurs thermiques propres et dégagés de poussière.

Instructions de recyclage

Les équipements électriques et électroniques ne doivent pas être jetés avec les déchets ménagers (directive DEEE). Recyclez le produit complet dans un point de collecte autorisé. Le symbole de la poubelle barrée indique une collecte séparée.

Recyclez tout le produit.

Mémorandum sur la durabilité

Afin de réduire l'impact environnemental, vérifiez toujours si des composants remplaçables sont disponibles avant de mettre le produit au rebut.

Le manuel doit être fourni lorsque le produit est transféré à un tiers.

Ⓖ Bezpieczeństwo

Przełączaj i zrozumij wszystkie instrukcje przed instalacją lub użyciem produktu. Zachowaj ten dokument do przyszłego wykorzystania. Używaj produktu wyłącznie zgodnie z opisem; niewłaściwe użycie może spowodować uszkodzenia, pożar, porażenie prądem, narazenie na niebezpieczne promieniowanie laserowe lub obrażenia. Wyłącz zasilanie przed czyszczeniem. Nie upuszczaj urządzenia ani nie narażaj go

na uszkodzenia. Nie używaj produktu, jeśli jakikolwiek części jest uszkodzona—wymień ją natychmiast. Wszystkie prace przy napięciu sieciowym mogą być wykonywane wyłącznie przez wykwalifikowanych elektryków. Zapewnij odpowiednią wentylację; nigdy nie zakrywaj wentylatorów podczas pracy. Nie patrz bezpośrednio w otwór ani wiązkę lasera. Unikaj narazenia oczu lub skóry na bezpośrednie lub odbite promieniowanie laserowe. Instaluj i używaj urządzenia wyłącznie w miejscach, gdzie osoby nieupoważnione nie mają dostępu do urządzenia ani do trajektorii wiązki. Trzymaj poza zasięgiem dzieci i zwierząt.

Czyszczenie i konserwacja

Odłącz urządzenie od zasilania przed czyszczeniem. Nie otwieraj ani nie czyść wewnętrznych komponentów. Prace serwisowe mogą być wykonywane wyłącznie przez wykwalifikowanych techników. Czyść zewnętrzne części oraz okna optyczne wyłącznie miękką, niestrzępiącą się szmatką. Nie używaj rozpuszczalników, detergentów ani środków ściernych. Utrzymuj otwory wentylacyjne, wentylatory i radiatory wolne od kurzu i zanieczyszczeń.

Instrukcje dotyczące utylizacji

Sprzęt elektryczny i elektroniczny nie wolno wyrzucać razem z odpadami domowymi (dyrektywa WEEE). Cały produkt należy oddać do autoryzowanego punktu zbiórki. Symbol przekreślonego kosza oznacza oddzielną zbiórkę.

Recyklingu cały produkt.

Uwaga dotycząca zrównoważonego rozwoju

Aby ograniczyć wpływ na środowisko, zawsze sprawdzaj, czy przed wyrzuceniem produktu dostępne są części zamienne. Instrukcja musi być dołączona, jeśli produkt zostanie przekazany osobie trzeciej.

Ⓒ Bezpieczeństwo

Przed instalacją lub użyciem produktu si przeczytać a pochopie wszystkie polynky. Tento dokument u uchovajte pre budúci použitie. Používajte výrobok podľa popisu; nesprávne použitie môže spôsobiť poráženie, požiar, úraz elektrickým prúdom, vystavenie nebezpečnému laserovému žiareniu alebo zraneniu. V prípade poruchy okamžite odpojte napájanie. Zariadenie nepoužívajte ani nevystavujte narazum. Nepoužívajte výrobok, pokiaľ je nejaká časť poškodená—okamžite ju vymeňte. Veškeré práce na síťovom napětí smí provádět pouze kvalifikovaní elektrikáři. Zajistěte dostatečné větrání; během provozu zařízení nikdy nezakrývejte. Nedívejte se přímo do otvoru nebo paprsku laseru. Zabraňte vystavení očí a kůže přímému nebo odraženému laserovému žárání. Instalujte a používejte zařízení pouze na místech, kde k zranění ani k dře paprsku nemají přístup nepovolené osoby. Uchovávejte mimo dosah dětí a zvířat.

Čištění a údržba

Před čištěním odpojte zařízení od napájení. Neotvírejte ani nečistěte vnitřní komponenty. Servisní práce musí provádět pouze kvalifikovaní technici. Větrací a optické výstupy nikdy nečistěte pouze měkkým hadříkem nepouštějícím vlákná. Nepoužívajte rozpušťadlá, detergenty ani abrazívni čistiaci prostriedky. Udržujte ventiláciu otvoru, ventilátory a chladiče čisté a bez prachu.

Polynky k likvidácii

Elektrická a elektrónická zariadenia nesmi byť likvidovaná spoločne s komunálnym odpadom (smernice WEEE). Recyklujte celý výrobok na autorizovanom zbieracom mieste. Symbol prekríženej koše označuje oddelenej zbierky. Recyklujte celý výrobok.

Pozornosti k udržovanosti

Prímanalizovať dopadu na životnú prostredie vždy pred vyrážaním výrobku zhorňujúci, zda jsou k dispozici výměnné komponenty.

Manuál musí být poskytnut, pokud je produkt převeden třetí straně.

WARNINGS



EN: This laser product must be installed, maintained, and serviced only by authorized and qualified personnel. The fixture is designed for suspended installation only and must always be mounted using the supplied bracket, a suitable mounting clamp, and a secondary safety attachment. The installation structure must be capable of supporting at least 10 times the weight of the unit for a minimum of one hour without deformation. In accordance with laser safety requirements, the lowest laser light must be positioned at least 30 cm above the floor and at least 2.5 m away horizontally from audience or public areas. Maintain a minimum distance of 0.5 m (20 inches) between the fixture and any flammable or heat-sensitive materials. Keep the area below the installation free from unauthorized persons during rigging, debugging, and servicing. For safety reasons, the use of an emergency kill switch is strongly recommended.

LASER APERTURE WARNING: Avoid direct exposure to the laser radiation emitted from the aperture.

MAXIMUM PERMISSIBLE EXPOSURE (MPE): Laser exposure to spectators or personnel must never exceed the Maximum Permissible Exposure (MPE) limits defined in IEC 60825-1 and applicable national regulations.

REFLECTIVE SURFACES: Do not direct the laser beam toward reflective surfaces such as mirrors, glass, polished metal, or other highly reflective materials.

ALIGNMENT SAFETY: Alignment procedures should be performed at reduced laser power whenever possible. Personnel performing alignment should wear suitable laser protective eyewear appropriate for the laser wavelength.

NO USER-SERVICEABLE PARTS: This device contains no user-serviceable parts. Opening the housing may expose hazardous laser radiation and will void the warranty.

NI: Dlaseroprojekt mora biti instaliran, održavan i popravljati isključivo ovlašteno i kvalificirano osoblje. Montaža je dizajnirana za obješenost i mora uvijek biti montirana pomoću dobavljačke okovne konstrukcije, dodatne sigurnosne pričvršćivačke i sekundarne sigurnosne pričvršćivačke. Konstrukcija instalacije mora biti sposobna podnijeti najmanje 10-put veću težinu jedinice nego što je dopušteno bez deformacije. U skladu s zahtjevima sigurnosti, najniži zrak laserske svjetlosti mora biti postavljen najmanje 30 cm iznad poda i najmanje 2,5 m udaljeno od publike ili područja javnog pristupa. Održavajte najmanje udaljenost od 0,5 m (20 inča) između jedinice i bilo kojeg zapaljivog ili osjetljivog na toplinu materijala. Zadržite područje ispod instalacije slobodnim od nepovlašćenih osoba tijekom postavljanja, podešavanja i održavanja. Iz sigurnosnih razloga, preporučuje se korištenje prekidača za hitno gašenje. Za sigurnosne razloge, preporučuje se korištenje prekidača za hitno gašenje.

MAXIMAL TOEGESTANDE BLOOTSTELLING (MPE): Laserblootstelling voor toeschouwers of personeel mag nooit maximaal toegestane blootstelling (MPE) overschrijden zoals gedefinieerd in IEC 60825-1 en de geldende nationale regelgeving.

REFLECTERENDE OPPERVLAKKEN: Richt de laserstraal niet op reflecterende oppervlakken zoals spiegels, glas, gepolijst metaal of andere sterk reflecterende materialen.

UITLIJNVEILIGHEID: Uitlijnprocedures moeten waar mogelijk worden uitgevoerd met een verlaagd laservermogen. Personeel dat de uitlijning uitvoert moet geschikte laserbeschermingsbrillen dragen die geschikt zijn voor de gebruikte laserlengte.

GEEN DOOR DE GEBRUIKTE TE ONDERHOUDEN ONDERDEEL: Dit apparaat bevat geen onderdelen die door de gebruiker kunnen worden onderhouden. Het openen van de behuizing kan blootstelling aan gevaarlijke laserstraling veroorzaken en doet de garantie vervallen.

DE: Dieses Laserprodukt darf nur von autorisiertem und qualifiziertem Fachpersonal installiert, gewartet und repariert werden. Das Gerät ist ausschließlich für die hängende Montage vorgesehen und muss immer mit dem mitgelieferten Haltebügel, einer geeigneten Montageklammer und einer sekundären Sicherheitsverankerung montiert werden. Die Tragkonstruktion muss mindestens das 10-fache des Gewichts des Geräts über einen Zeitraum von mindestens einer Stunde ohne Verformung tragen können. Entsprechend den Lasersicherheitsvorschriften muss der niedrigste Punkt des Laserstrahls mindestens 30 cm über dem Boden und mindestens 2,5 m horizontal von Publikum oder öffentlichen Bereichen entfernt sein. Halten Sie einen Mindestabstand von 0,5 m (20 Zoll) zwischen dem Gerät und brennbaren oder hitzematerialien. Halten Sie den Bereich unterhalb der Installation während Montage, Demontage und Wartung frei von unbefugten Personen. Aus Sicherheitsgründen wird die Verwendung eines Not-Aus-Schalters dringend empfohlen.

WARNUNG - LASERAPERTUR: Vermeiden Sie die direkte Exposition gegenüber der aus der Apertur austretenden Laserstrahlung.

MAXIMAL ZULASSIGE BESTRAHLUNG (MPE): Die Laserexposition für Zuschauer oder Personal darf niemals die maximal zulässigen Bestrahlungsgrenzen (MPE) gemäß IEC 60825-1 und den geltenden nationalen Vorschriften überschreiten.

REFLECTIERENDE OBERFLÄCHEN: Richten Sie den Laserstrahl nicht auf reflektierende Oberflächen wie Spiegel, Glas, poliertes Metall oder andere stark reflektierende Materialien.

AUSRICHTUNGSSICHERHEIT: Ausrichtungsarbeiten sollten nach Möglichkeit bei reduzierter Laserleistung durchgeführt werden. Personal, das die Ausrichtung durchführt, muss geeignete Laserschutzbrillen tragen, die für die Laserwellenlänge geeignet sind.

KEINE VON BENUTZER ZU WARTENDE TEILE: Dieses Gerät enthält keine vom Benutzer zu wartenden Teile. Das Öffnen des Gehäuses kann zu gefährlicher Laserstrahlung führen und führt zum Erlöschen der Garantie.

ES: Este producto láser debe ser instalado, mantenido y reparado únicamente por personal autorizado y cualificado. El equipo está diseñado exclusivamente para instalación suspendida y debe montarse siempre utilizando el soporte suministrado, una abrazadera de montaje adecuada y un sistema de seguridad secundario. La estructura de instalación debe ser capaz de soportar al menos 10 veces el peso de la unidad durante un mínimo de una hora sin deformación. De acuerdo con los requisitos de seguridad láser, el punto más bajo de la proyección del haz debe situarse al menos a 30 cm sobre el suelo y a una distancia horizontal mínima de 2,5 m de áreas accesibles. Mantenga una distancia mínima de 0,5 m (20 pulgadas) entre el equipo y cualquier material inflamable o sensible al calor. Mantenga el área situada debajo de la instalación libre de personas no autorizadas durante el montaje, desmontaje y mantenimiento. Por razones de seguridad, se recomienda encarecidamente el uso de un interruptor de parada de emergencia.

ADVERTENCIA - APERTURA LASER: Evite la exposición directa a la radiación láser emitida desde la apertura.

EXPOSICIÓN MÁXIMA PERMISIBLE (MPE): La exposición al láser para espectadores o personal nunca debe exceder los límites de Exposición Máxima Permissible (MPE) definidos en IEC 60825-1 y en las regulaciones nacionales aplicables.

SUPERFICIES REFLECTANTES: No dirija el haz láser hacia superficies reflectantes como espejos, vidrio, metal pulido u otros materiales altamente reflectantes.

SEGURIDAD DURANTE LA ALINEACIÓN: Los procedimientos de alineación deben realizarse con potencia láser reducida siempre que sea posible. El personal que realice la alineación debe usar gafas de protección láser adecuadas para la longitud de onda del láser.

SIN PIEZAS REPARABLES POR EL USUARIO: Este dispositivo no contiene piezas reparables por el usuario. Abrir el carcasa puede exponer a radiación láser peligrosa y anular la garantía.

FR: Ce produit laser doit être installé, entretenu et réparé uniquement par un personnel autorisé et qualifié. L'appareil est conçu exclusivement pour une installation suspendue et doit toujours être monté à l'aide de l'étrier fourni, d'un collier de fixation approprié et d'un dispositif de sécurité secondaire. La structure d'installation doit pouvoir supporter au moins 10 fois le poids de l'appareil pendant une durée minimale d'une heure sans déformation. Conformément aux exigences de sécurité laser, le point le plus bas du faisceau laser doit se situer à minimum 30 cm au-dessus du sol et à au moins 2,5 m horizontalement du public ou des zones accessibles. Maintenez une distance minimale de 0,5 m (20 pouces) entre l'appareil et tout matériau inflammable ou sensible à la chaleur. Maintenez à ce qu'aucune personne non autorisée ne se trouve sous la zone d'installation pendant le montage, le démontage ou le maintenance. Pour des raisons de sécurité, l'utilisation d'un interrupteur d'arrêt d'urgence est fortement recommandée.

AVERTISSEMENT - OUVERTURE LASER: Évitez toute exposition directe au rayonnement laser émis par l'ouverture.

EXPOSITION MAXIMALE PERMISIBLE (MPE): L'exposition au laser pour les spectateurs ou le personnel ne doit jamais dépasser les limites d'exposition maximale permise (MPE) définies dans la norme IEC 60825-1 et dans les réglementations nationales applicables.

SURFACES RÉFLECTISSANTES: Ne dirigez pas le faisceau laser vers des surfaces réfléchissantes telles que les miroirs, le verre, le métal poli ou d'autres matériaux hautement réfléchissants.

SÉCURITÉ D'ALIGNEMENT: Les procédures d'alignement doivent être effectuées avec une puissance laser réduite lorsque cela est possible. Le personnel qui exécute l'alignement doit porter des lunettes de protection laser appropriées à la longueur d'onde du laser.

AUCUNE PIÈCE RÉPARABLE PAR L'UTILISATEUR: Cet appareil ne contient aucune pièce réparable par l'utilisateur. L'ouverture du boîtier peut entraîner une exposition à un rayonnement laser dangereux et annuler la garantie.

PL: Ten produkt laserowy musi być instalowany, konserwowany i serwisowany wyłącznie przez upoważnioną i wykwalifikowaną personel. Urządzenie jest przeznaczone wyłącznie do instalacji wiszącej i musi być zawsze montowane przy użyciu dostarczonego uchwyty, odpowiedniego zaskrętki montażowego oraz dodatkowego zabezpieczenia. Konstrukcja montażowa musi być zdolna do utrzymania co najmniej 10-krotności masy urządzenia przez minimum jedną godzinę bez odkształceń. Zgodnie z wymaganiami bezpieczeństwa laserowego najniższy punkt wiązki laserowej musi znajdować się co najmniej 30 cm nad podłogą oraz co najmniej 2,5 m w poziomie od publiczności lub stref publicznych. Zachowaj minimalną odległość 0,5 m (20 cali) między urządzeniem a materiałami palnymi lub wrażliwymi na ciepło. Zadbaj o czystość instalacji, demontażu i konserwacji. Nie dopuszczaj do pracy pod instalacją, nie dopuszczaj do pracy w jej obszarze. Zgodnie z wymaganiami bezpieczeństwa, zaleca się stosowanie wyłącznika awaryjnego.

OSTRZEŻENIE - APERTURA LASERA: Unikaj bezpośredniego narażenia na promieniowanie laserowe emitowane z apertury.

MAKSIMALNA DOPUSZCZALNA EKSPOZYCJA (MPE): Ekspozycja na promieniowanie laserowe do widza lub personelu nigdy nie może przekazać limitów Maksymalnej Dopuszczalnej Ekspozycji (MPE) określonych w normie IEC 60825-1 oraz obowiązujących przepisach krajowych.

POWIERZCHNIE ODBIJAJĄCE: Nie kieruj wiązkę laserową na powierzchnie odbijające, takie jak lustro, szkło, polerowany metal lub inne materiały o wysokiej refleksyjności.

BEZPIECZEŃSTWO PODCZAS WYRÓWNIANIA: Procedury wyrównania powinny być wykonywane przy zmniejszonej mocy lasera, jeśli to możliwe. Personel wykonujący wyrównanie powinien nosić odpowiednie okulary ochronne przeznaczone do danej długości fali lasera.

BRAK CZĘŚCI OPRAWIALNEJ PRZEZ UŻYTKOWNIKA: Urządzenie nie zawiera części, które mogą być serwisowane przez użytkownika. Działanie obudowy może spowodować narażenie na niebezpieczne promieniowanie laserowe oraz uwięzienie gwarancji.

C: Tento laserový výrobek smi byť inštalovaný, udržiavaný a servisovaný pouze autorizovaným a kvalifikovaným personálom. Zariadenie je určeno výhradne pre zvisnú montáž a musí byť vždy namontované pomocou dodaného montážneho držáku, vhodného montážneho svorky a sekundárneho bezpečnostného zariadenia. Nosná konštrukcia musí byť schopná po dobu minimálnej jednej hodiny bez deformácie uniesť aspoň desťnásobok hmotnosti zariadenia. V súlade s požiadavkami na laserovú bezpečnosť musí byť najnižší bod laserového praku umiestnený minimálne 30 cm nad podlahou a minimálne 2,5 m vodorovne od publiky alebo verejných prístupových priestorov. Dodržujte minimálnu vzdialenosť 0,5 m (20 palcov) medzi zariadením a horľavými alebo tepelne citlivými materiálmi. Během montáže, demontáže a údržby musí být prostor pod místem instalace bez nepovolených osob. Z bezpečnostních důvodů se durne doporučuje použití nouzového vypínače. **VAROVÁNÍ - LASEROVÁ APERTURA:** Vyhýnejte se přímému vystavení laserovému záření vycházejícímu z apertury.

MAXIMÁLNÍ PRIPUSTNÁ EKSPOZICE (MPE): Expozice laserovému záření pro diváky nebo personál nikdy nepřekročí limity Maximální přípustné expozice (MPE) definované normou IEC 60825-1 a příslušnými národními předpisy.

ODRAŽIVÉ PLOCHY: Nesměřujte laserový paprsek na odrazivé povrchy, jako jsou zrcadla, sklo, lesklý kov nebo jiné vysoce odrazivé materiály.

BEZPEČNOST PŘI SERVOVÁNÍ: Postup servování zařízení by měly být pokud možno prováděny při sníženém výkonu lasera. Personál provádějící servování musí používat vhodné ochranné brýle proti laseru odpovídající vlnové délce lasera.

ZÁDNE ČÁSTI OPRÁVITELNÉ UŽIVATELEM: Servování neobsahuje žádné části opravitelné uživatelem. Otevření krytu může vystavit nebezpečnému laserovému záření a zrušit záruku.

EN: To ensure maximum laser lifetime, avoid frequent power cycling and rapid ON/OFF switching, as this can significantly reduce the lifetime of the laser diode. Switch off the device when it is not in use. Even when no visible laser output is present, internal components may remain active and continue to run. After approximately 1 hour of continuous operation, switch off the unit and allow it to cool down for at least 15 minutes. Ensure that cooling fans, ventilation openings, and heat sinks remain free from dust and dirt, as insufficient cooling may reduce performance and shorten component lifetime.

DE: Um eine maximale Lebensdauer von Laser zu gewährleisten, vermeiden Sie häufiges Ein- und Ausschalten sowie schnelles Schalten, da dies die Lebensdauer der Laserdiode erheblich verkürzen kann. Schalten Sie das Gerät aus, wenn es nicht verwendet wird. Auch wenn kein sichtbarer Laserstrahl ausgeht, können interne Komponenten weiterhin aktiv sein und altern. Schalten Sie das Gerät nach ca. einer Stunde Dauerbetrieb aus und lassen Sie es mindestens 15 Minuten abkühlen. Stellen Sie sicher, dass Lüfter, Lüftungsfnungen und Kühlkörper frei von Staub und Schmutz bleiben, da eine unzureichende Kühlung die Leistung vermindert und die Lebensdauer der Komponenten verkürzen kann.

FR: Afin de garantir une durée de vie maximale du laser, évitez les mises sous/hors tension fréquentes ainsi que les commutations rapides MARCHE/ARRÊT. Arrêtez le laser quand il n'est pas utilisé. Même en l'absence de sortie laser visible, certains composants internes peuvent rester actifs et continuer à fonctionner. Après environ 1 heure de fonctionnement continu, éteignez l'appareil et laissez-le refroidir pendant au moins 15 minutes. Veillez à ce que les ventilateurs, les ouvertures de ventilation et les dissipateurs thermiques restent exempts de poussière et d'impuretés, car un refroidissement insuffisant peut réduire les performances et raccourcir la durée de vie des composants.

PL: Aby zapewnić maksymalną żywotność lasera, należy unikać częstego włączania i wyłączania urządzenia oraz szybkiego przełączania ON/OFF, ponieważ może to znacząco skrócić żywotność diody laserowej. Wyłącz urządzenie, gdy nie jest używane. Nawet jeśli nie jest widoczna żadna wiązka lasera, elementy wewnętrzne mogą pozostawać aktywne i nadal się zużywać. Po około 1 godzinie ciągłej pracy przy maksymalnej wydajności i pozostaw je do ostygnięcia na co najmniej 15 minut. Należy dopilnować, aby wentylatory chłodzące, otwory wentylacyjne i radiatory były wolne od kurzu i zabrudzeń, ponieważ niewystarczające chłodzenie może obniżyć wydajność i skrócić żywotność komponentów.

CZ: Pro zajištění maximální životnosti lasera se vyhněte častému zapínání a vypínání zařízení a rychlému přepínání ON/OFF, protože to může výrazně zkrátit životnost laserové diody. Pokud zařízení nepoužíváte, vypněte jej i když není viditelný žádný laserový výstup, vnitřní součásti mohou zůstat aktivní a dále se opotřebovávají. Po přibližně 1 hodině nepřetržitého provozu zařízení vypněte a nechte jej alespoň 15 minut vychladnout. Ubejte na to, aby chladicí ventilátory, ventily otvory a chladiče byly bez prachu a nečistot, protože nedostatečné chlazení může snížit výkon a zkrátit životnost součástí.

WARNINGS



EN: Caution! Risk of electric shock.
NL: Let op! Gevaar voor elektrische shock.
DE: Achtung! Risiko eines elektrischen Schlags.
ES: ¡Precaución! Riesgo de descarga eléctrica.
FR: Attention! Risque de choc électrique.
PL: Uwaga! Ryzyko porażenia prądem.
CZ: Pozor! Nebezpečí úrazu elektrickým proudem.



EN: Read the manual before use.
NL: Lees de handleiding vóór gebruik.
DE: Bedienungsanleitung vor Gebrauch lesen.
ES: Lea el manual antes de usar.
FR: Lire le manuel avant utilisation.
PL: Przeczytaj instrukcję przed użyciem.
CZ: Přečtěte si návod před použitím.



EN: NOTE! Opening the device in any other way than described will void the warranty.
NL: LET OP! Het apparaat op een andere manier openen dan beschreven maakt de garantie ongeldig.
DE: HINWEIS! Ein anderes Öffnen des Geräts als beschrieben führt zum Verlust der Garantie.
ES: NOTA: Abrir el dispositivo de una forma distinta a la indicada anulará la garantía.
FR: REMARQUE : Toute ouverture non conforme aux instructions annule la garantie.
PL: UWAGA! Otwarcie urządzenia w sposób inny niż opisany unieważni gwarancję.
CZ: POZNÁMKA: Otevření zařízení jiným způsobem, než je popsáno, zruší záruku.



EN: Never look directly into the laser beam. Direct exposure to the laser beam may cause serious eye damage. Prevent others from looking directly into the laser beam.
NL: Kijk nooit rechtstreeks in de laserstraal. Directe blootstelling aan de laserstraal kan ernstige oogletsels veroorzaken. Voorkom dat anderen direct in de laserstraal kijken.
DE: Niemals direkt in den Laserstrahl schauen. Direkte Einwirkung des Laserstrahls kann schwere Augenschäden verursachen. Verhindern Sie, dass andere in den Laserstrahl schauen.
ES: Nunca mire directamente al rayo láser. La exposición directa al rayo láser puede causar graves daños oculares. Evite que otras personas miren directamente al rayo láser.
FR: Ne regardez jamais directement le faisceau laser. Une exposition directe au faisceau laser peut provoquer de graves lésions oculaires. Empêchez toute personne de regarder directement le faisceau laser.
PL: Nigdy nie patrz bezpośrednio w wiązkę lasera. Bezpośrednie narażenie na wiązkę lasera może spowodować poważne uszkodzenia oczu. Zapobiegaj patrzeniu innych osób bezpośrednio w wiązkę lasera.
CZ: Nikdy se nedívejte přímo do laserového paprsku. Přímé vystavení laserového paprsku může způsobit vážné poškození zraku. Zabráněte ostatním, aby se dívali přímo do laserového paprsku.



EN: Handle and install by professional personnel only.
NL: Alleen door professioneel personeel hanteren en installeren.
DE: Handhabung und Installation nur durch Fachpersonal.
ES: Manipular e instalar únicamente por personal profesional.
FR: Manipulation et installation uniquement par du personnel qualifié.
PL: Obsługa i instalacja wyłącznie przez wykwalifikowany personel.
CZ: Manipulace a instalace pouze odbornými personálem.

IP65

EN: IP65 housing - Dust-tight and protected against water jets.
NL: IP65-behuizing - Stofbestendig en beschermd tegen waterstralen.
DE: IP65-Gehäuse - Staubdicht und gegen Wasserstrahlen geschützt.
ES: Carcasa IP65 - Hermética al polvo y protegida contra chorros de agua.
FR: Boîtier IP65 - Étanche à la poussière et protégé contre les jets d'eau.
PL: Obudowa IP65 - Pyłoszczelna i odporna na strumienie wody.
CZ: Krytí IP65 - Prachotěsné a chráněné proti tryskající vodě.



EN: Class I - Metal parts are connected to electrical earth.
NL: Klasse I - Metalen delen zijn geaard.
DE: Klasse I - Metallteile sind mit Schutzleiter verbunden.
ES: Clase I - Las partes metálicas están conectadas a tierra.
FR: Classe I - Les parties métalliques sont reliées à la terre.
PL: Klasa I - Metalowe części są podłączone do uziemienia.
CZ: Třída I - Kovové části jsou připojeny k ochrannému uzemění.



2014/35/EU
2014/30/EU
2011/65/EC
2014/53/EU

EN: This product carries the CE mark and meets EU safety, health, and environmental requirements.
NL: Dit product draagt de CE-markering en voldoet aan de EU-eisen voor veiligheid, gezondheid en milieu.
DE: Dieses Produkt trägt die CE-Kennzeichnung und erfüllt die EU-Anforderungen an Sicherheit, Gesundheit und Umwelt.
ES: Este producto lleva el marcado CE y cumple los requisitos de seguridad, salud y medio ambiente de la UE.
FR: Ce produit porte le marquage CE et répond aux exigences européennes de sécurité, de santé et de protection de l'environnement.
PL: Produkt posiada oznakowanie CE i spełnia unijne wymagania dotyczące bezpieczeństwa, zdrowia i ochrony środowiska.
CZ: Tento výrobek nese označení CE a splňuje evropské požadavky na bezpečnost, zdraví a ochranu životního prostředí.



S.I. 2016:1101
S.I. 2016:109
S.I. 2012:3032
S.I. 2017:1206

EN: This product complies with UKCA safety, health, and environmental regulations applicable in the United Kingdom.
NL: Dit product voldoet aan de UKCA-voorschriften voor veiligheid, gezondheid en milieu die gelden in het Verenigd Koninkrijk.
DE: Dieses Produkt erfüllt die UKCA-Bestimmungen für Sicherheit, Gesundheit und Umweltschutz im Vereinigten Königreich.
ES: Este producto cumple la normativa UKCA de seguridad, salud y medio ambiente vigente en el Reino Unido.
FR: Ce produit est conforme aux réglementations UKCA relatives à la sécurité, à la santé et à l'environnement au Royaume-Uni.
PL: Produkt spełnia wymogi certyfikacji UKCA dotyczące bezpieczeństwa, zdrowia i ochrony środowiska obowiązujące w Zjednoczonym Królestwie.
CZ: Tento výrobek splňuje požadavky UKCA týkající se bezpečnosti, zdraví a ochrany životního prostředí ve Spojeném království.



EN: Dispose of this item separately from household waste. Recycle according to local environmental regulations. Proper separation reduces landfill/incineration volume and minimizes environmental and health impact.
NL: Het product apart van huishoudelijk afval afvoeren. Recyclen volgens de lokale milieuregels. Juiste scheiding vermindert de hoeveelheid afval en beschermt mens en milieu.
DE: Dieses Produkt getrennt vom Hausmüll entsorgen. Gemäß den lokalen Umweltschutzrichtlinien recyceln. Eine korrekte Trennung reduziert Abfall und schützt Gesundheit und Umwelt.
ES: Deseche este producto por separado de los residuos domésticos. Reciclélo según la normativa ambiental local. La separación adecuada reduce residuos y protege la salud y el medio ambiente.
FR: Éliminer ce produit séparément des déchets ménagers. Recycler conformément aux réglementations locales. Un tri correct réduit les déchets et protège l'environnement.
PL: Produkt należy utylizować oddzielnie od odpadów domowych. Poddać recyklingowi zgodnie z lokalnymi przepisami. Właściwa segregacja zmniejsza ilość odpadów i chroni środowisko.
CZ: Tento výrobek likvidujte odděleně od komunálního odpadu. Recyklujte de místních předpisů. Správné třídění snižuje množství odpadu a chrání zdraví i životní prostředí.

**LASER RADIATION
AVOID EXPOSURE TO BEAM
CLASS 4 LASER**

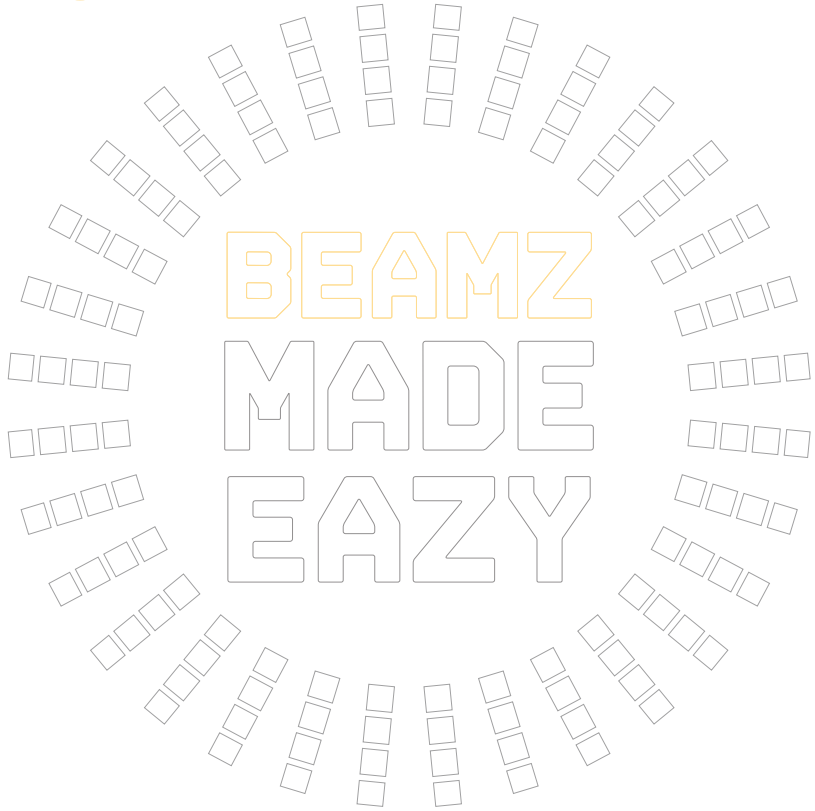
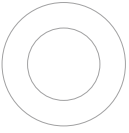
EN: Laser classification: Class 4
Standard: IEC / EN 60825-1
Wavelength: see product label
Maximum output power: see product label
NL: Laserclassificatie: Klasse 4
Norm: IEC / EN 60825-1
Golflengte: zie productlabel
Maximaal uitgangsvermogen: zie productlabel
DE: Laserklassifizierung: Klasse 4
Norm: IEC / EN 60825-1
Wellenlänge: siehe Produktetikett
Maximale Ausgangsleistung: siehe Produktetikett
ES: Clasificación del láser: Clase 4
Norma: IEC / EN 60825-1
Longitud de onda: ver etiqueta del producto
Potencia máxima de salida: ver etiqueta del producto

FR: Classification du laser: Classe 4
Norme: IEC / EN 60825-1
Longueur d'onde: voir l'étiquette du produit
Puissance de sortie maximale: voir l'étiquette du produit
PL: Klasyfikacja lasera: Klasa 4
Norma: IEC / EN 60825-1
Długość fali: patrz etykieta produktu
Maksymalna moc wyjściowa: patrz etykieta produktu
CZ: Klasifikace laseru: Třída 4
Norma: IEC / EN 60825-1
Vlnová délka: viz štítek produktu
Maximální výstupní výkon: viz štítek produktu

**AVOID EXPOSURE
LASER RADIATION IS
EMITTED FROM THIS
APERTURE
CLASS 4 LASER**

EN: Laser radiation emitted from this aperture. Avoid exposure to beam.
NL: Laserstraling wordt uit deze opening uitgestraald. Vermijd blootstelling aan de laserstraal.
DE: Laserstrahlung tritt aus dieser Öffnung aus. Vermeiden Sie eine Exposition gegenüber dem Strahl.
ES: Radiación láser emitida desde esta apertura. Evite la exposición al haz.
FR: Rayonnement laser émis par cette ouverture. Évitez toute exposition au faisceau.
PL: Promieniowanie laserowe emitowane z tego otworu. Unikaj ekspozycji na wiązkę.
CZ: Laserové záření je vyzářováno z tohoto otvoru. Vyhněte se vystavení paprsku.

Specifications and design are subject to change without prior notice.



European Union
Tronios B.V.,
Bedrijvenpark Twente Noord 18,
NL-7602KR Almelo,
The Netherlands
info@tronios.com

United Kingdom
Tronios Ltd.,
Central 8, Caspian Close
Stanford-le-Hope SS17 9FN,
United Kingdom

BEAMZLIGHTING.COM

Copyright © 2026 by Tronios The Netherlands



BEAMZ

**YOUR FUTURE
YOUR SKILLS
YOUR PLATFORM
YOUR PARTY
YOUR EVENT**

 **beamZ^{Pro}**

offers a wide range of high performance lighting equipment and related accessories for the rental, entertainment and architectural lighting markets. BeamZ Pro stands for performance, innovation and value pricing!

BEAMZLIGHTING.COM

