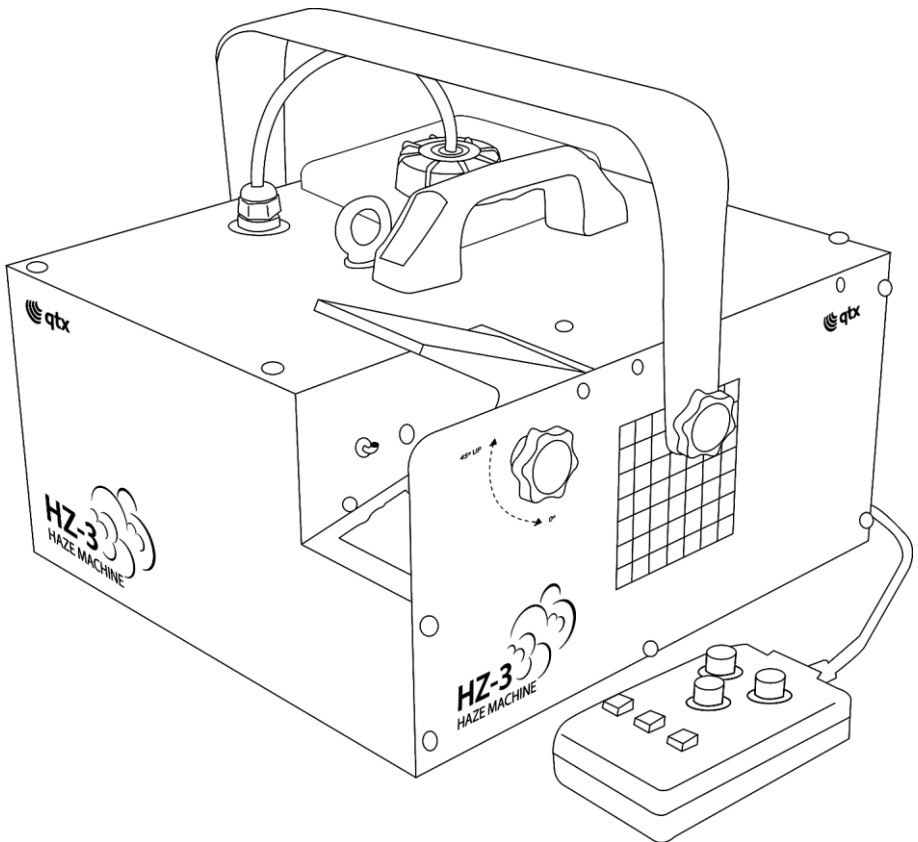


HZ-3

HAZE MACHINE

Order ref: 160.459UK

User Manual



VERSION 1.2

INTRODUCTION:

HZ-3 Haze Machine

A follow on from the highly successful HZ-2, the new HZ-3 haze machine features a range of upgrades to ensure it remains the top haze machine in its class. A new improved 700W heater ensures all fluid is vaporised quickly as well as decreasing the warm up time. The new easy to operate LED digital display allows for stand-alone operation as an alternative to the timer remote or 2 channel DMX operation. The 1.6l tank is removable and easy to clean. There is a fluid level sensor which indicates when the machine needs refilling so as not to damage the pump. This product has been specifically developed for professional installations and high-end DJ applications.

- 2,400 CU Ft (68m³) per minute (approx.)
- Relay temperature controlled for constant temperature control and longer life
- Uniquely designed nozzle for reduced condensation build up in the pipes
- Easy to use digital display operation
- True constant haze output
- Variable output angle
- Low fluid indicator
- Removable fluid tank
- Timer output remote control included
- Easy to transport and portable
- 2-channel DMX (output level and fan speed)

PACKAGE CONTENTS:

Please check the contents to ensure that the product has been received in good condition.

HZ-3 Haze Machine x 1pc	User's Guide x 1pc
Power Cord x 1pc	Remote Control x 1pc

If you find any accessory is missing or the machine has arrived with any problems, please contact your local dealer at once. Do not try to fix this item yourself or you will lose the warranty. Please keep the original package and invoice for any possible replacement or returned demand.

RECOMMENDED FLUID:

For the HZ-3 haze machine we strongly recommend the following fluid which has been specifically formulated to perform best with any heater based haze machines.

QTX Ref Code	Description	Size	Results
160.590UK	High quality professional Haze fluid	1 Litre	High quality ultra fine mist
160.591UK		5 Litre	

SETUP:

1. Unpack the haze machine
2. Unscrew the top cap of the tank and remove to fill with the recommended haze fluid
3. Replace the bottle and screw the cap securely ensuring the pipe is fed down to the bottom of the bottle so a consistent flow of fluid is supplied to the machine
4. Connect the remote control
5. Connect the IEC mains plug and power up
6. Heat up time is usually between 2-3 minutes. Please ensure no button is pressed during the heat up time. When the machine is ready the LED light on the machine and remote control will illuminate
7. After heat up, please refer to page 8 "Operation for HZ-3"


CAUTION! TO PREVENT MORTAL ELECTRICAL RISK AND LONG LIFE OPERATION:

For your safety, please kindly pay attention to all of the warnings listed below:

- Always plug in the power plug last and disconnect from the mains when the device is not in use or before cleaning
- Do not install and operate the device in rain or extreme heat, moisture or dusty environments
- This device is for indoor use only and in a dry environment
- Do not switch on immediately but wait until it reaches to room temperature if the device has been exposed to drastic temperature fluctuations
- Do not shake the device and avoid brute force when installing or operating
- Do not use the device during thunderstorms and please disconnect the power
- Do not use solvents or aggressive detergent to clean the device. Use a soft and clean cloth
- Do not modify the device or the connected power cord without authorisation

CONNECT WITH POWER SUPPLY – THE GROUND WIRE MUST BE CONNECTED:

Use the plug to connect to the main power supply as follows:

Wire	Connection	International signal
Brown	Live	L
Blue	Neutral	N
Yellow /Cyan	Earth	

QUICK TROUBLE SHOOTING

If the unit is not functioning properly

- Check if main power is on.
- Check the fuse hasn't blown.
- Check the unit isn't in DMX mode.
- Check there is fluid in the tank and the pipe is pushed down to the bottom of the bottle
- If there is blockage use distilled water or haze machine cleaning fluid

REPLACING FUSE

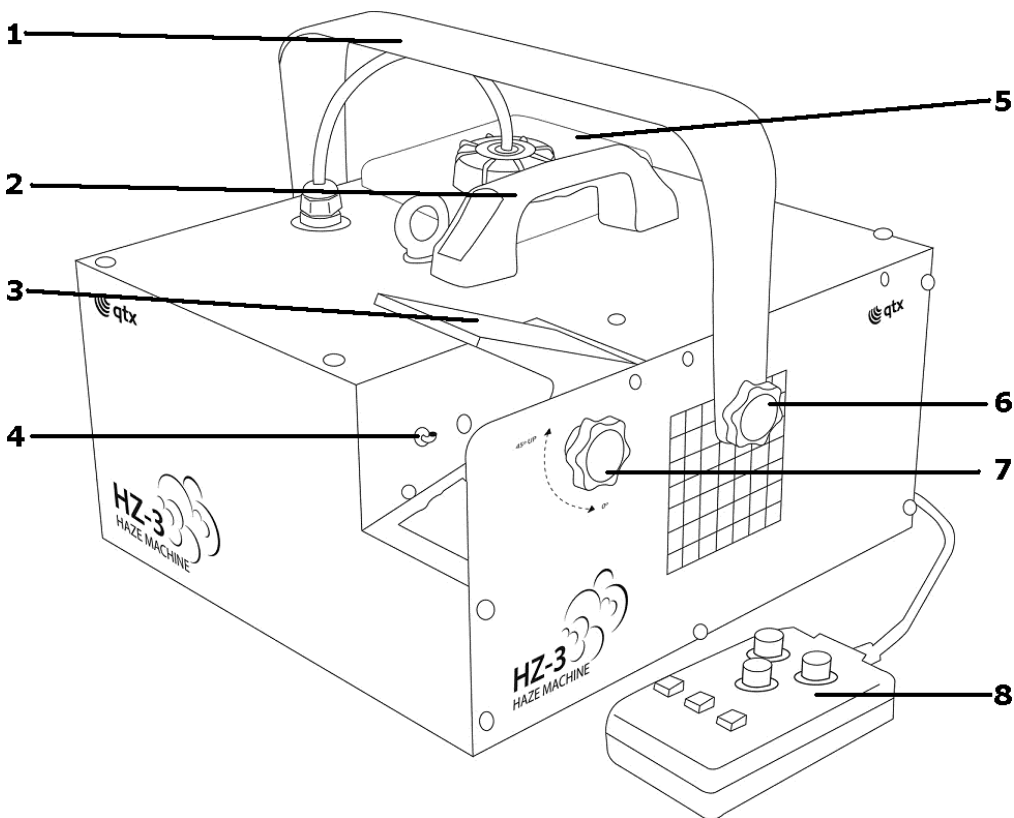
Disconnect from the main power supply first, then remove the fuse holder above the IEC Socket to reveal the fuse. Replace the correct fuse rating as stated on lighting or user guide. Then, lock the fuse holder cover back into place.

GENERAL MAINTENANCE

To maintain optimum performance and minimize wear, the item should be cleaned frequently. Usage and environment are contributing factors in determining frequency. As a general rule, fixtures should be cleaned after use to avoid dust build-up and blockages, which can result in poor performances, overheating and breakages. Be sure to power off fixture before conducting maintenance.

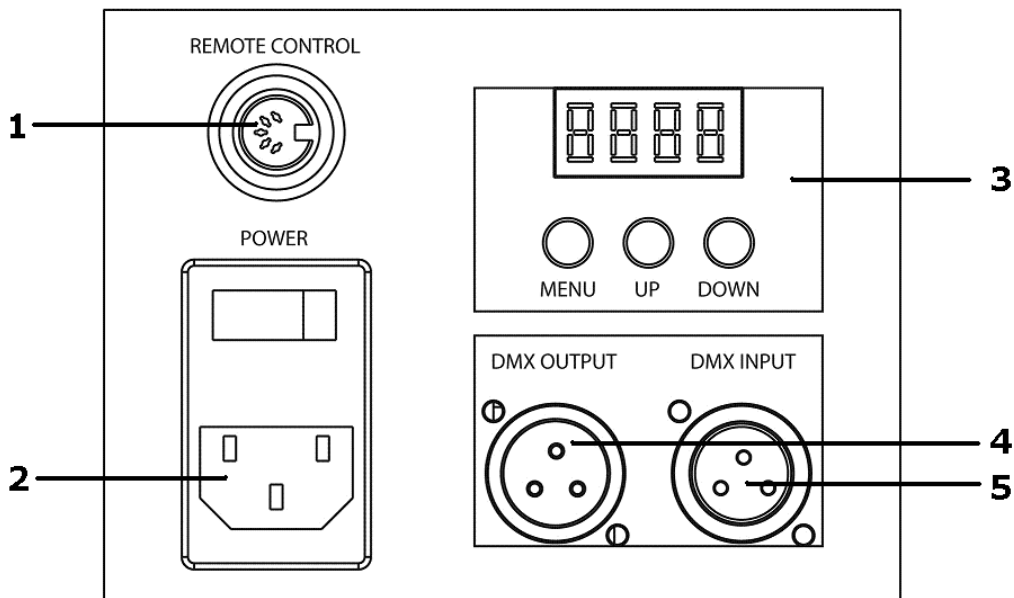
Unplug fixture from power. Use a vacuum or air compressor and a soft brush to remove dust collected on external vents and internal components. Clean the external case when the fixture is cold with a dry cloth or tissue, and drag dirt and grime to the outside case.

LAYOUT HZ-3:



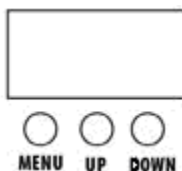
1. Mounting Handle
2. Carry handle
3. Adjustable output flap
4. Haze nozzle output
5. Removable bottle
6. Thumb screw for mounting bracket
7. Thumb screw for adjustable out put flap.
8. Handheld Remote controller

REAR PANEL HZ-3:



1. Remote connection
2. Power IN (Use IEC lead provided)
3. LED Digital controller (see next section)
4. DMX Out
5. DMX IN

OPERATION FOR HZ-3



When you first turn on the Haze machine it will display "HEAt" for around 2-3 minutes while the unit warms up. When completed you will have access to various options if the wired remote control is not connected

Press menu to scroll through the various options listed below. Use the up and down keys to set the secondary function.

Display	Function
HEAt	Unit is warming up no function available
A001-A512	DMX address
FS-1 to 5	Manual Fan Speed 1=slow, 5=high
HO-0 to 5	Manual Haze output 0 = off, 1 = low, 5 = high

FS (Fan Speed) and HO (Haze Output) are settings for continuous stand-alone operation and will override any remote control of the HZ-3

DMX

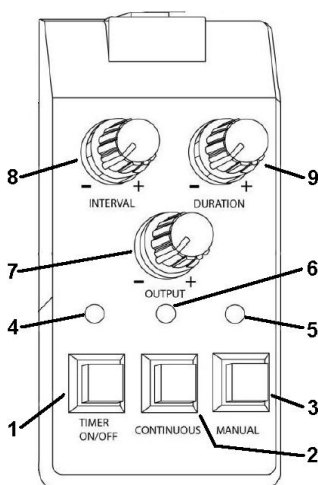
When in DMX mode there are two channels with the following function:

DMX channel	DMX Scale	Detail function
CH 1	000 - 255	0% - 100% Fan Speed
CH 2	000 - 255	0% - 100% Haze Output

TIMER CONTROLLER

The timer controller can be used to control the HZ-3 remotely.

Please note Fan Speed (FS) and Haze Output (HO) must be set to zero for the remote timer controller to operate.



1. Timer on/off button
2. Continuous output
3. Manual override button
4. Timer LED indicator (Illuminated Yellow when timer active)
5. Manual ready indicator (Illuminates Green when ready)
6. Power indicator (Illuminates red when power is on)
7. Adjust the amount of Haze released (between 0 – 100%)
- NOTE:** *The below controls are only used when in timer mode*
8. Adjust the interval gap between each release of Haze (between 0 – 30 Min approximately)
9. Adjust the duration the Haze / Haze is released at each interval (between 0 – 15 seconds approximately)

For best results select "continuous" and adjust output to achieve desired effect, note it can take around 30 seconds for the machine to produce the correct output.

TECHNICAL SPECIFICATION

Power supply	230Vac, 50Hz
Fuse	F5A
Power	700W
Re-heat time	3 min (approx)
Haze Output	2,400 Cu Ft (68m ³) per minute
Tank capacity	1.6 Litres
Dimensions	310 x 330 x 263mm
Weight	8kg

DISPOSAL:



Please disposal of the unserviceable device according to the current statutory requirements.

Effects Fluid Chart

Bubble Fluid

Stock Code	Volume	Description	Results	For use with:
160.574UK	1 Litre	Bubble fluid	Light bubbles that last longer	160.562UK 160.573UK 160.571UK 160.570UK
160.575UK	5 Litre			
160.576UK	1 Litre	UV bubble fluid	Light bubbles that glow when under UV Light	
160.577UK	5 Litre			

Snow Fluid

Stock Code	Volume	Description	Results	For use with:
160.578UK	1 Litre	Snow Fluid	High quality snow lasts 30% longer than other standard fluids	160.568UK
160.579UK	5 Litre			

Smoke Fluid

Stock Code	Volume	Description	Colour	Results			For use with:
				Dispersion	Density	Stability	
160.643UK	1 Litre	Standard smoke fluid	Yellow	Quick	Light	Low	160.452UK 160.543UK 160.449UK 160.428UK 160.429UK 160.430UK Or for best results use any machine up to 900W
160.582UK	5 Litre						
160.587UK	1 Litre	High grade smoke fluid	Orange	Slow	Medium	Good	
160.588UK	5 Litre						
160.644UK	1 Litre	High quality smoke fluid	Pink	Slow	High	Good	160.455UK 160.437UK 160.446UK Or for best results use any machines between 1000 - 5000W
160.583UK	5 Litre						
160.589UK	5 Litre	Premium smoke fluid	Clear	Slow	V. High	V. Good	
160.670UK	20ml	Smoke machine cleaner	Clear	Longer life from your smoke machine			All smoke machines

Haze

Stock Code	Volume	Description	Colour	Results			For use with:
				Dispersion	Density	Stability	
160.590UK	1 Litre	High quality haze fluid	Clear	Slow	High	Good	160.450UK, 160.451UK & 160.454UK
160.591UK	5 Litre						

*Errors and omissions excepted.
Copyright© 2013. AVSL Group Ltd.*