

CX-1000BR
SUBWOOFER CABINET
Order ref: 170.226
User Manual



Phase-inverted low frequency speaker enclosure made from premium Russian ply with custom drive units.

Computer designed bracing and porting of the enclosure help to optimize and focus low frequencies.

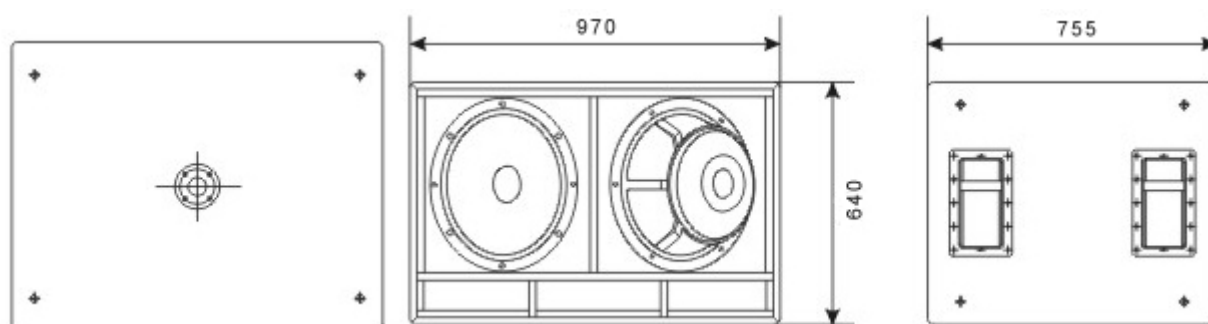
Capable of developing high SPL output, this sub unit is a key component for any large sound reinforcement system.

- Phase-inverted, high energy loading
- Durable textured black paint finish
- 16 x M10 flying points
- Heavy duty powder-coated steel grille
- Speakon® connectors fitted
- Top mounted 35mm pole mount socket
- All fittings rebated for easier stacking and arraying
- Steel bar handles fitted as standard

Specifications

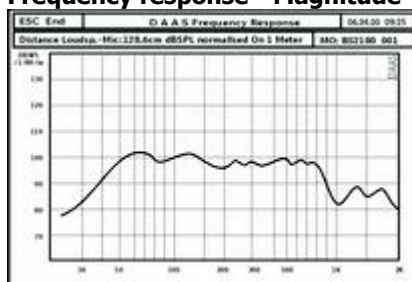
Power RMS	1000W
Power Max	1300W (5 minutes max)
LF drivers	2 x 450mmØ (18")
Impedance	4Ω
Frequency response (-3dB)	35Hz – 300Hz
Frequency response (-10dB)	30Hz – 500Hz
Sensitivity (1W/1m)	100dB
Connectors	2 x Speakon® (NL 4)
Dimensions	640 x 970 x 755mm
Weight	83kg

Technical drawings

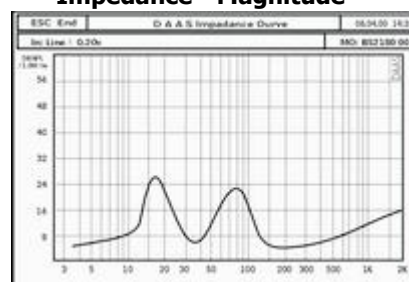


Technical Diagrams

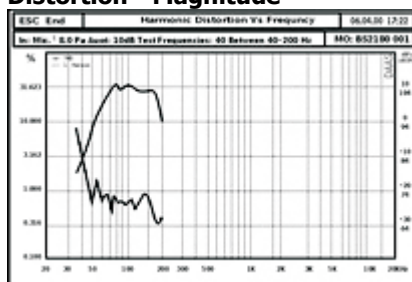
Frequency response - Magnitude



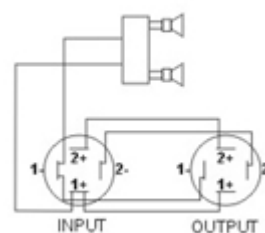
Impedance - Magnitude



Distortion - Magnitude



Connection



*Errors and omissions excepted.
Copyright© 2012. AVSL Group Ltd.*