

DJ Laptop stand +tray

Ref. nr.: 180.043



INSTRUCTION MANUAL

ENGLISH

Congratulations to the purchase of this Power Dynamics product. Please read this manual thoroughly prior to using the unit in order to benefit fully from all features.

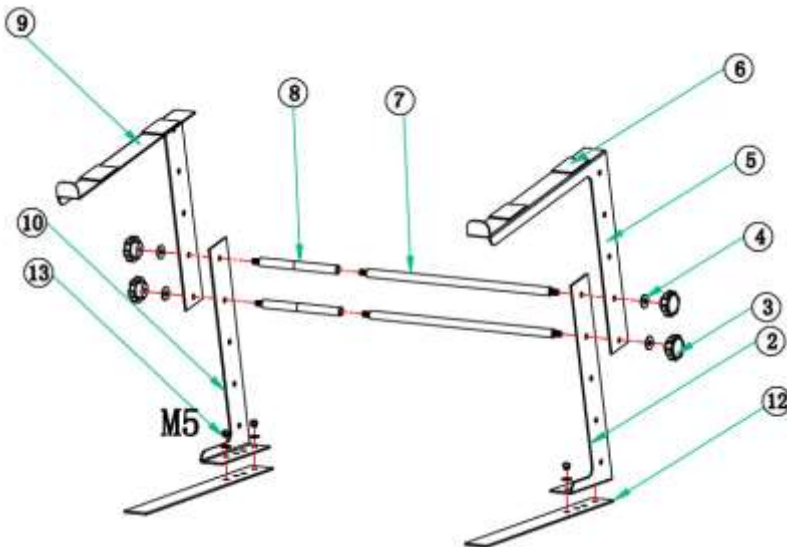
This stand is ideal for DJs, Musicians and lighting designers. It can hold a laptop as wide as 17". It may be used to support other machinery including mixers, controllers, printers etc. It can be placed on the table or on the case.

PART LIST

Part No.	Part Name	Qty (pcs)
1	(NA)	
2	Right bottom support	1
3	Plastic knob	4
4	Rubber wash	8
5	Right top holder	1
6	Anti vibration pad	4
7	Cross rod	2
8	Width adding piece	2
9	Left top holder	1
10	Left bottom support	1
11	(NA)	
12	Level table bar	2
13	M5 screw	4

ASSEMBLY INSTRUCTIONS

1. Install the stand as per one of the following drawings
2. Tighten the screws and knobs
3. Place the laptop on the stand
4. Do not throw away any of the parts or packaging



PLACE ON THE TABLE

Specifications and design are subject to change without prior notice..

www.tronios.com

Copyright © 2016 by TRONIOS the Netherlands