

**PD** Power Dynamics  
Professional Audio

**DECK 750**  
WWW.POWERDYNAMICS.COM

# ASSEMBLY INSTRUCTIONS FOR POWER DYNAMICS DECK 750

Read this manual carefully before attempting  
to assemble the Power Dynamics stage decks.

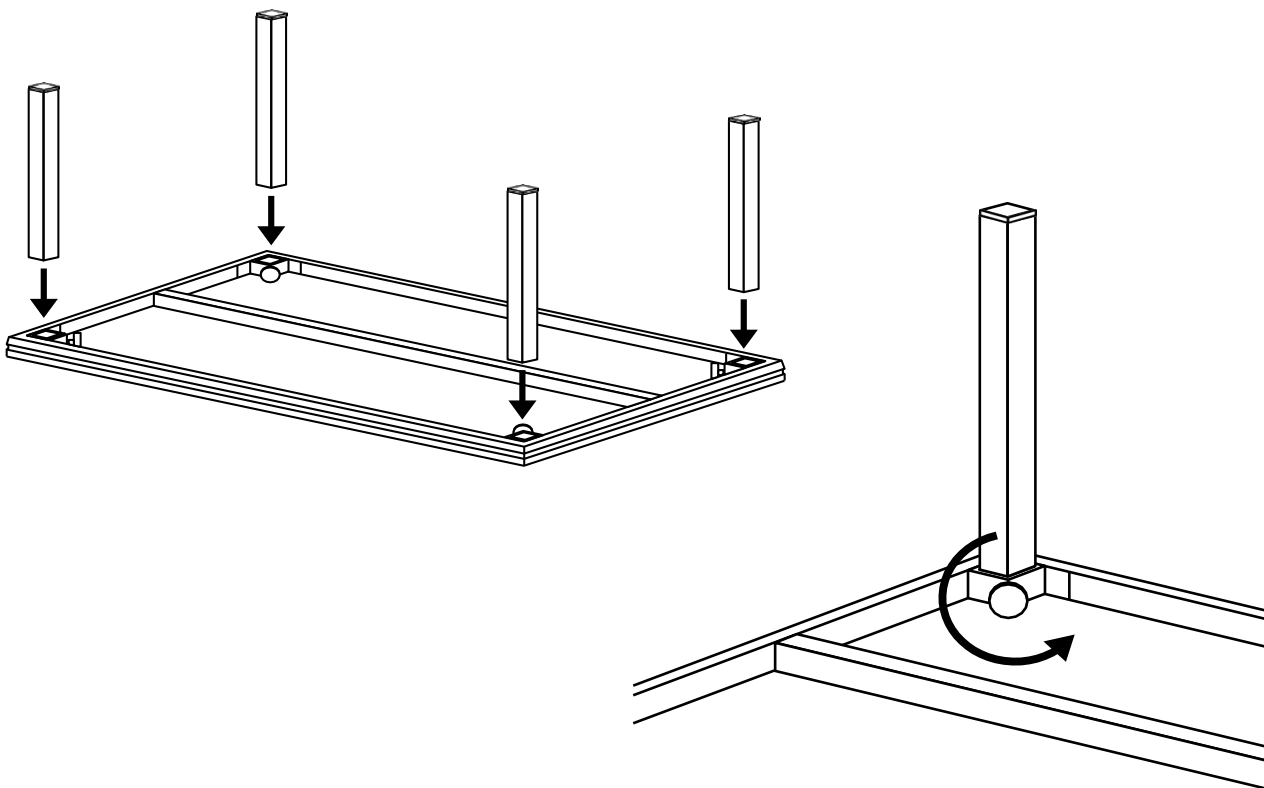
**PD** Power Dynamics  
Professional Audio

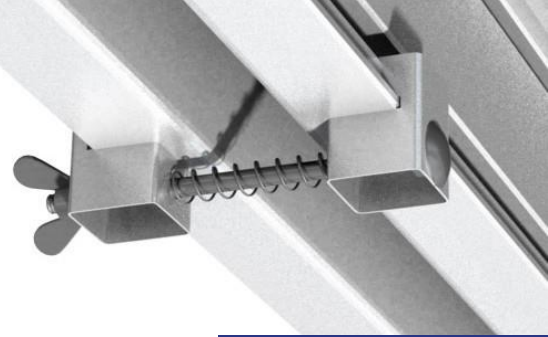
## ASSEMBLY INSTRUCTIONS:

Please check below instructions to insure correct assembling of your stage.  
All connections such as deck to deck clamp, leg to leg clamp must be fitted properly  
before using the stage.

### ASSEMBLY OF THE LEG

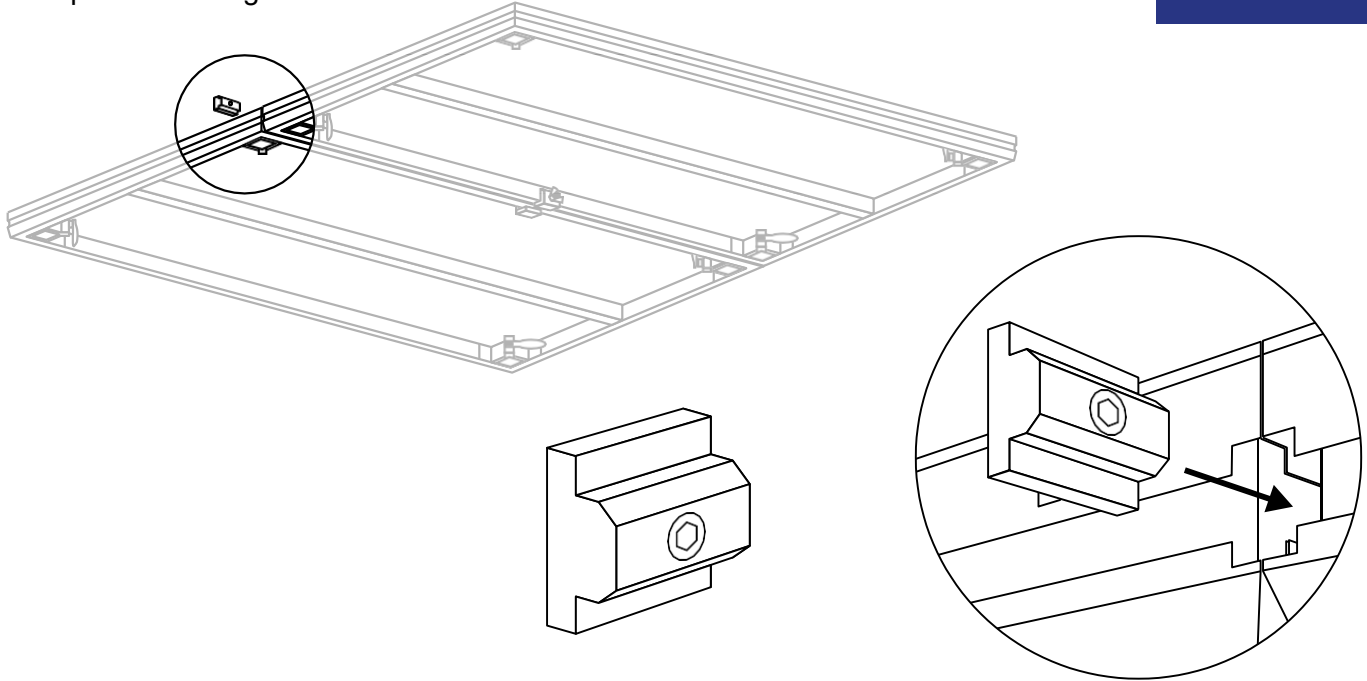
Place the desired leg in the leg receiver of the stage deck  
on the underside.  
Tighten the leg by fastening the knob clockwise. Do this at  
all 4 corners.  
Turn the deck over and place it in the correct position.





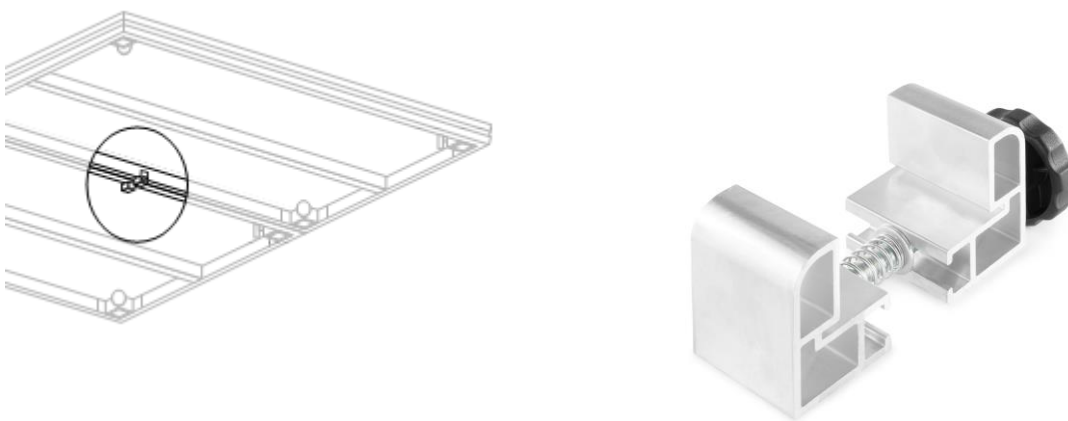
## SELF-LEVELING INSERT

Align the stage decks using the self-leveling insert. Use 3 pieces on a 2 / 1m deck. 1 piece of leveling insert on the short side and 2 pieces on long side.



## CLAMP DECK TO DECK

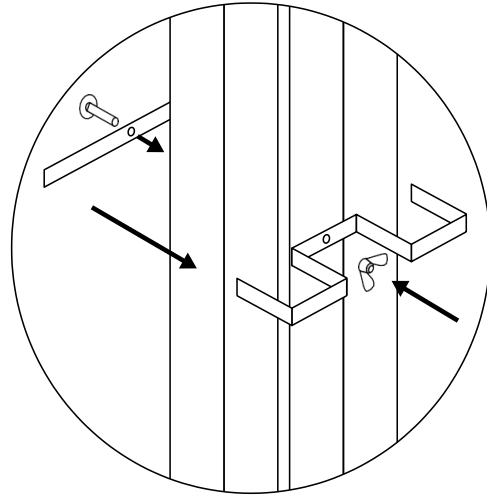
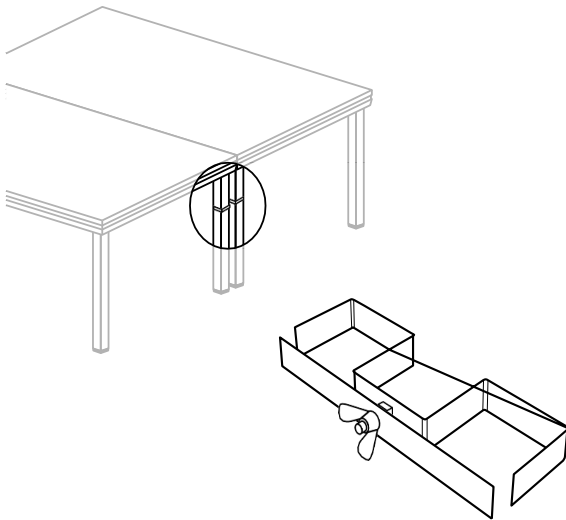
Use 3 clamps per deck on the short side and 2 on the long side. Fasten the clamp by turning the knob clockwise.





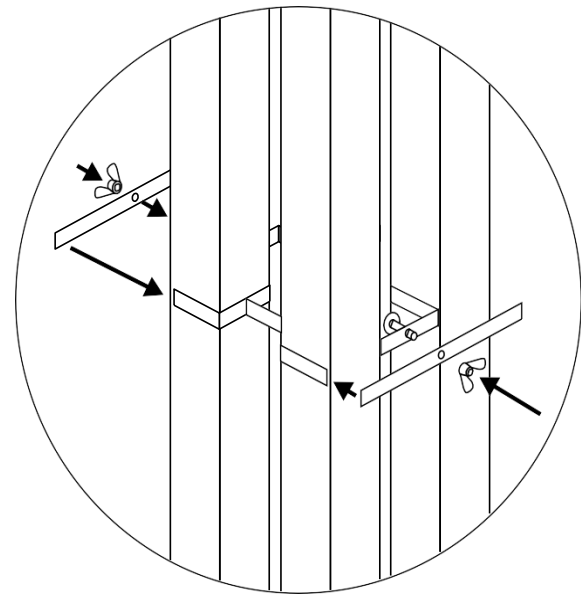
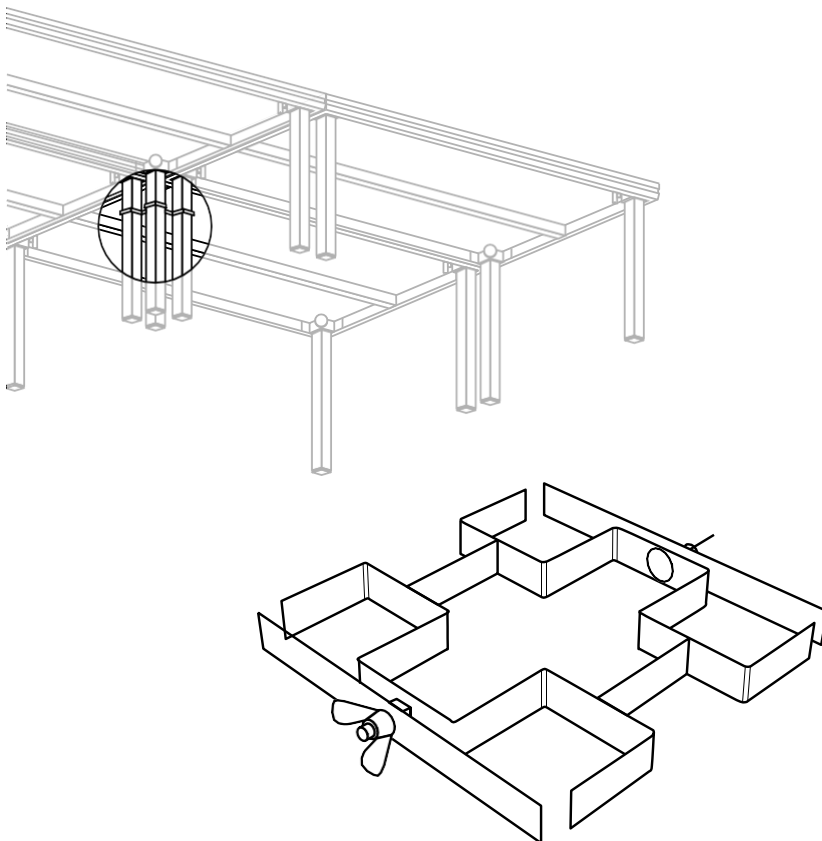
### LEGS TO LEGS CLAMP 2 FEET

Use 1 clamp for two legs, position them a maximum of 20 cm below the stage deck.  
Fasten the clamp by turning the knob clockwise.



### LEG TO LEGS CLAMP 4 FEET

Use 1 clamp for 4 legs, position it a maximum of 20 cm below the deck.  
Fasten the clamp by turning the knob clockwise.



## TRANSPORT AND STORAGE

Transport all components with care from one location to another. Damage can easily happen during transport. Damaged parts will negatively affect the structural integrity of the system.

Store all components free from dust and environmental influences. For the ease of handling store stage deck bottom up.

The stage decks should be stored in a dry place free of dirt and moisture.

## MAINTENANCE

Keep the stage decks free of dust and moisture.

Clean all parts with warm water and soap. Avoid cleaning materials and chemical liquids.

## Operation instructions:

A)

The stage deck can be used indoors and occasionally outdoors. After use, they should be cleaned of dirt and dried before storage.

B)

On uneven surfaces, the stage decks must be properly leveled before use. The stage decks must be properly connected with the suitable clamps and self-leveling blocks.

C)

Before use, make sure that the whole stage deck is stable and properly assembled.

D)

At least 2 people are required to assemble and move the stage decks. The stage decks should be assembled according to the instructions, and disassembled in reverse order.

E)

Make sure to use only original Power Dynamics parts. When in doubt, consult your nearest dealer.

F)

The load on the floor where the stage deck has been set up must correspond to the nominal load.

## SERVICE-INSTRUCTIONS:

G)

A visual inspection by appropriately trained persons should be carried out before each use of the stage decks to detect any damage that could affect safety.

Visual inspections should be carried out by appropriately trained persons.

H)

Devices that are not suitable for further use are to be disposed of in accordance with local regulations.

Warning:

The use of incorrect accessories can lead to personal injuries and severe damage and failure of components and structural elements.



# DECK 750



Contact the manufacturer:  
POWER DYNAMICS  
TRONIOS BV  
Bedrijvenpark Twente Noord 18  
7602 KR Almelo  
[www.POWER-DYNAMICS.eu](http://www.POWER-DYNAMICS.eu)

