

Universal switching power supply series

Principle & Characteristics

The universal switch power supply adopts power semiconductor as the switching element, the output voltage is adjusted by making and breaking the switch periodically and control the time ratio of off to on of the switch elements. Meanwhile, it has over-current and over-voltage protection function; it has the advantages as small output wave, high efficiency, small volume, elegant appearance and so on.

Scope of Application

It is suitable in the industrial automatic control, communication, post and telecommunication, instruments and meters, semiconductor cooling and heating etc., fields.

Main advantage

- Adopt imported accessories, with high reliability;
- Built-in EMI filter, with strong anti-reference ability;
- AC surge current limit;
- Wide input voltage range, meet the international standard;
- Low working temperature, long service life.

Main Technical Parameter

Output power: 15W, 25W, 30W, 35 W, 40 W, 50 W, 60 W, 100 W, 120 W, 150 W, 180 W, 200 W, 240 W, 280 W, 320 W, 350 W

AC input voltage: 170V-264V, 85-132V (Switch Selection), 85-264V

AC input frequency: 47Hz~63Hz

Electric network adjusting rate: $\leq \pm 1\%$

Load adjusting rate: $\leq \pm 8\%$

Frequency(Full load): $\geq 78\%$

Readjustment range of output voltage: $\pm 1\%$ (main circuit)

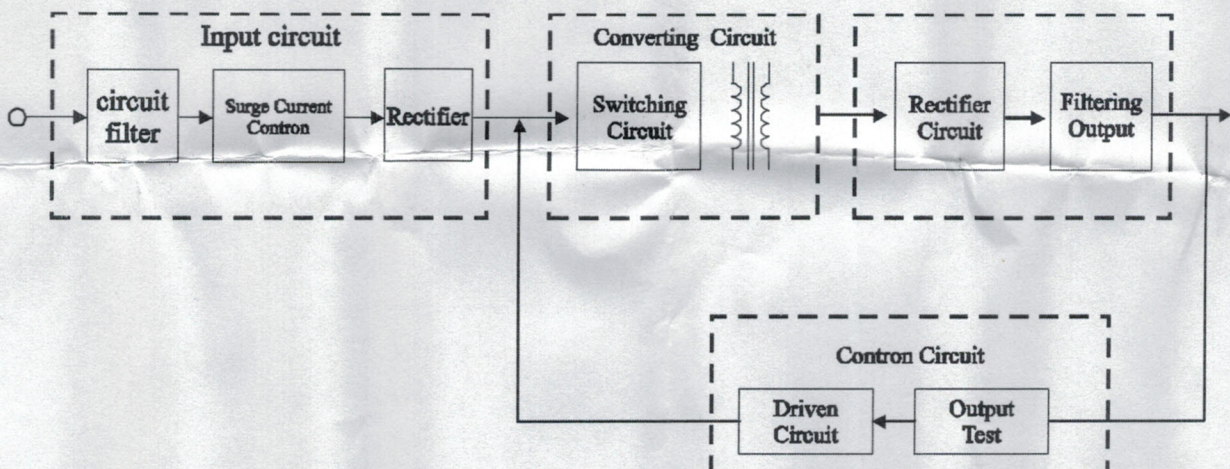
Output wave(resistive load) peak: $\leq 120\text{mV}$

Output over-voltage protection: 115%~35%

Output over-voltage protection: 110%~150%

Insulation resistance: 50M Ω

Remark: special specification can be made to order



Principle Scheme of Universal Switch Power Supply