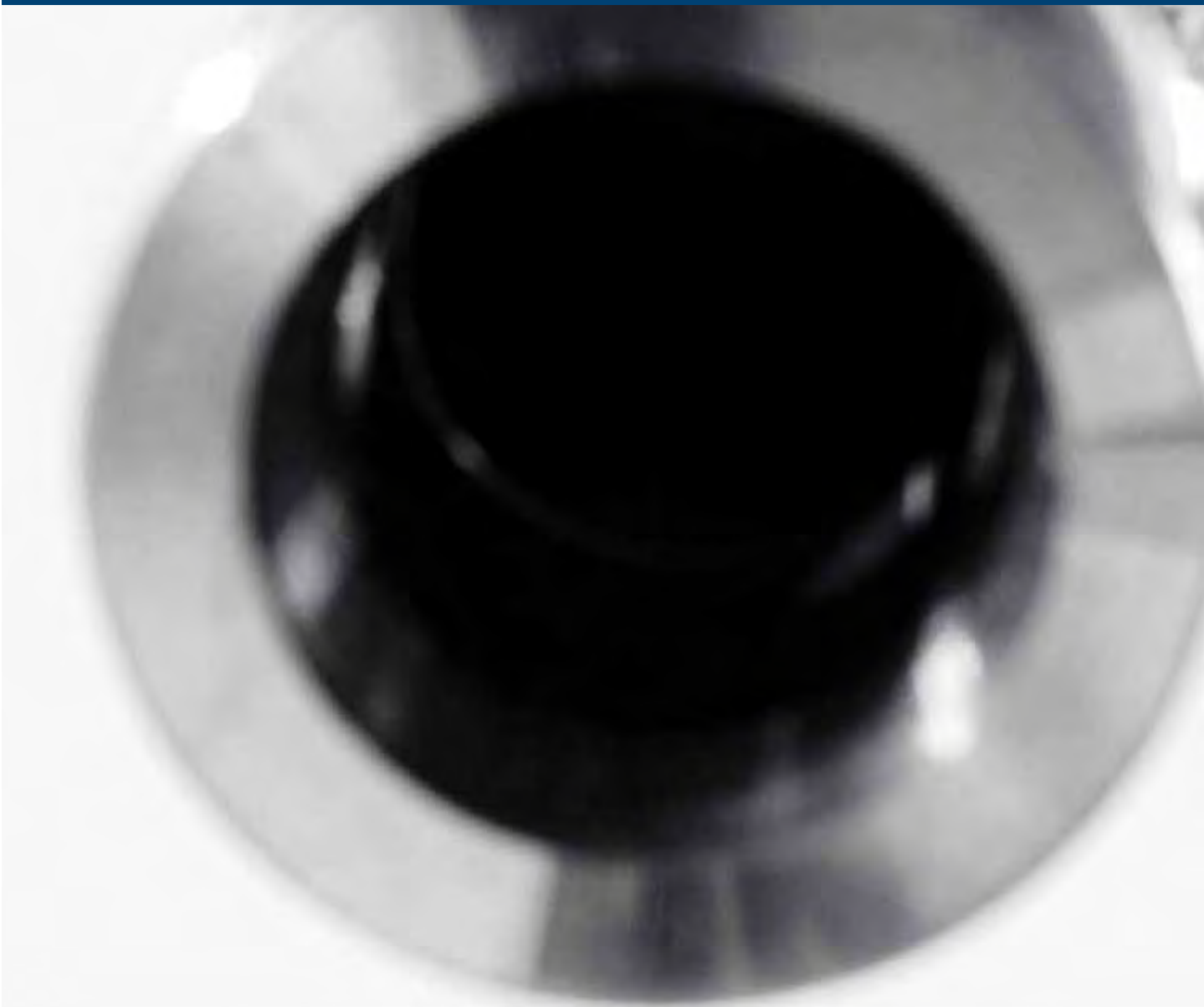




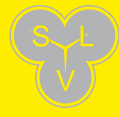
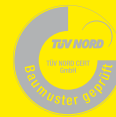
Small size and huge help
Small & medium trusses





Small size and huge help

QuickTruss® M290B



The M290 system is the mid-size truss line offered in the QuickTruss® family.

QuickTruss® M290B fits nicely in both large and small applications. Available in regular "B" Range format, it offers great spanning and weight loading capabilities while providing a decorative touch! The connection method is the same Conical Con-

nection system used in the M222 Series, just larger in size.

QuickTruss® M290B is available in custom lengths and junctions, and can be curved (See Circle Section). It comes in Natural Silver or a wide variety of Powder Coated colors and finishes.

DUO M290B														
Span in m (ft)	4,00	13.12	6,00	19.69	8,00	26.25	10,00	32.81	12,00	39.37	14,00	45.93	16,00	52.50
point load in kg (lbs)	587,00	1294.11	387,00	853.19	286,00	630.52	224,00	493.83	182,00	401.24	152,00	335.10	128,00	282.19
deflection in mm (inch)	12,00	0.47	28,00	1.09	50,00	1.95	79,00	3.08	114,00	4.45	156,00	6.08	206,00	8.03
two point load in kg (lbs)	385,00	848.78	290,00	639.34	214,00	471.79	168,00	370.38	137,00	302.03	114,00	251.33	96,00	211.64
deflection in mm (inch)	14,00	0.55	36,00	1.40	64,00	2.50	100,00	3.90	143,00	5.58	195,00	7.61	254,00	9.91
distrib. loading in kg/m (lbs/ft)	192,00	129.00	127,00	85.33	71,00	47.70	45,00	30.24	30,00	20.16	22,00	14.78	16,00	10.75
total distrib. loading in kg (lbs)	768,00	1693.15	762,00	1679.92	568,00	1252.22	450,00	992.08	360,00	793.66	308,00	679.02	256,00	564.38
deflection in mm (inch)	10,00	0.39	35,00	1.37	62,00	2.42	97,00	3.78	140,00	5.46	191,00	7.45	249,00	9.71

DUO figures are based on use in vertical mode & grid application (i.e. stabilized every 1 m)

TRIO M290B														
Span in m (ft)	4,00	13.12	6,00	19.69	8,00	26.25	10,00	32.81	12,00	39.37	14,00	45.93	16,00	52.50
point load in kg (lbs)	504,00	1111.13	329,00	725.32	239,00	526.9	184,00	405.65	145,00	319.67	117,00	257.94	94,00	207.23
deflection in mm (inch)	11,00	0.43	24,00	0.94	43,00	1.68	69,00	2.69	100,00	3.90	138,00	5.38	182,00	7.10
two point load in kg (lbs)	378,00	833.35	247,00	544.54	179,00	394.63	138,00	304.24	109,00	240.30	87,00	191.80	70,00	154.32
deflection in mm (inch)	14,00	0.55	31,00	1.21	55,00	2.15	85,00	3.32	123,00	4.80	167,00	6.51	218,00	8.50
distrib. loading in kg/m (lbs/ft)	252,00	169.32	110,00	73.91	60,00	40.31	37,00	24.86	24,00	16.13	17,00	11.42	12,00	8.06
total distrib. loading in kg (lbs)	1008,00	2222.26	658,00	1450.64	480,00	1058.22	370,00	815.71	288,00	634.93	238,00	524.70	192,00	423.29
deflection in mm (inch)	13,00	0.51	30,00	1.17	53,00	2.07	84,00	3.28	120,00	4.68	164,00	6.40	214,00	8.35

TRIO figures are based on use in apex down orientation

QUATRO M290B														
Span in m (ft)	4,00	13.12	6,00	19.69	8,00	26.25	10,00	32.81	12,00	39.37	14,00	45.93	16,00	52.50
point load in kg (lbs)	1171,00	2581.61	771,00	1699.76	568,00	1252.22	444,00	978.85	359,00	791.46	297,00	654.77	248,00	546.75
deflection in mm (inch)	12,00	0.47	28,00	1.09	50,00	1.95	79,00	3.08	115,00	4.49	157,00	6.12	207,00	8.07
two point load in kg (lbs)	852,00	1878.34	578,00	1274.27	426,00	939.17	333,00	734.14	269,00	593.04	222,00	489.43	186,00	410.06
deflection in mm (inch)	15,00	0.59	36,00	1.40	64,00	2.50	100,00	3.90	143,00	5.58	195,00	7.61	254,00	9.91
distrib. loading in kg/m (lbs/ft)	426,00	286.23	257,00	172.68	142,00	95.41	89,00	59.80	60,00	40.31	42,00	28.22	31,00	20.83
total distrib. loading in kg (lbs)	1704,00	3756.67	1542,00	3399.52	1136,00	2504.45	890,00	1962.11	720,00	1587.33	588,00	1296.32	496,00	1093.49
deflection in mm (inch)	11,00	0.43	35,00	1.37	62,00	2.42	97,00	3.78	140,00	5.46	191,00	7.45	249,00	9.71

STANDARD LENGTHS AVAILABLE AND WEIGHTS

m (ft)	0,50	1.64	1,00	3.28	1,50	4.92	2,00	6.56	2,50	8.20	3,00	9.84	4,00	13.12	5,00	16.41
Duo-kg (lbs)	1,50	3.31	3,35	7.39	5,00	11.02	6,00	13.23	7,50	16.53	9,00	19.84	12,00	26.46	15,00	33.07
Trio-kg (lbs)	2,25	4.96	4,50	9.92	6,80	14.99	9,00	19.84	11,25	24.8	13,50	29.76	18,00	39.68	22,50	49.60
Quatro-kg (lbs)	2,95	6.50	5,90	13.01	8,90	19.62	11,80	26.01	14,75	32.52	17,70	39.02	23,60	52.03	29,50	65.04

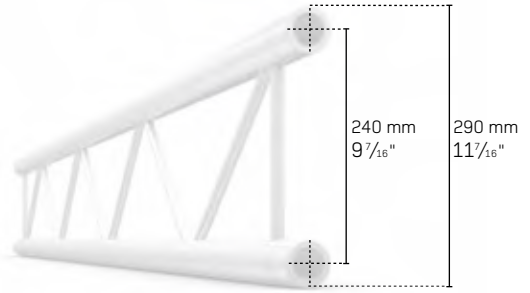
connection material (pins/clips/cons) and packaging not included in above weights

metric data imperial data

point load in kg (lbs)

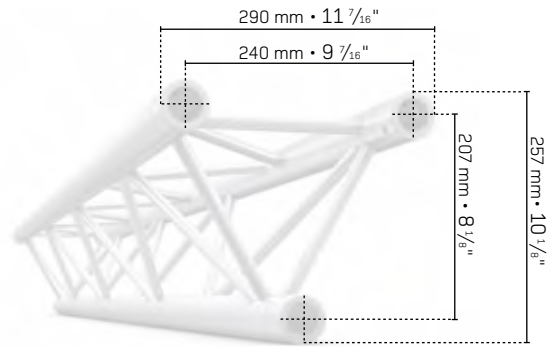
two point load in kg (lbs)

distrib. load (UDL) in kg/m (lbs/ft)



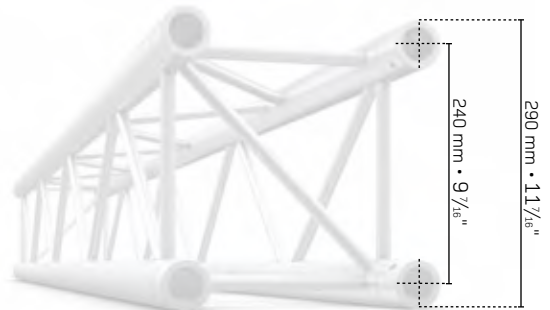
DUO BTB

tubes	50 x 2 mm	2" x 1/42"	braces	16 x 2 mm	5/8" x 1/12"	alloy	EN - AW 6082 T6
-------	-----------	------------	--------	-----------	--------------	-------	-----------------



TRIO STB

tubes	50 x 2 mm	2" x 1/42"	braces	16 x 2 mm	5/8" x 1/12"	alloy	EN - AW 6082 T6
-------	-----------	------------	--------	-----------	--------------	-------	-----------------

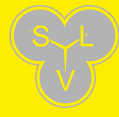


QUATRO QTB

tubes	50 x 2 mm	2" x 1/42"	braces	16 x 2 mm	5/8" x 1/12"	alloy	EN - AW 6082 T6
-------	-----------	------------	--------	-----------	--------------	-------	-----------------

Small size and huge help

QuickTruss® M290V



The M290 system is the mid-size truss line offered in the QuickTruss® family.

QuickTruss® M290V fits nicely in both large and small applications. Available in heavy-duty “V” Range format, it offers great spanning and weight loading capabilities while providing a decorative touch! M290V is perfect for larger spans up to 16 meters (52.5”).

The connection method is the same Conical Connection system used in the M222 Series, just larger in size. QuickTruss® M290V is available in custom lengths and junctions, and can be curved (See Circle Section). It comes in Natural Silver or a wide variety of Powder Coated colors and finishes.

DUO M290V														
Span in m (ft)	4,00	13.12	6,00	19.69	8,00	26.25	10,00	32.81	12,00	39.37	14,00	45.93	16,00	52.50
point load in kg (lbs)	733,00	1615.99	483,00	1064.83	357,00	787.05	280,00	617.29	227,00	500.45	189,00	416.67	160,00	352.74
deflection in mm (inch)	11,00	0.43	25,00	0.98	45,00	1.76	70,00	2.73	102,00	3.98	140,00	5.46	184,00	7.18
two point load in kg (lbs)	422,00	930.35	363,00	800.28	268,00	590.84	210,00	462.97	171,00	376.99	142,00	313.06	120,00	264.55
deflection in mm (inch)	11,00	0.43	32,00	1.25	57,00	2.22	89,00	3.47	128,00	4.99	174,00	6.79	227,00	8.85
distrib. loading in kg/m (lbs/ft)	211,00	141.77	140,00	94.07	89,00	59.80	56,00	37.63	38,00	25.53	27,00	18.14	20,00	13.44
total distrib. loading in kg (lbs)	844,00	1860.70	840,00	1851.88	712,00	1569.69	560,00	1234.59	456,00	1005.31	378,00	833.35	320,00	705.48
deflection in mm (inch)	8,00	0.31	27,00	1.05	56,00	2.18	87,00	3.39	125,00	4.88	170,00	6.63	222,00	8.66

DUO figures are based on use in vertical mode & grid application (i.e. stabilized every 1 m)

TRIO M290V														
Span in m (ft)	4,00	13.12	6,00	19.69	8,00	26.25	10,00	32.81	12,00	39.37	14,00	45.93	16,00	52.50
point load in kg (lbs)	630,00	1388.91	411,00	906.10	299,00	659.18	230,00	507.06	182,00	401.24	146,00	321.87	118,00	260.15
deflection in mm (inch)	10,00	0.39	22,00	0.86	39,00	1.52	61,00	2.38	89,00	3.47	123,00	4.80	163,00	6.36
two point load in kg (lbs)	472,00	1040.58	308,00	679.02	224,00	493.83	172,00	379.19	136,00	299.83	109,00	240.30	88,00	194.01
deflection in mm (inch)	12,00	0.47	27,00	1.05	49,00	1.91	76,00	2.96	110,00	4.29	149,00	5.81	194,00	7.57
distrib. loading in kg/m (lbs/ft)	315,00	211.65	137,00	92.05	75,00	50.39	46,00	30.91	30,00	20.16	21,00	14.11	15,00	10.08
total distrib. loading in kg (lbs)	1260,00	2777.82	822,00	1812.20	600,00	1322.77	460,00	1014.13	360,00	793.66	294,00	648.16	240,00	529.11
deflection in mm (inch)	12,00	0.47	27,00	1.05	48,00	1.87	75,00	2.93	107,00	4.17	146,00	5.69	191,00	7.45

TRIO figures are based on use in apex down orientation

QUATRO M290V														
Span in m (ft)	4,00	13.12	6,00	19.69	8,00	26.25	10,00	32.81	12,00	39.37	14,00	45.93	16,00	52.50
point load in kg (lbs)	1464,00	3227.56	964,00	2125.25	710,00	1565.28	555,00	1223.56	449,00	989.87	371,00	817.91	311,00	685.64
deflection in mm (inch)	11,00	0.43	25,00	0.98	45,00	1.76	71,00	2.77	102,00	3.98	140,00	5.46	185,00	7.22
two point load in kg (lbs)	849,00	1871.72	723,00	1593.94	532,00	1172.86	416,00	917.12	337,00	742.96	278,00	612.88	233,00	513.68
deflection in mm (inch)	11,00	0.43	32,00	1.25	57,00	2.22	89,00	3.47	128,00	4.99	174,00	6.79	227,00	8.85
distrib. loading in kg/m (lbs/ft)	425,00	285.56	281,00	188.80	177,00	118.93	111,00	74.58	75,00	50.39	53,00	35.61	39,00	26.20
total distrib. loading in kg (lbs)	1700,00	3747.85	1686,00	3716.99	1416,00	3121.74	1110,00	2447.13	900,00	1984.16	742,00	1635.83	624,00	1375.68
deflection in mm (inch)	8,00	0.31	27,00	1.05	56,00	2.18	87,00	3.39	125,00	4.88	170,00	6.63	222,00	8.66

STANDARD LENGTHS AVAILABLE AND WEIGHTS

m (ft)	0,50	1.64	1,00	3.28	1,50	4.92	2,00	6.56	2,50	8.20	3,00	9.84	4,00	13.12	5,00	16.41
Duo-kg (lbs)	1,65	3.64	3,85	8.49	5,80	12.79	6,60	14.55	8,00	17.64	9,90	21.83	13,20	29.10	16,50	36.38
Trio-kg (lbs)	2,50	5.51	5,00	11.02	7,50	16.53	10,00	22.05	12,50	27.56	15,00	33.07	20,00	44.09	25,00	55.12
Quatro-kg (lbs)	3,20	7.05	8,00	17.64	11,50	25.35	12,80	28.22	16,00	35.27	19,20	42.33	25,60	56.44	32,00	70.55

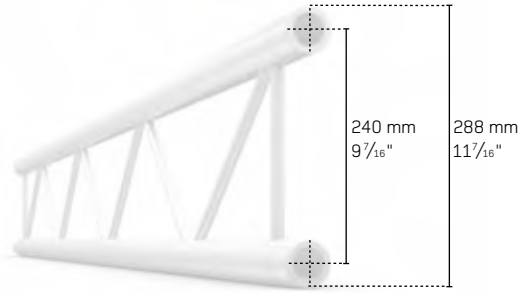
connection material (pins/clips/cons) and packaging not included in above weights

metric data imperial data

point load in kg (lbs)

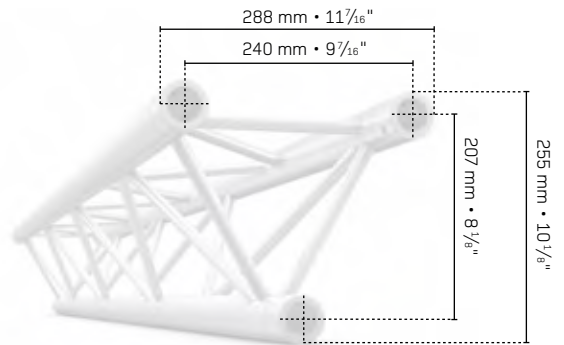
two point load in kg (lbs)

distrib. load (UDL) in kg/m (lbs/ft)



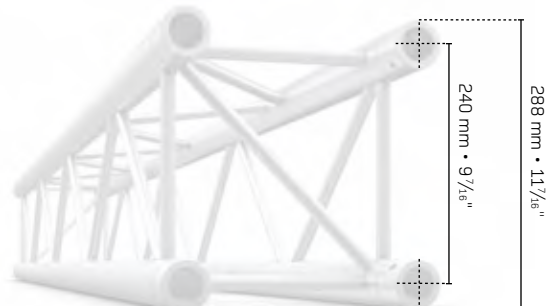
DUO BTV

tubes	48 x 3 mm	1 7/8" x 1/8"	braces	16 x 2 mm	5/8" x 1/12"	alloy	EN - AW 6082 T6
-------	-----------	---------------	--------	-----------	--------------	-------	-----------------



TRIO STV

tubes	48 x 3 mm	1 7/8" x 1/8"	braces	16 x 2 mm	5/8" x 1/12"	alloy	EN - AW 6082 T6
-------	-----------	---------------	--------	-----------	--------------	-------	-----------------



QUATRO QTV

tubes	48 x 3 mm	1 7/8" x 1/8"	braces	16 x 2 mm	5/8" x 1/12"	alloy	EN - AW 6082 T6
-------	-----------	---------------	--------	-----------	--------------	-------	-----------------